

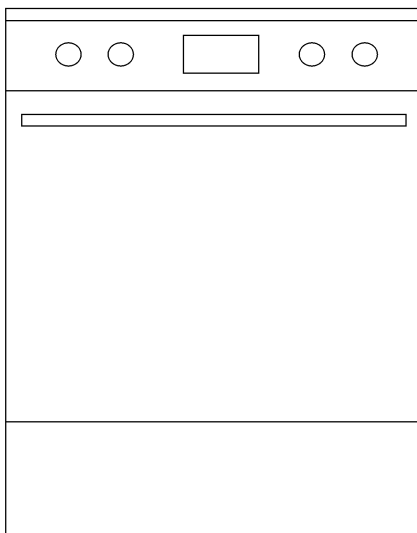
Oven

User Manual

Piekarnik

Instrukcja użytkowania

CSM 62321 D



Please read this user manual first!

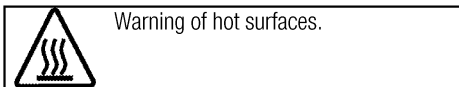
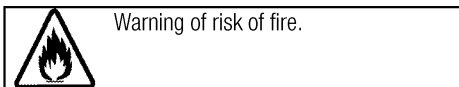
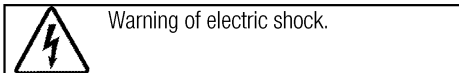
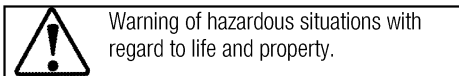
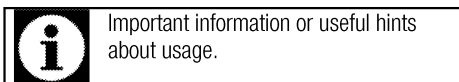
Dear Customer,

Thank you for purchasing this Beko product. We hope that you get the best results from your product which has been manufactured with high quality and state-of-the-art technology. Therefore, please read this entire user manual and all other accompanying documents carefully before using the product and keep it as a reference for future use. If you handover the product to someone else, give the user manual as well. Follow all warnings and information in the user manual.

Remember that this user manual is also applicable for several other models. Differences between models will be identified in the manual.

Explanation of symbols

Throughout this user manual the following symbols are used:



Arçelik A.Ş.

Karaağaç caddesi No:2-6
34445 Söğütözü/İstanbul/TURKEY

Made in TURKEY



This product was manufactured using the latest technology in environmentally friendly conditions.

TABLE OF CONTENTS

1 Important instructions and warnings for safety and environment 4

General safety.....	4
Safety when working with gas.....	4
Electrical safety.....	5
Product safety.....	6
Intended use.....	8
Safety for children.....	8
Disposing of the old product.....	8
Package information.....	9
Future Transportation.....	9

2 General information 10

Overview.....	10
Package contents.....	11
Technical specifications.....	12
Injector table.....	12

3 Installation 13

Before installation.....	13
Installation and connection.....	14
Gas conversion.....	15

4 Preparation 17

Tips for saving energy.....	17
Initial use.....	17
Time setting.....	17
First cleaning of the appliance.....	18

Initial heating.....	18
----------------------	----

5 How to use the hob 19

General information about cooking.....	19
Using the hobs.....	19

6 How to operate the oven 21

General information on baking, roasting and grilling.....	21
How to operate the electric oven.....	21
Operating modes.....	22
Using the oven clock.....	23
Using the keylock.....	24
Using the clock as an alarm.....	24
Cooking times table.....	25
How to operate the grill.....	26
Cooking times table for grilling.....	27

7 Maintenance and care 28

General information.....	28
Cleaning the hob.....	28
Cleaning the control panel.....	28
Cleaning the oven.....	28
Removing the oven door.....	29
Replacing the oven lamp.....	29

8 Troubleshooting 30

1 Important instructions and warnings for safety and environment

This section contains safety instructions that will help protect from risk of personal injury or property damage. Failure to follow these instructions shall void any warranty.

General safety

- This appliance can be used by children aged from 8 years and above and persons with reduced physical, sensory or mental capabilities or lack of experience and knowledge if they have been given supervision or instruction concerning use of the appliance in a safe way and understand the hazards involved.

Children shall not play with the appliance. Cleaning and user maintenance shall not be made by children without supervision.

- Never place the product on a carpet-covered floor. Otherwise, lack of airflow beneath the product will cause electrical parts to overheat. This will cause problems with your product.
- Installation and repair procedures must always be performed by Authorized Service Agents. The manufacturer shall not be held responsible for damages arising from procedures carried out by unauthorized persons which may

also void the warranty. Before installation, read the instructions carefully.

- Do not operate the product if it is defective or has any visible damage.
- Ensure that the product function knobs are switched off after every use.

Safety when working with gas

- Any works on gas equipment and systems may only be carried out by authorised qualified persons who are Gas Safe registered.
- Prior to the installation, ensure that the local distribution conditions (nature of the gas and gas pressure) and the adjustment of the appliance are compatible.
- This appliance is not connected to a combustion products or evacuation device. It shall be installed and connected in accordance with current installation regulations. Particular attention shall be given to the relevant requirements regarding ventilation; See *Before installation*, page 13
- The use of gas cooking appliance results in the production of heat and moisture in the room in which it is installed. Ensure that the

kitchen is well ventilated: keep natural ventilation holes open or install a mechanical ventilation device (mechanical extractor hood). Prolonged intensive use of the appliance may call for additional ventilation, for example increasing the level of the mechanical ventilation where present.

- Gas appliances and systems must be regularly checked for proper functioning. Regulator, hose and its clamp must be checked regularly and replaced within the periods recommended by its manufacturer or when necessary.
- Clean the gas burners regularly. The flames should be blue and burn evenly.
- Good combustion is required in gas appliances. In case of incomplete combustion, carbon monoxide (CO) might develop. Carbon monoxide is a colourless, odourless and very toxic gas, which has a lethal effect even in very small doses.
- Request information about gas emergency telephone numbers and safety measures in case of gas smell from you local gas provider.

What to do when you smell gas

- Do not use open flame or do not smoke. Do not operate any

electrical buttons (e.g. lamp button, door bell and etc.) Do not use fixed or mobile phones. Risk of explosion and toxication!

- Open doors and windows.
- Turn off all valves on gas appliances and gas meter at the main control valve, unless it's in a confined space or cellar.
- Check all tubes and connections for tightness. If you still smell gas leave the property.
- Warn the neighbours.
- Call the fire-brigade. Use a telephone outside the house.
- Do not re-enter the property until you are told it is safe to do so.

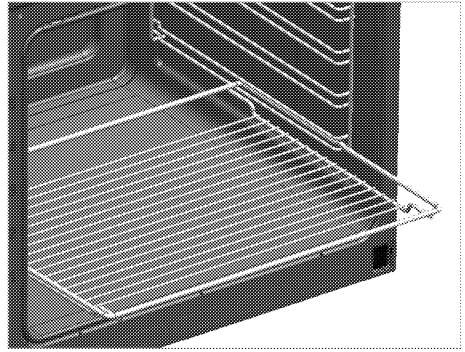
Electrical safety

- If the product has a failure, it should not be operated unless it is repaired by an Authorized Service Agent. There is the risk of electric shock!
- Only connect the product to a grounded outlet/line with the voltage and protection as specified in the "Technical specifications". Have the grounding installation made by a qualified electrician while using the product with or without a transformer. Our company shall not be liable for any problems arising due to the product not being earthed in accordance with the local regulations.

- Never wash the product by spreading or pouring water onto it! There is the risk of electric shock!
 - Never touch the plug with wet hands! Never unplug by pulling on the cable, always pull out by grabbing the plug.
 - The product must be disconnected during installation, maintenance, cleaning and repairing procedures.
 - If the power connection cable for the product is damaged, it must be replaced by the manufacturer, its service agent or similarly qualified persons in order to avoid a hazard.
 - The appliance must be installed so that it can be completely disconnected from the mains supply. The separation must be provided by a switch built into the fixed electrical installation, according to construction regulations.
 - Rear surface of the oven gets hot when it is in use. Make sure that the gas/electrical connection does not contact the rear surface; otherwise, connections can get damaged.
 - Do not trap the mains cable between the oven door and frame and do not route it over hot surfaces. Otherwise, cable insulation may melt and cause fire as a result of short circuit.
 - Any work on electrical equipment and systems should only be carried out by authorized and qualified persons.
 - In case of any damage, switch off the product and disconnect it from the mains. To do this, turn off the fuse at home.
 - Make sure that fuse rating is compatible with the product.
- Product safety**
- The appliance and its accessible parts become hot during use. Care should be taken to avoid touching heating elements. Children less than 8 years of age shall be kept away unless continuously supervised.
 - Never use the product when your judgment or coordination is impaired by the use of alcohol and/or drugs.
 - Be careful when using alcoholic drinks in your dishes. Alcohol evaporates at high temperatures and may cause fire since it can ignite when it comes into contact with hot surfaces.
 - Do not place any flammable materials close to the product as the sides may become hot during use.
 - During use the appliance becomes hot. Care should be

taken to avoid touching heating elements inside the oven.

- Keep all ventilation slots clear of obstructions.
- Do not heat closed tins and glass jars in the oven. The pressure that would build-up in the tin/jar may cause it to burst.
- Do not place baking trays, dishes or aluminium foil directly onto the bottom of the oven. The heat accumulation might damage the bottom of the oven.
- Do not use harsh abrasive cleaners or sharp metal scrapers to clean the oven door glass since they can scratch the surface, which may result in shattering of the glass.
- Do not use steam cleaners to clean the appliance as this may cause an electric shock.
- **Placing the wire shelf and tray onto the wire racks properly**
It is important to place the wire shelf and/or tray onto the rack properly. Slide the wire shelf or tray between 2 rails and make sure that it is balanced before placing food on it (Please see the following figure).



- Do not use the product if the front door glass removed or cracked.
- Do not use the oven handle to hang towels for drying. Do not hang up towel, gloves, or similar textile products when the grill function is at open door.
- Always use heat resistant oven gloves when putting in or removing dishes into/from the hot oven.
- Ensure that the appliance is switched off before replacing the lamp to avoid the possibility of electric shock.
- Do not close the top cover before the hotplates or burners cool down.
Wipe the top cover dry before opening it in order to avoid water leakage to the rear and inner sections of the oven.
- Unattended cooking on a hob with fat or oil can be dangerous and may result in fire. NEVER try to extinguish a fire with water, but switch off the appliance and then

cover flame e.g. with a lid or a fire blanket.

- Danger of fire: Do not store items on the cooking surfaces.

Prevention against possible fire risk!

- Ensure all electrical connections are secure and tight to prevent risk of arcing.
- Do not use damaged cables or extension cables.
- Ensure liquid or moisture is not accessible to the electrical connection point.
- To prevent gas leakage ensure that the gas connection is sound.

Intended use

- This product is designed for domestic use. Commercial use will void the guarantee.
- This appliance is for cooking purposes only. It must not be used for other purposes, for example room heating.
- This product should not be used for warming the plates under the grill, drying towels, dish cloths etc. by hanging them on the oven door handles. This product should also not be used for room heating purposes.
- The manufacturer shall not be liable for any damage caused by improper use or handling errors.
- The oven can be used for defrosting, baking, roasting and grilling food.

Safety for children

- Accessible parts may become hot during use. Young children should be kept away.
- The packaging materials will be dangerous for children. Keep the packaging materials away from children. Please dispose of all parts of the packaging according to environmental standards.
- Electrical and/or gas products are dangerous to children. Keep children away from the product when it is operating and do not allow them to play with the product.
- Do not place any items above the appliance that children may reach for.
- When the door is open, do **not** load any heavy object on it and do **not** allow children to sit on it. It may overturn or door hinges may get damaged.

Disposing of the old product

Compliance with the WEEE Directive and Disposing of the Waste Product:



This product complies with EU WEEE Directive (2012/19/EU). This product bears a classification symbol for waste electrical and electronic equipment (WEEE).

This product has been manufactured with high quality parts and materials which can be reused and are suitable for recycling. Do not dispose of the waste product with normal domestic and other wastes at the end of its service life. Take it to the collection center for the recycling of electrical and electronic equipment. Please consult your local authorities to learn about these collection centers.

Compliance with RoHS Directive:



The product you have purchased complies with EU RoHS Directive (2011/65/EU). It does not contain harmful and prohibited materials specified in the Directive.

Package information

- Packaging materials of the product are manufactured from recyclable materials in accordance with our National Environment Regulations. Do not dispose of the packaging materials together with the domestic or other wastes. Take them to the packaging material collection points designated by the local authorities.

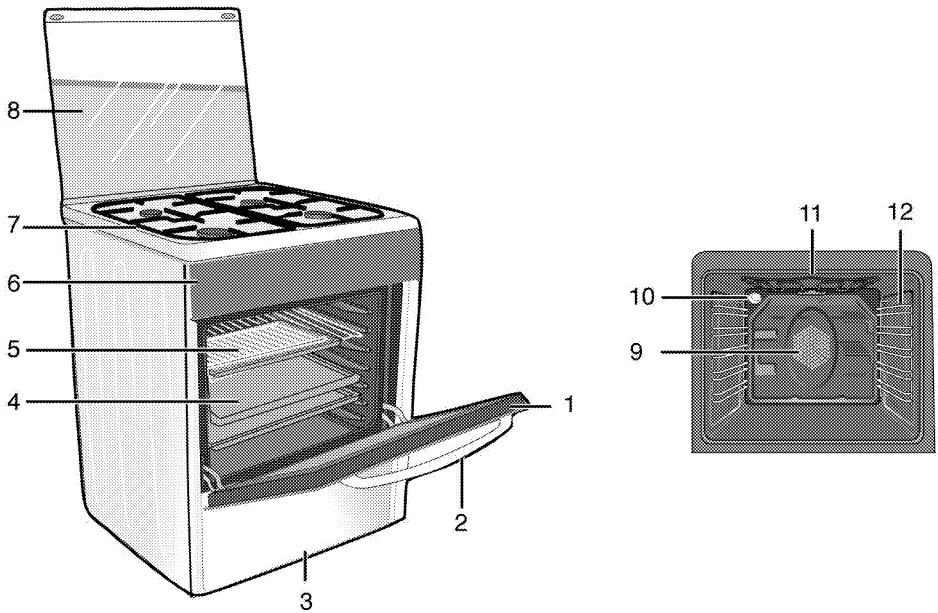
Future Transportation

- Keep the product's original carton and transport the product in it. Follow the instructions on the carton. If you do not have the original carton, pack the product in bubble wrap or thick cardboard and tape it securely.
- To prevent the wire grill and tray inside the oven from damaging the oven door, place a strip of cardboard onto the inside of the oven door that lines up with the position of the trays. Tape the oven door to the side walls.
- Secure the caps and pan supports with adhesive tape.
- Do not use the door or handle to lift or move the product.

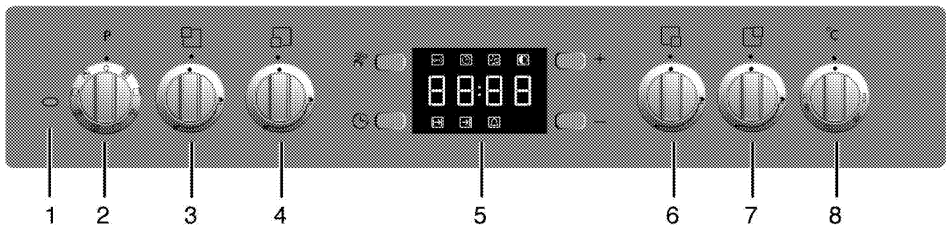
	Do not place any objects onto the product and move it in upright position.
	Check the general appearance of your product for any damages that might have occurred during transportation.

2 General information

Overview



- | | | | |
|---|---------------|----|--------------------------------|
| 1 | Front door | 7 | Burner plate |
| 2 | Handle | 8 | Top lid |
| 3 | Bottom drawer | 9 | Fan motor (behind steel plate) |
| 4 | Tray | 10 | Lamp |
| 5 | Wire shelf | 11 | Grill heating element |
| 6 | Control panel | 12 | Shelf positions |



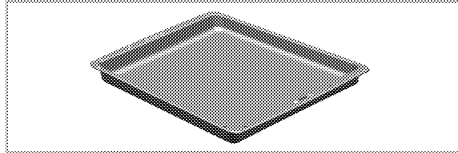
- | | |
|---|------------------------------|
| 1 | Thermostat lamp |
| 2 | Function knob |
| 3 | Normal burner Rear left |
| 4 | Rapid burner Front left |
| 5 | Digital timer |
| 6 | Auxiliary burner Front right |
| 7 | Normal burner Rear right |
| 8 | Thermostat knob |

Package contents

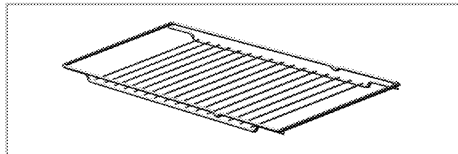


Accessories supplied can vary depending on the product model. Not every accessory described in the user manual may exist on your product.

1. **User manual**
2. **Oven tray**
Used for pastries, frozen foods and big roasts.



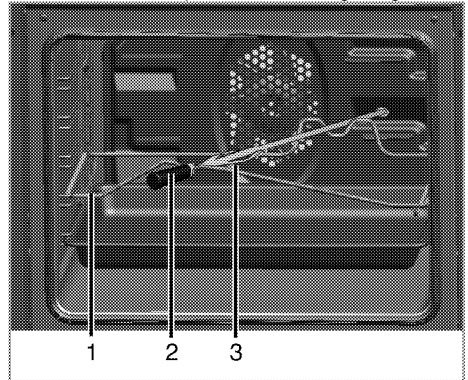
3. **Wire Shelf**
Used for roasting and for placing the food to be baked, roasted or cooked in casserole dishes to the desired rack.



4. Rotisserie chicken

Used to grill meat, poultry and fish evenly from all sides.

- Fix the food to be grilled to the turn spit with the forks.
- Place the turn spit frame into the oven by aligning it with the turn spit driver.
- Insert the sharp edge of the turn spit into the turn spit driver and place the turn spit onto the turn spit frame.
- Remove the spit handle while grilling.



- 1 Turn spit frame
- 2 Plastic handle
- 3 Fork

Technical specifications

GENERAL	
External dimensions (height / width / depth)	850 mm/600 mm/600 mm
Voltage / frequency	220-240 V ~ 50 Hz
Total power consumption	2.4 kW
Fuse	min. 16 A
Cable type / section	H05VV-FG 3 x 1,5 mm ²
Cable length	max. 2 m
Category of gas product	Kat II 2ELs3B/P
Gas type / pressure	2E (G20)/20 mbar
Total gas consumption	7.9 kW
Converting the gas type / pressure ^s	2Ls (G2.350)/13 mbar
– optional	3B/P (G30)/37 mbar
HOB	
Burners	
Rear left	Normal burner
Power	2 kW
Front left	Rapid burner
Power	2.9 kW
Front right	Auxiliary burner
Power	1 kW
Rear right	Normal burner
Power	2 kW
OVEN/GRILL	
Main oven	Multifunction oven
Inner lamp	15–25 W
Grill power consumption	2.2 kW

Basics: Information on the energy label of electrical ovens is given in accordance with the EN 60350-1 / IEC 60350-1 standard. Those values are determined under standard load with bottom-top heater or fan assisted heating (if any) functions.

Energy efficiency class is determined in accordance with the following prioritization depending on whether the relevant functions exist on the product or not. 1-Cooking with eco-fan, 2- Turbo slow cooking, 3- Turbo cooking, 4- Fan assisted bottom/top heating, 5-Top and bottom heating.



Technical specifications may be changed without prior notice to improve the quality of the product.



Figures in this manual are schematic and may not exactly match your product.



Values stated on the product labels or in the documentation accompanying it are obtained in laboratory conditions in accordance with relevant standards. Depending on operational and environmental conditions of the product, these values may vary.

Injector table

Position hob zone	2 kW Rear left	2.9 kW Front left	1 kW Front right	2 kW Rear right
Gas type / Gas pressure				
2E (G20)/20 mbar	103	115	72	103
3B/P (G30)/37 mbar	66	80	47	66
2Ls (G2.350)/13mbar	131	165	95	131

3 Installation

Product must be installed by a qualified person in accordance with the regulations in force. The manufacturer shall not be held responsible for damages arising from procedures carried out by unauthorized persons which may also void the warranty.



Preparation of location and electrical and gas installation for the product is under customer's responsibility.



DANGER:

The product must be installed in accordance with all local gas and/or electrical regulations.



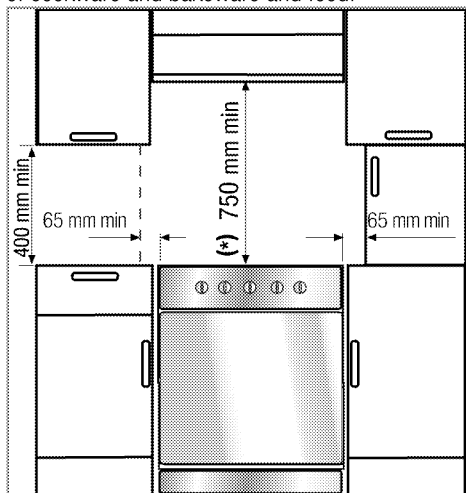
DANGER:

Prior to installation, visually check if the product has any defects on it. If so, do not have it installed.
Damaged products cause risks for your safety.

Before installation

To ensure that critical air gaps are maintained under the appliance, we recommend that this appliance is mounted on a solid base and that the feet do not sink into any carpet or soft flooring.

The kitchen floor must be able to carry the weight of the appliance plus the additional weight of cookware and bakeware and food.

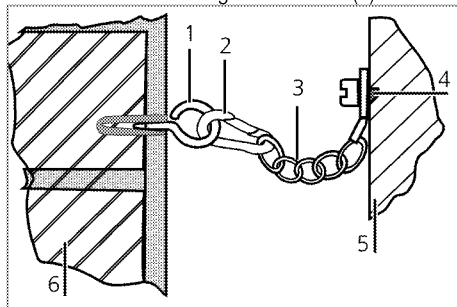


- It can be used with cabinets on either side but in order to have a minimum distance of 400mm above hotplate level allow a side clearance of 65mm between the appliance and any wall, partition or tall cupboard.
- It can also be used in a free standing position. Allow a minimum distance of 750 mm above the hob surface.
- (*) If a cooker hood is to be installed above the cooker, refer to cooker hood manufacturer' instructions regarding installation height (min 650 mm).
- The appliance corresponds to device class 1, i.e. it may be placed with the rear and **one** side to kitchen walls, kitchen furniture or equipment of any size. The kitchen furniture or equipment on the **other** side may only be of the same size or smaller.
- Any kitchen furniture next to the appliance must be heat-resistant (100 °C min.).

Safety chain

The appliance must be secured against overbalancing by using the supplied two safety chains on your oven.

Fasten hook (1) by using a proper peg to the kitchen wall (6) and connect safety chain (3) to the hook via the locking mechanism (2).



- 1 Stability hook
- 2 Locking mechanism
- 3 Safety chain (supplied and mounted to oven)
- 4 Firmly fix chain to cooker rear
- 5 Rear of cooker
- 6 Kitchen wall



Stability chain to be as short as practicable to avoid oven tilting forward and diagonal to avoid oven side tilting.

Cooker stability chain for cookers not designed with bracket engagement slot.

Room ventilation

All rooms require an openable window, or equivalent, and some rooms will require a permanent vent as well.

The air for combustion is taken from the room air and the exhaust gases are emitted directly into the room.

Good room ventilation is essential for safe operation of your appliance. If there is no window or door available for room ventilation, an extra ventilation must be installed.

The appliance may be located in a kitchen, kitchen/diner or a bed-sitting room, but not in a room containing a bath or shower. The appliance must not be installed in a bed-sitting room of less than 20m³.

Do not install this appliance in a room below ground level unless it is open to ground level on at least one side.

Room size	Ventilation opening
smaller than 5 m ³	min. 100 cm ²
5 m ³ to 10 m ³	min. 50 cm ²
greater than 10 m ³	not required
In the cellar or basement	min. 65 cm ²

Installation and connection

Product can only be installed and connected in accordance with the statutory installation rules.



Do not install the product next to refrigerators or freezers. The heat emitted by the product will increase the energy consumption of cooling appliances.

- Carry the product with at least two persons.
- Product must be placed directly on the floor. It must not be placed onto a base or a pedestal.



Do not use the door and/or handle to carry or move the product. The door, handle or hinges get damaged.

Electrical connection

Connect the product to a grounded outlet/line protected by a fuse of suitable capacity as stated in the "Technical specifications" table. Have the grounding installation made by a qualified electrician while using the product with or without a transformer. Our company shall not be liable for any damages that will arise due to using the product without a grounding installation in accordance with the local regulations.



DANGER:

The product must be connected to the mains supply only by an authorised and qualified person. The product's warranty period starts only after correct installation. Manufacturer shall not be held responsible for damages arising from procedures carried out by unauthorised persons.



DANGER:

The power cable must not be clamped, bent or trapped or come into contact with hot parts of the product.
A damaged power cable must be replaced by a qualified electrician. Otherwise, there is risk of electric shock, short circuit or fire!

The mains supply data must correspond to the data specified on the type label of the product. The rating plate is either seen when the door or the lower cover is opened or it is located at the rear wall of the unit depending on the unit type. Power cable of your product must comply with the values in "Technical specifications" table.



Power cable plug must be within easy reach after installation (do not route it above the hob).



DANGER:

Before starting any work on the electrical installation, disconnect the product from the mains supply.
There is the risk of electric shock!

Plug the power cable into the socket.

Gas connection



DANGER:

Product can be connected to gas supply system only by an authorised and qualified person or technician with licence.

Risk of explosion or toxication due to unprofessional repairs!

Manufacturer shall not be held responsible for damages arising from procedures carried out by unauthorised or unlicensed persons.



DANGER:

Before starting any work on the gas installation, disconnect the gas supply. There is the risk of explosion!

- Gas adjustment conditions and values are stated on labels (or ion type label).



Your product is equipped for natural gas (NG).

- Natural gas installation must be prepared before installing the product.
- There must be a flex pipe at the outlet of the installation for the natural gas connection of your product and the tip of this pipe must be closed with a blind plug. Service Representative will remove the blind plug during connection and connect your product by means of a straight connection device (coupling).
- Make sure that the natural gas valve is readily accessible.
- If you need to use your product later with a different type of gas, you must consult the Authorised Service Agent for the related conversion procedure.



DANGER:

The gas hose must not be clamped, bent or trapped or come into contact with hot parts of the product.

There is the risk of explosion due to damaged gas hose.

- Push the product towards the kitchen wall.
- **Adjusting the feet of oven**
Vibrations during use may cause cooking vessels to move. This dangerous situation

can be avoided if the product is level and balanced.

For your own safety please ensure the product is level by adjusting the four feet at the bottom by turning left or right and align level with the work top.

Final check

1. Check electrical functions.
2. Open gas supply.
3. Check gas installations for secure fitting and tightness.
4. Ignite burners and check appearance of the flame.



Flame must be blue and have a regular shape. If the flame is yellowish, check if the burner cap is seated securely or clean the burner.

Gas conversion



DANGER:

Before starting any work on the gas installation, disconnect the gas supply. There is the risk of explosion!

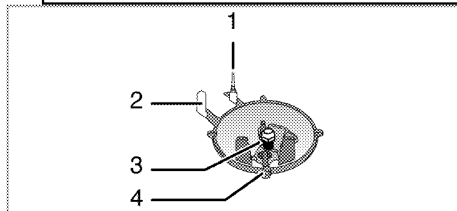
In order to change your appliance's gas type, change all injectors and make flame adjustment for all valves at reduced flow rate position.

Exchange of injector for the burners

1. Take off burner cap and burner body.
2. Unscrew injectors by turning the counter-clockwise.
3. Fit new injectors.
4. Check all connections for secure fitting and tightness.



New injectors have their position marked on their packing or injector table on *Injector table, page 12* can be referred to.



- 1 Flame failure device (model dependant)

- 2 Spark plug
- 3 Injector
- 4 Burner

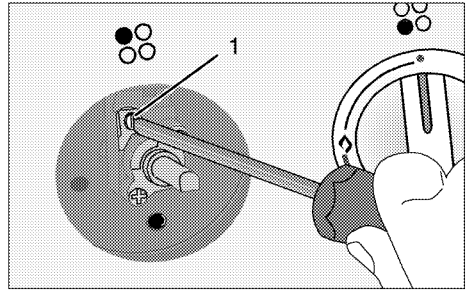


Unless there is an abnormal condition, do not attempt to remove the gas burner taps. You must call an Authorised service agent if it is necessary to change the taps.

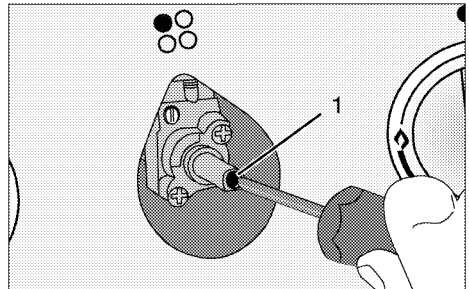
Reduced gas flow rate setting for hob taps

1. Ignite the burner that is to be adjusted and turn the knob to the reduced position.
 2. Remove the knob from the gas tap.
 3. Use an appropriately sized screwdriver to adjust the flow rate adjustment screw.
- For LPG (Butane - Propane) turn the screw clockwise. For the natural gas, you should turn the screw **counter-clockwise** once.
- » The normal length of a straight flame in the reduced position should be 6-7 mm.
4. If the flame is higher than the desired position, turn the screw clockwise. If it is smaller turn anticlockwise.
 5. For the last control, bring the burner both to high-flame and reduced positions and check whether the flame is on or off.

Depending on the type of gas tap used in your appliance the adjustment screw position may vary.



1 Flow rate adjustment screw



1 Flow rate adjustment screw



If the gas type of the unit is changed, then the rating plate that shows the gas type of the unit must also be changed.

4 Preparation

Tips for saving energy

The following information will help you to use your appliance in an ecological way, and to save energy:

- Use dark coloured or enamel coated cookware in the oven since the heat transmission will be better.
- While cooking your dishes, perform a preheating operation if it is advised in the user manual or cooking instructions.
- Do not open the door of the oven frequently during cooking.
- Try to cook more than one dish in the oven at the same time whenever possible. You can cook by placing two cooking vessels onto the wire shelf.
- Cook more than one dish one after another. The oven will already be hot.
- You can save energy by switching off your oven a few minutes before the end of the cooking time. Do not open the oven door.
- Defrost frozen dishes before cooking them.
- Use pots/pans with cover for cooking. If there is no cover, energy consumption may increase 4 times.
- Select the burner which is suitable for the bottom size of the pot to be used. Always select the correct pot size for your dishes. Larger pots require more energy.

Initial use

Time setting

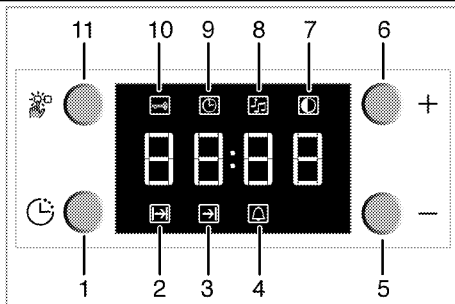


Before you can use the oven, the time must be set. If the time is not set, oven will not operate.



While making any adjustment, related symbols on the clock will flash.

Press „-“ or „+“ (5/6) keys to set the time after the oven is energized for the first time.



- 1 Program key
- 2 Cooking time
- 3 End of cooking time
- 4 Alarm symbol
- 5 Minus key
- 6 Plus key
- 7 Screen brightness setting
- 8 Alarm volume
- 9 Current time
- 10 Keylock
- 11 Adjustment key

After setting the time, you can start and end the cooking by selecting the desired position with temperature button and function button.



If the current time is not set, time setting will start increasing/moving up from **12:00**. Clock symbol '9' will be displayed to indicate that the current time has not been set. This symbol will disappear once the time is set.



Current time settings are cancelled in case of power failure. It needs to be readjusted.

To change the time of the day you have previously set:

1. Press (11) key to activate current time symbol '9'.
2. Press „-“ or „+“ (5/6) keys to set the current time.

Changing screen brightness adjustment

1. Press (11) key to activate screen brightness symbol '7' for screen brightness adjustment.

2. Press '-' or '+' (5/6) keys to set the desired brightness.

» Selected brightness level will appear as **d-01**, **d-02** or **d-03** on the display.

First cleaning of the appliance



The surface might get damaged by some detergents or cleaning materials.

Do not use aggressive detergents, cleaning powders/creams or any sharp objects during cleaning.

Do not use harsh abrasive cleaners or sharp metal scrapers to clean the oven door glass since they can scratch the surface, which may result in shattering of the glass.

1. Remove all packaging materials.
2. Wipe the surfaces of the appliance with a damp cloth or sponge and dry with a cloth.

Initial heating

Heat up the product for about 30 minutes and then switch it off. Thus, any production residues or layers will be burnt off and removed.



WARNING

Hot surfaces cause burns!

Product may be hot when it is in use. Never touch the hot burners, inner sections of the oven, heaters and etc. Keep children away. Always use heat resistant oven gloves when putting in or removing dishes into/from the hot oven.

Electric oven

1. Take all baking trays and the wire grill out of the oven.
2. Close the oven door.
3. Select Static position.
4. Select the highest oven power; See *How to operate the electric oven, page 21*.
5. Operate the oven for about 30 minutes.
6. Turn off your oven; See *How to operate the electric oven, page 21*

Grill oven

1. Take all baking trays and the wire grill out of the oven.
2. Close the oven door.
3. Select the highest grill power; see *How to operate the grill, page 26*.
4. Operate the grill about 30 minutes.
5. Turn off your grill; see *How to operate the grill, page 26*



Smoke and smell may emit for a couple of hours during the initial operation. This is quite normal. Ensure that the room is well ventilated to remove the smoke and smell. Avoid directly inhaling the smoke and the smell that emits.

5 How to use the hob

General information about cooking



Never fill the pan with oil more than one third of it. Do not leave the hob unattended when heating oil. Overheated oils bring risk of fire. **Never attempt to extinguish a possible fire with water!** When oil catches fire, cover it with a fire blanket or damp cloth. Turn off the hob if it is safe to do so and call the fire department.

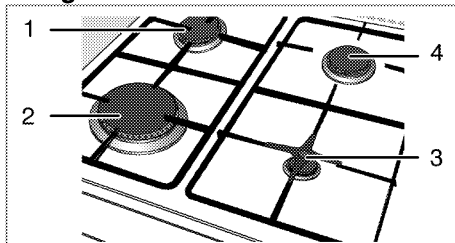
- Before frying foods, always dry them well and gently place into the hot oil. Ensure complete thawing of frozen foods before frying.
- Do not cover the vessel you use when heating oil.
- Place the pans and saucepans in a manner so that their handles are not over the hob to prevent heating of the handles. Do not place unbalanced and easily tilting vessels on the hob.
- Do not place empty vessels and saucepans on cooking zones that are switched on. They might get damaged.
- Operating a cooking zone without a vessel or saucepan on it will cause damage to the product. Turn off the cooking zones after the cooking is complete.
- As the surface of the product can be hot, do not put plastic and aluminum vessels on it. Such vessels should not be used to keep foods either.
- Use flat bottomed saucepans or vessels only.
- Put appropriate amount of food in saucepans and pans. Thus, you will not have to make any unnecessary cleaning by preventing the dishes from overflowing. Do not put covers of saucepans or pans on cooking zones. Place the saucepans in a manner so that they are centered on the cooking zone. When you want to move the saucepan onto another cooking zone, lift and place it onto

the cooking zone you want instead of sliding it.

Gas cooking

- Size of the vessel and the flame must match each other. Adjust the gas flames so that they will not extend the bottom of the vessel and center the vessel on saucepan carrier.

Using the hobs



- 1 Normal burner 18-20 cm
- 2 Rapid burner 22-24 cm
- 3 Auxiliary burner 12-18 cm
- 4 Normal burner 18-20 cm is list of advised diameter of pots to be used on related burners.

Large flame symbol indicates the highest cooking power and small flame symbol indicates the lowest cooking power. In turned off position (top), gas is not supplied to the burners.

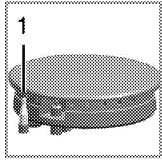
Igniting the gas burners

1. Keep burner knob pressed.
 2. Turn it counter clockwise to large flame symbol.
- » Gas is ignited with the spark created.
3. Adjust it to the desired cooking power.

Turning off the gas burners

Turn the knob to off (upper) position.

Gas shut off safety system (in models with thermic component)



1. Gas shut off safety

As a counter measure against blow out due to fluid overflows at burners, safety mechanism trips and shuts off the gas.

- Push the knob inwards and turn it counter clockwise to ignite.

- After the gas ignites, keep the knob pressed for 3-5 seconds more to engage the safety system.
- If the gas does not ignite after you press and release the knob, repeat the same procedure by keeping the knob pressed for 15 seconds.



DANGER:

Release the button if the burner is not ignited within 15 seconds.

Wait at least 1 minute before trying again.

There is the risk of gas accumulation and explosion!

6 How to operate the oven

General information on baking, roasting and grilling



WARNING

Hot surfaces cause burns!

Product may be hot when it is in use. Never touch the hot burners, inner sections of the oven, heaters and etc. Keep children away. Always use heat resistant oven gloves when putting in or removing dishes into/from the hot oven.



DANGER:

Be careful when opening the oven door as steam may escape. Exiting steam can scald your hands, face and/or eyes.

Tips for baking

- Use non-sticky coated appropriate metal plates or aluminum vessels or heat-resistant silicone moulds.
- Make best use of the space on the rack.
- Place the baking mould in the middle of the shelf.
- Select the correct rack position before turning the oven or grill on. Do not change the rack position when the oven is hot.
- Keep the oven door closed.

Tips for roasting

- Treating whole chicken, turkey and large piece of meat with dressings such as lemon juice and black pepper before cooking will increase the cooking performance.
- It takes about 15 to 30 minutes longer to roast meat with bones when compared to roasting the same size of meat without bones.
- Each centimeter of meat thickness requires approximately 4 to 5 minutes of cooking time.
- Let meat rest in the oven for about 10 minutes after the cooking time is over. The juice is better distributed all over the roast and does not run out when the meat is cut.
- Fish should be placed on the middle or lower rack in a heat-resistant plate.

Tips for grilling

When meat, fish and poultry are grilled, they quickly get brown, have a nice crust and do not get dry. Flat pieces, meat skewers and sausages are particularly suited for grilling as are vegetables with high water content such as tomatoes and onions.

- Distribute the pieces to be grilled on the wire shelf or in the baking tray with wire shelf in such a way that the space covered does not exceed the size of the heater.
- Slide the wire shelf or baking tray with grill into the desired level in the oven. If you are grilling on the wire shelf, slide the baking tray to the lower rack to collect fats. Add some water in the tray for easy cleaning.



Foods that are not suitable for grilling carry the risk of fire. Only grill food which is suitable for intensive grilling heat.

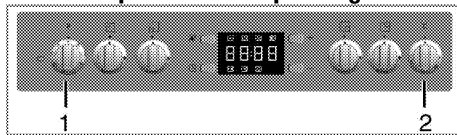
Do not place the food too far in the back of the grill. This is the hottest area and fatty food may catch fire.

How to operate the electric oven



Before you can use the oven, the time must be set. If the time is not set, oven will not operate.

Select temperature and operating mode



1 Function knob

2 Thermostat knob

1. Set the Temperature knob to the desired temperature.
2. Set the Function knob to the desired operating mode.

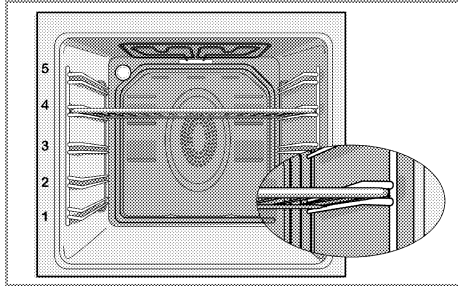
» Oven heats up to the adjusted temperature and maintains it. During heating, temperature lamp stays on.

Switching off the electric oven

Turn the function knob and temperature knob to off (upper) position.

Rack positions (For models with wire shelf)

It is important to place the wire shelf onto the side rack correctly. Wire shelf must be inserted between the side racks as illustrated in the figure. Do not let the wire shelf stand against the rear wall of the oven. Slide your wire shelf to the front section of the rack and settle it with the help of the door in order to obtain a good grill performance.



Operating modes

The order of operating modes shown here may be different from the arrangement on your product.

Top and bottom heating



Top and bottom heating are in operation. Food is heated simultaneously from the top and bottom. For example, it is suitable for cakes, pastries, or cakes and casseroles in baking moulds. Cook with one tray only.

Bottom heating



Only bottom heating is in operation. It is suitable for pizza and for subsequent browning of food from the bottom.

Fan supported bottom/top heating



Top heating, bottom heating plus fan (in the rear wall) are in operation. Hot air is evenly distributed throughout the oven rapidly by means of the fan. Cook with one tray only.

Operating with fan



The oven is not heated. Only the fan (in the rear wall) is in operation. Suitable for thawing frozen granular food slowly at room temperature and cooling down the cooked food.

Fan Heating



Warm air heated by the rear heater is evenly distributed throughout the oven rapidly by means of the fan. It is suitable for cooking your meals in different rack levels and preheating is not required in most cases. Suitable for cooking with multi trays.

"3D" function



Top heating, bottom heating and fan assisted heating (in the rear wall) are in operation. Food is cooked evenly and quickly all around. Cook with one tray only.

Grill+Fan



Grilling effect is not as strong as in Full Grill

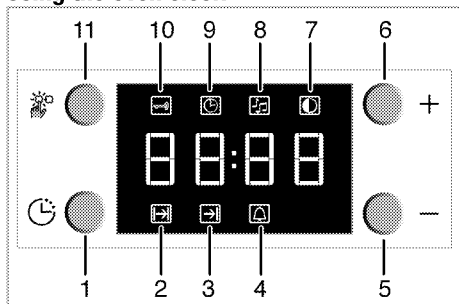
- Put small or medium-sized portions in correct shelf position under the grill heater for grilling.
- Set the desired temperature.
- Turn the food after half of the grilling time.

Full grill with turnspit







Full grill and turnspit are in operation. It is suitable for grilling and making rotisserie with large pieces of meat.

Using the oven clock



- 1 Program key
- 2 Cooking time
- 3 End of cooking time
- 4 Alarm symbol
- 5 Minus key
- 6 Plus key
- 7 Screen brightness setting
- 8 Alarm volume
- 9 Current time
- 10 Keylock
- 11 Adjustment key

	Maximum time that can be set for end of cooking is 5 hours 59 minutes. Program will be cancelled in case of power failure. You must reprogram the oven.
	While making any adjustments, related symbols will flash on the display. You must wait for a short time for the settings to take effect.
	If no cooking setting is made, time of the day cannot be set.
	Cooking time will be displayed once the cooking starts.

Cooking by specifying the cooking time:

You can set the oven so that it will stop at the end of the specified time by setting the cooking time on the clock.

1. To adjust the cooking time, Press Program key (1) and activate the Cooking Time symbol (2).
2. Press '-' / '+' (5/6) keys to set the cooking time.

» Once the Cooking Time is set, Cooking symbol will be displayed continuously.


If you want to set the end of cooking time to a later time:

After setting the cooking time on the clock, you can set the end of cooking time to a later time.

1. To adjust the cooking time, press Program key (1) and activate the Cooking Time symbol (2).
 2. Adjust the cooking time with Minus (5) and Plus (6) keys.
- » Cooking Time symbol remains lit (displayed continuously) after setting the cooking time.
3. To set the End of Cooking Time, Press Program key (1) and activate the Cooking Time symbol (3).
 4. Press - (5) and + (6) keys to set the end of cooking time.

» Once the End of Cooking Time is set, End of Cooking symbol and Cooking symbol will be displayed continuously. The End of Cooking Time symbol (3) will disappear as soon as the cooking starts.

5. Put your dish into the oven.
 6. Select operation mode and temperature.
- » Oven timer automatically calculates the startup time for cooking by using the end of cooking time and the cooking period you have set. Selected operation mode is activated when the startup time of cooking has come and the oven is heated up to the set temperature. It maintains this temperature until the end of cooking time.
7. After the cooking process is completed, "End" appears on the displayed and the alarm will sound.
 8. Alarm signal will sound for 2 minutes. To stop the alarm signal, just press any key. Alarm will be silenced and current time will be displayed.

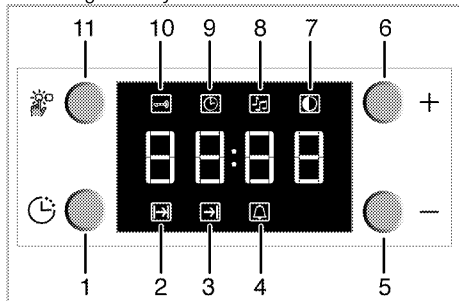
	If you mute the alarm by pressing any key, the oven will restart operating. If you press any button at the end of the alarm period, the oven will restart operating.
---	--

9. Turn off the oven with the Temperature knob and Function knob.

Using the keylock

Activating the keylock

You can prevent oven from being used by activating the Keylock function.



- 1 Program key
- 2 Cooking time
- 3 End of cooking time
- 4 Alarm symbol
- 5 Minus key
- 6 Plus key
- 7 Screen brightness setting
- 8 Alarm volume
- 9 Current time
- 10 Keylock
- 11 Adjustment key

1. Press the key (11) to activate Keylock symbol (10).

» "OFF" will appear on the display.

2. Press '+' key (6) to activate the keylock.

» Once the keylock is activated, "On" appears on the display and the Keylock symbol (10) remains lit.



When the Keylock function is activated, control panel buttons except for the key (11) cannot be used.

Deactivating the keylock

1. Press Adjustment key (11) to activate Keylock symbol (10).

» "On" will appear on the display.

2. Press '-' (5) to deactivate the keylock.

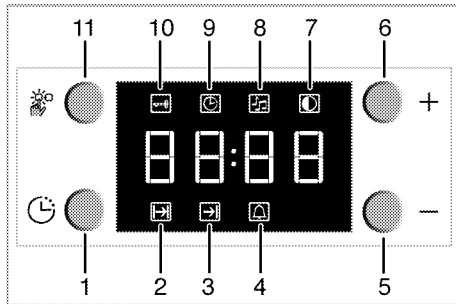
» "OFF" will be displayed once the keylock is deactivated.

Using the clock as an alarm

You can use the clock of the product for any warning or reminder apart from the cooking programme.

The alarm clock has no influence on the functions of the oven. It is only used as a warning.

For example, this is useful when you want to turn food in the oven at a certain point of time. Alarm clock will give a signal once the time you set is over.



- 1 Program key
- 2 Cooking time
- 3 End of cooking time
- 4 Alarm symbol
- 5 Minus key
- 6 Plus key
- 7 Screen brightness setting
- 8 Alarm volume
- 9 Current time
- 10 Keylock
- 11 Adjustment key

Setting the alarm clock

1. Press Program key (1) to activate the alarm time symbol (4).



Maximum alarm time can be 23 hours and 59 minutes.

2. Adjust the alarm time using „+“ / „-“ (5/6) keys.

» Alarm symbol will remain lit and the alarm time will appear on the display once the alarm time is set.

3. At the end of the alarm time, Alarm Time symbol (4) will start flashing and the alarm signal is heard.

Turning off the alarm

1. To stop the alarm, just press any key.

» Alarm will be silenced and current time will be displayed.

If you want to cancel the alarm:

- To reset the alarm time, press Program key (1) to activate the alarm time symbol (4).
- Press and hold the "—" (5) key until "00:00" is displayed.



Alarm time will be displayed. If the alarm time and cooking time are set concurrently, shortest time will be displayed.

Changing alarm tone

- Press Setting key (11) to activate the Alarm Tone symbol (8).
- Adjust the desired tone using "++" / "--" (5/6) keys.

» Selected alarm tone will appear as "b-01", "b-02" or "b-03" on the display.

Cooking times table



The timings in this chart are meant as a guide. Timings may vary due to temperature of food, thickness, type and your own preference of cooking.

Baking and roasting



1st rack of the oven is the **bottom** rack.

Dish	Cooking level number		Rack position	Temperature (°C)	Cooking time (approx. in min.)
Cakes in tray*	One level		4	175	30 ... 35
Cakes in mould*	One level		2	180	40 ... 50
Cakes in cooking paper*	One level		3	175	25 ... 30
	2 levels		1 - 5	175	30 ... 40
	3 levels		1 - 3 - 5	180	45 ... 55
Sponge cake*	One level		3	200	5 ... 10
	2 levels		1 - 5	175	18 ... 25
Cookies*	One level		3	175	20 ... 25
	2 levels		1 - 5	175	25 ... 30
	3 levels		1 - 3 - 5	175	30 ... 40
Dough pastry*	One level		2	200	30 ... 40
	2 levels		1 - 5	200	45 ... 55
	3 levels		1 - 3 - 5	200	55 ... 65
Rich pastry*	One level		2	200	25 ... 35
	2 levels		1 - 5	200	30 ... 40
	3 levels		1 - 3 - 5	190	40 ... 50
Leaven*	One level		2	200	35 ... 45
	2 levels		1 - 3	200	35 ... 45
Lasagna*	One level		2 - 3	200	30 ... 40
Pizza*	One level		2	200 ... 220	15 ... 20
Beef steak (whole) / Roast	One level		3	25 min. 250/max. then 180 ... 190	100 ... 120
Leg of Lamb (casserole)	One level		3	25 min. 250/max. then 190	70 ... 90
Roasted chicken	One level		2	15 min. 250/max. then 180 ... 190	65 ... 70
	One level		2	15 min. 250/max. then 180 ... 190	55 ... 65
Turkey (5,5 kg)	One level		2	25 min. 250/max. then 180 ... 190	150 ... 210
	One level		2	25 min. 250/max. then 180 ... 190	150 ... 210
Fish	One level		3	200	20 ... 30
	One level		3	200	20 ... 30

When cooking with 2 trays at the same time, place the deeper tray on the upper rack and the other one on the lower rack.
* It is suggested to perform preheating for all foods.

(**) In a cooking that requires preheating, preheat at the beginning of cooking until the thermostat lamp turns off.

Tips for baking cake

- If the cake is too dry, increase the temperature by 10°C and decrease the cooking time.
- If the cake is wet, use less liquid or lower the temperature by 10°C.
- If the cake is too dark on top, place it on a lower rack, lower the temperature and increase the cooking time.
- If cooked well on the inside but sticky on the outside use less liquid, lower the temperature and increase the cooking time.

Tips for baking pastry

- If the pastry is too dry, increase the temperature by 10°C and decrease the cooking time. Dampen the layers of dough with a sauce composed of milk, oil, egg and yoghurt.
- If the pastry takes too long to bake, pay care that the thickness of the pastry you have prepared does not exceed the depth of the tray.
- If the upper side of the pastry gets browned, but the lower part is not cooked, make sure that the amount of sauce you have used for the pastry is not too much at the bottom of the pastry. Try to scatter the sauce equally between the dough layers and on the top of pastry for an even browning.



Cook the pastry in accordance with the mode and temperature given in the cooking table. If the bottom part is still not browned enough, place it on one lower rack next time.

Tips for cooking vegetables

- If the vegetable dish runs out of juice and gets too dry, cook it in a pan with a lid instead of a tray. Closed vessels will preserve the juice of the dish.
- If a vegetable dish does not get cooked, boil the vegetables beforehand or prepare them like canned food and put in the oven.

How to operate the grill



Before you can use the oven, the time must be set. If the time is not set, oven will not operate.



WARNING

Close oven door during grilling.
Hot surfaces may cause burns!

Switching on the grill

1. Turn the Function knob to the desired grill symbol.
 2. Then, select the desired grilling temperature.
 3. If required, perform a preheating of about 5 minutes.
- » Temperature light turns on.

Switching off the grill

1. Turn the Function knob to Off (top) position.



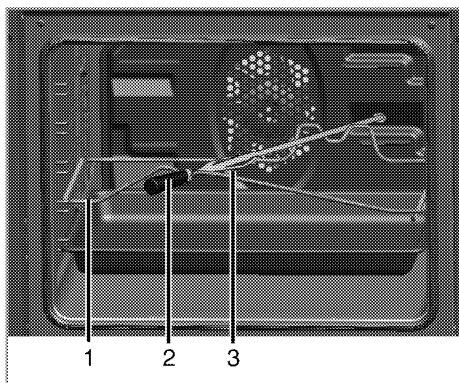
Foods that are not suitable for grilling carry the risk of fire. Only grill food which is suitable for intensive grilling heat.

Do not place the food too far in the back of the grill. This is the hottest area and fatty food may catch fire.

Turnspit function

When grill function is selected, turnspit motor will start turning.

- After selecting the Grill function, skewer the meat or chicken onto the spit by means of the fork (3).
- Insert the turnspit into its slot in the rotation motor located at the rear wall of the oven. Place the turnspit onto the spit frame.
- Place the frame to the relevant rack of the oven.
- Place a tray to one of the lower racks in order to collect the fats. Put some water into the tray for ease of cleaning.
- **Do not forget to remove the plastic handle of the turnspit.**
- When cooking completes, attach the plastic handle and remove your food from the oven.



- 1 Turnspit frame
- 2 Plastic handle
- 3 Fork

Cooking times table for grilling

Grilling with electric grill

Food	Insertion level	Grilling time (approx.)
Fish	4..5	20...25 min. [#]
Sliced chicken	4..5	25...35 min.
Lamb chops	4..5	20...25 min.
Roast beef	4..5	25...30 min. [#]
Veal chops	4..5	25...30 min. [#]
Toast bread	4	1...2 min.
[#] depending on thickness		

7 Maintenance and care

General information

Service life of the product will extend and the possibility of problems will decrease if the product is cleaned at regular intervals.



DANGER:

Disconnect the product from mains supply before starting maintenance and cleaning works.

There is the risk of electric shock!



DANGER:

Allow the product to cool down before you clean it.

Hot surfaces may cause burns!

- Clean the product thoroughly after each use. In this way it will be possible to remove cooking residues more easily, thus avoiding these from burning the next time the appliance is used.
- No special cleaning agents are required for cleaning the product. Use warm water with washing liquid, a soft cloth or sponge to clean the product and wipe it with a dry cloth.
- Always ensure any excess liquid is thoroughly wiped off after cleaning and any spillage is immediately wiped dry.
- Do not use cleaning agents that contain acid or chloride to clean the stainless or inox surfaces and the handle. Use a soft cloth with a liquid detergent (not abrasive) to wipe those parts clean, paying attention to sweep in one direction.
- Do not use solid metal scrapers or abrasive cleaning materials to clean the glass cover. Glass surface can get damaged.



The surface might get damaged by some detergents or cleaning materials.

Do not use aggressive detergents, cleaning powders/creams or any sharp objects during cleaning.

Do not use harsh abrasive cleaners or sharp metal scrapers to clean the oven door glass since they can scratch the surface, which may result in shattering of the glass.



Do not use steam cleaners to clean the appliance as this may cause an electric shock.

Cleaning the hob

Gas hobs

1. Remove and clean the saucepan carriers and burner caps.
2. Clean the hob.
3. Install the burner caps and make sure that they are seated correctly.
4. When installing the upper grills, pay attention to place the saucepan carriers so that the burners are centered.

Cleaning the control panel

Clean the control panel and knobs with a damp cloth and wipe them dry.



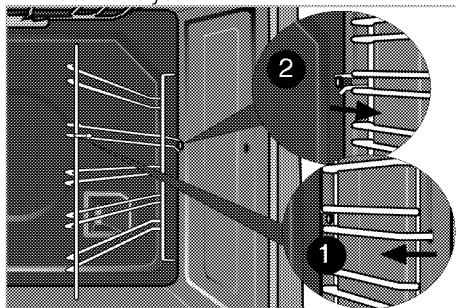
Do not remove the control buttons/knobs to clean the control panel.

Control panel may get damaged!

Cleaning the oven

To clean the side wall

1. Remove the front section of the side rack by pulling it in the opposite direction of the side wall.
2. Remove the side rack completely by pulling it towards you.



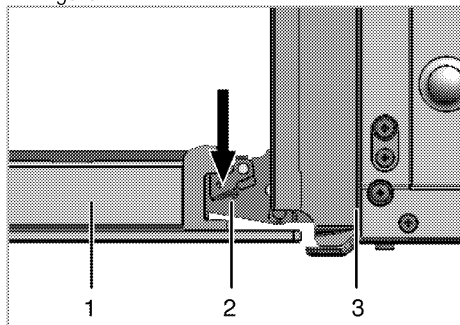
Clean oven door

To clean the oven door, use warm water with washing liquid, a soft cloth or sponge to clean the product and wipe it with a dry cloth.

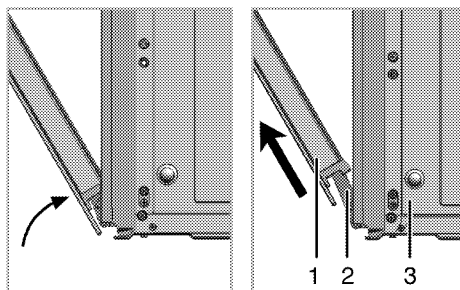
i Don't use any harsh abrasive cleaners or sharp metal scrapers for cleaning the oven door. They could scratch the surface and destroy the glass.

Removing the oven door

1. Open the front door (1).
2. Open the clips at the hinge housing (2) on the right and left hand sides of the front door by pressing them down as illustrated in the figure.



- 1 Front door
- 2 Hinge
- 3 Oven



3. Move the front door to half-way.
4. Remove the front door by pulling it upwards to release it from the right and left hinges.

i Steps carried out during removing process should be performed in reverse order to install the door. Do not forget to close the clips at the hinge housing when reinstalling the door.

Replacing the oven lamp

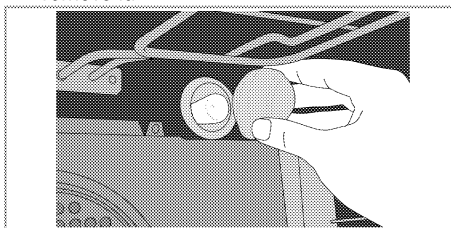
! DANGER:
Before replacing the oven lamp, make sure that the product is disconnected from mains and cooled down in order to avoid the risk of an electrical shock.
Hot surfaces may cause burns!

i The oven lamp is a special electric light bulb that can resist up to 300 °C. See *Technical specifications, page 12* for details. Oven lamps can be obtained from Authorised Service Agents or technician with licence.

i Position of lamp might vary from the figure.

If your oven is equipped with a round lamp:

1. Disconnect the product from mains.
2. Turn the glass cover counter clockwise to remove it.



3. Remove the oven lamp by turning it counter clockwise and replace it with the new one.
4. Install the glass cover.

8 Troubleshooting

Oven emits steam when it is in use.

- It is normal that steam escapes during operation. >>> *This is not a fault.*

Product emits metal noises while heating and cooling.

- When the metal parts are heated, they may expand and cause noise. >>> *This is not a fault.*

Product does not operate.

- The mains fuse is defective or has tripped. >>> *Check fuses in the fuse box. If necessary, replace or reset them.*
- Product is not plugged into the (grounded) socket. >>> *Check the plug connection.*
- Buttons/knobs/keys on the control panel do not function. >>> *Keylock may be enabled. Please disable it. (See. Using the keylock, page 24)*

Oven light does not work.

- Oven lamp is defective. >>> *Replace oven lamp.*
- Power is cut. >>> *Check if there is power. Check the fuses in the fuse box. If necessary, replace or reset the fuses.*

Oven does not heat.

- Function and/or Temperature are not set. >>> *Set the function and the temperature with the Function and/or Temperature knob/key.*
- In models equipped with a timer, the timer is not adjusted. >>> *Adjust the time.* (In products with microwave oven, timer controls only microwave oven.)
- Power is cut. >>> *Check if there is power. Check the fuses in the fuse box. If necessary, replace or reset the fuses.*

There is no ignition spark.

- No current. >>> *Check fuses in the fuse box.*
- Time is not set. >>> *Set the time.*

There is no gas.

- Main gas valve is closed. >>> *Open gas valve.*
- Gas pipe is bent. >>> *Install gas pipe properly.*

Burners are not burning properly or at all.

- Burners are dirty. >>> *Clean burner components.*
- Burners are wet. >>> *Dry the burner components.*
- Burner cap is not mounted safely. >>> *Mount the burner cap properly.*
- Gas valve is closed. >>> *Open gas valve.*
- Gas cylinder is empty (when using LPG). >>> *Replace gas cylinder.*

(In models with timer) Clock display is blinking or clock symbol is on.

- A previous power outage has occurred. >>> *Adjust the time / Switch of the product and switch it on again.*



Consult the Authorised Service Agent or technician with licence or the dealer where you have purchased the product if you can not remedy the trouble although you have implemented the instructions in this section. Never attempt to repair a defective product yourself.

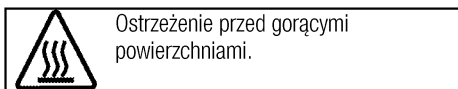
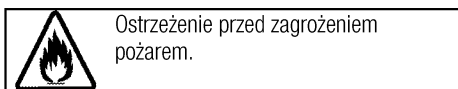
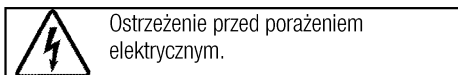
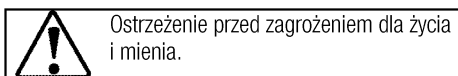
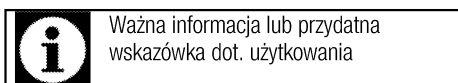
Prosimy najpierw przeczytać tę instrukcję obsługi!

Drogi Kliencie,

Dziękujemy za wybór wyrobu firmy Beko. Mamy nadzieję, że wyrób ten, wyprodukowany zgodnie z najwyższymi wymogami jakościowymi i według najnowszej technologii, służyć Ci będzie jak najlepiej. Prosimy zatem przed użyciem tego wyrobu uważnie przeczytać całą tę instrukcję obsługi i wszystkie inne dostarczone z nim dokumenty i zachować je do wglądu w przyszłości. Jeśli przekażesz ten wyrób komuś innemu, oddajcie mu także tę instrukcję. Przestrzegaj wszelkich ostrzeżeń i informacji z tej instrukcji. Pamiętaj, że niniejsza instrukcja użytkowania może odnosić się także do kilku innych modeli. Różnice pomiędzy modelami wskazano w niniejszej instrukcji.

Objaśnienie symboli

W niniejszej instrukcji użytkowania stosuje się następujące symbole:



Niniejsze urządzenie jest zgodne z następującymi

Dyrektywami Unii Europejskiej:

- 2006/95/WE LVD (Niskie Napięcia)

- 2004/108/WE EMC (Kompatybilność Elektromagnetyczna)

Importer: Beko S.A.

ul. Cybernetyki 7, 02-677 Warszawa



1 Ważne instrukcje i ostrzeżenia
dotyczące bezpieczeństwa i ochrony
środowiska **4**

Ogólne zasady bezpieczeństwa 4
 Bezpieczeństwo przy pracy z gazem 4
 Bezpieczeństwo elektryczne 6
 Zasady zachowania bezpieczeństwa przy
 użytkowaniu tego wyrobu 7
 Zamierzone przeznaczenie 8
 Bezpieczeństwo dzieci 9
 Stare urządzenia 9
 Pozbywanie się materiałów opakowaniowych 10
 Przyszły transport 10

2 Informacje ogólne **11**

Opis urządzenia 11
 Zawartość opakowania 12
 Dane techniczne 13
 Tabela wtryskiwacza 13

3 Instalacja **14**

Przed zainstalowaniem 14
 Instalacja i przyłączenie 15
 Zmiana rodzaju gazu 16

4 Przygotowanie **18**

Jak oszczędzać energię 18
 Pierwszy raz 18
 Początkowe ustawianie czasu 18
 Pierwsze czyszczenie 19

Podgrzewanie wstępne 19

5 Jak używać płyty kuchennej **20**

Ogólne informacje o gotowaniu 20
 Użytkowanie płyt kuchennych 20

6 Jak obsługiwać piekarnik **22**

Ogólne informacje o pieczeniu ciast i mięs oraz o
 grillowaniu. 22
 Jak obsługiwać piekarnik elektryczny 22
 Tryby pracy 23
 Korzystanie z zegara piekarnika 24
 Blokada przycisków 25
 Zegar jako programator alarmu 25
 Tabela czasów pieczenia 26
 Jak obsługiwać grill 27
 Tabela czasów pieczenia przy grillowaniu 28

7 Czyszczenie i konserwacja **29**

Informacje ogólne 29
 Oczyszczenie płyty 29
 Czyszczenie panelu sterowania 29
 Czyszczenie piekarnika 29
 Przenoszenie drzwiczek piekarnika 30
 Wymiana lampki w piekarniku 30

8 Rozwiązywanie problemów **31**

1 Ważne instrukcje i ostrzeżenia dotyczące bezpieczeństwa i ochrony środowiska

W rozdziale tym zawarto instrukcje zachowania bezpieczeństwa, które pomogą uniknąć zagrożenia obrażeniem lub szkodą.

Nieprzestrzeganie tych instrukcji spowoduje unieważnienie wszelkich gwarancji.

Ogólne zasady bezpieczeństwa

- Urządzenie może być używane przez dzieci w wieku 8 lat i starsze oraz osoby o ograniczonych zdolnościach fizycznych, czuciowych lub umysłowych, lub nieumiejętne i niedoświadczone, jeśli są pod nadzorem lub poinstruowano je w sprawach użytkowania tego urządzenia w sposób bezpieczny i rozumieją związane z tym zagrożenia.

Dzieci nie powinny bawić się tym urządzeniem. Dzieciom bez nadzoru nie należy powierzać czyszczenia ani konserwacji.

- Nie wolno ustawiać tego urządzenia na podłodze pokrytej wykładziną dywanową. W przeciwnym razie brak przepływu powietrza pod urządzeniem spowoduje przegrzanie jego części elektrycznych. Może to spowodować problemy.

- Instalacje i naprawy musi zawsze wykonywać autoryzowany pracownik serwisowy. Producent nie odpowiada za szkody wynikłe z instalacji i napraw wykonywanych przez osoby nieupoważnione i może z tego powodu unieważnić gwarancję. Przed instalacją uważnie przeczytaj tę instrukcję.
- Nie wolno uruchamiać tego wyrobu, jeśli jest niesprawny lub widocznie uszkodzony.
- Po każdym użyciu sprawdź, czy wyłączone zostały pokrętła funkcjonalne.

Bezpieczeństwo przy pracy z gazem

- Wszelkie prace na urządzeniach i instalacjach gazowych mogą prowadzić wyłącznie autoryzowany i kwalifikowany personel.
- Przed instalacją należy upewnić się, że warunki w miejscowej sieci rozdzielczej (rodzaj i ciśnienia gazu) są kompatybilne z ustawieniami urządzenia.
- Urządzenie to nie jest przyłączone do systemu usuwania produktów spalania. Należy je zainstalować i przyłączyć zgodnie z obowiązującymi przepisami

instalacyjnymi. Szczególną uwagę należy zwrócić na odnośne wymogi dotyczące wentylacji; Patrz *Przed zainstalowaniem*, strona 14

- Skutkiem użytkowania kuchenki gazowej jest ciepło, wilgoć oraz produkty spalania w pomieszczeniu, w którym ją zainstalowano. Należy zapewnić dobre przewietrzanie kuchni, zwłaszcza w czasie użytkowania kuchenki: utrzymywać naturalne otwory drożne lub zainstalować wentylator mechaniczny (okap z wyciągiem mechanicznym). Długotrwałe intensywne użytkowanie tego urządzenia może wymagać dodatkowej wentylacji, np. poprzez zwiększenie poziomu wentylacji mechanicznej tam, gdzie jest obecna.
- Prawidłowe funkcjonowanie urządzeń i systemów gazowych trzeba regularnie kontrolować. Regulator, crevo i njegova stezaljka se moraju redovno proveravati i zameniti u vremenskom roku preporučenom od strane proizvođača ili kada je potrebno.
- Regularnie czyść palniki gazowe. Płomienie powinny być błękitne i powinny palić się równo.

- W urządzeniach gazowych potrzeba dobrego spalania. W razie niecałkowitego spalania może powstawać tlenek węgla (CO). Tlenek węgla jest bezbarwnym, bezwonnym i bardzo trującym gazem o skutkach śmiertelnych nawet w bardzo małych dawkach.
- Poproś miejscowego dostawcę gazu o informację o telefonach alarmowych służb gazowych i środkach bezpieczeństwa na wypadek ulatniania się gazu.

Co robić, gdy poczuje się zapach gazu

- Nie używaj otwartego ognia i nie pal tytoniu. Nie używaj żadnych przełączników elektrycznych (np. wyłącznika światła, czy dzwonka u drzwi itd.). Nie używaj telefonu stacjonarnego ani komórkowego. Zagrożenie wybuchem i zatruciem!
- Zamknij wszystkie zawory na urządzeniu gazowym i gazomierzach.
- Otwórz drzwi i okna.
- Sprawdź szczelność wszystkich rur i połączeń. Jeśli nadal czuć gaz, wyjdź z mieszkania.
- Ostrzeż sąsiadów.
- Wezwij straż pożarną. Użyj telefonu poza domem.
- Nie wracajcie na teren nieruchomości, dopóki nie

zostanie zapewnione
bezpieczeństwo.

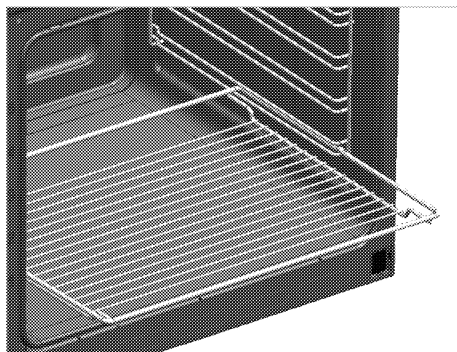
Bezpieczeństwo elektryczne

- W razie awarii tego urządzenia nie należy go używać do czasu naprawy przez autoryzowany serwis. Grozi to porażeniem elektrycznym!
- Piekarnik ten można podłączyć tylko do gniazdka z uziemieniem o napięciu i z zabezpieczeniem jakie podano w "Danych technicznych. Zlecć wykonanie instalacji uziemienia wykwalifikowanemu elektrykowi, niezależnie od tego, czy używasz transformatora do zasilania. Firma nasza nie ponosi odpowiedzialności za jakiegokolwiek problemy wynikające z braku uziemienia tego piekarnika zgodnie z miejscowymi przepisami.
- Nie wolno myć piekarnika rozlewając nań wodę! Grozi to porażeniem elektrycznym!
- Nie wolno dotykać wtyczki mokrymi dłońmi. Nie wolno wyciągać wtyczki ciągnąc za przewód, należy ją wyciągnij chwytając za nią samą.
- Piekarnik ten trzeba odłączyć od zasilania na czas instalacji, konserwacji, czyszczenia i napraw.
- Aby uniknąć zagrożenie w przypadku uszkodzenia przewodu zasilającego, musi go wymienić producent, punkt serwisowy lub osoba o podobnych kwalifikacjach.
- Piekarnik należy tak zainstalować, aby można było go całkowicie odłączyć od sieci. Odłączenie to należy zapewnić albo poprzez wyjęcie wtyczki z gniazdka, albo wyłączenie wyłącznika, w który wyposażona jest domowa instalacja elektryczna, zgodnie z przepisami budowlanymi.
- Tylna powierzchnia piekarnika nagrzewa się w trakcie jego pracy. Upewnij się, że przyłączy gazowe/elektryczne nie dotyka tej tylnej powierzchni; w przeciwnym razie może ono ulec uszkodzeniu.
- Przewód zasilający nie może się zakleszczyć między drzwiczkami i ramą piekarnika, a także nie można go prowadzić przez gorące powierzchnie. W przeciwnym wypadku izolacja przewodów może się topić i w rezultacie może nastąpić zwarcie.
- Wszelkie prace na układach i urządzeniach elektrycznych wykonywać może tylko upoważniony i wykwalifikowany personel.
- W razie jakiegokolwiek awarii wyłącz wyrób i odłącz go od sieci zasilającej. W tym celu wyłącz bezpiecznik zabezpieczający instalację domową.

- Upewnij się, że prąd bezpiecznika jest odpowiedni dla tego wyrobu.

Zasady zachowania bezpieczeństwa przy użytkowaniu tego wyrobu

- Podczas użytkowania urządzenie i jego części są gorące. Nie dotykać nagrzanymi częściami. Dzieci poniżej 8 lat mogą przebywać w pobliżu urządzenia wyłącznie pod nadzorem osób dorosłych.
- Nigdy nie wolno używać tego wyrobu w stanie zakłócenia oceny sytuacji lub koordynacji przez konsumpcję alkoholu i/lub innych środków odmieniających świadomość.
- Zachowaj ostrożność, jeśli w potrawach stosuje się napoje alkoholowe. W wysokiej temperaturze alkohol paruje i może się zapalić po zetknięciu z gorącymi powierzchniami.
- Nie umieszczaj żadnych materiałów łatwopalnych w pobliżu tego wyrobu, ponieważ jego boki mogą bardzo się nagrzewać przy pracy.
- W trakcie użytkowania piekarnik nagrzewa się. Należy zachować ostrożność i nie dotykać elementów grzejnych wewnątrz piekarnika.
- Należy dbać, aby żaden otwór wentylacyjny nie był zakryty.
- Nie podgrzewaj w piekarniku zamkniętych puszek ani szklanych słoików. Ciśnienie, które wytworzy się w takiej puszcze/słoiku, może je rozsadzić.
- Nie umieszczaj foremek do pieczenia, naczyń ani folii aluminiowej bezpośrednio na dnie piekarnika. Nagromadzenie ciepła mogłoby zniszczyć dno piekarnika.
- "Do czyszczenia szyby w drzwiczkach piekarnika nie należy używać szorstkich środków czyszczących ani ostrych skrobaków metalowych, ponieważ mogą one zarysować powierzchnię, co może doprowadzić do popękania szyby."
- Do czyszczenia tego urządzenia nie używaj urządzeń parowych, ponieważ może to spowodować porażenie prądem.
- **Właściwe umieszczanie rusztu i foremki na stelażach**
Właściwe umieszczanie na stelażu rusztu i/lub tacki na ociekający tłuszcz jest niezwykle ważne. Wsuń ruszt lub tackę na ociekający tłuszcz pomiędzy dwie szyny i zanim umieścisz na nim potrawę upewnij się, że jest wypoziomowany (patrz następująca ilustracja).



- Nie używaj tego wyrobu z wyjętą lub popękaną szybą w przednich drzwiczkach.
- Uchwyt na drzwiach piekarnika nie służy do suszenia ręczników. Przy otwartych drzwiczkach i załączonej funkcji grillowania nie wieszac na niej ręczników, rękawic, ani podobnych wyrobów tekstylnych.
- Do wkładania i wyjmowania potraw z gorącego piekarnika zawsze zakładaj odporne na wysokie temperatury rękawice.
- Przed wymianą lampy upewnij się, że piekarnik jest wyłączony, aby uniknąć zagrożenia porażeniem prądem elektrycznym.
- Nie zamykaj pokrywy, zanim płyta nie ostygnie wystarczająco. Przed otwarciem pokrywy należy ją wytrzeć do sucha, aby woda nie przedostała się do tylnych i wewnętrznych części piekarnika.
- Gotowania na kuchence w tłuszczu lub oleju bez dozoru może być niebezpieczne i może

doprowadzić do pożaru. NIE próbuj gasić ognia wodą, ale wyłącz kuchenkę, a następnie stłum płomień, np. pokrywką lub kocem gaśniczym.

- Zagrożenie pożarowe: Nie stawiaj niczego na powierzchniach do gotowania.

Aby uniknąć zagrożenia pożarem przy użytkowaniu tej kuchenki;

- Upewnij się, że wtyczka pasuje do gniazdka i nie powoduje iskrzenia.
- Nie należy używać uszkodzonych ani uciętych przewodów, ani przedłużaczy, a tylko oryginalnego przewodu zasilającego.
- Upewnij się, że gniazdko, do którego włączona jest kuchenka jest suche.
- Upewnij się, że przyłącze gazu zainstalowany jest tak, że nie powoduje wycieku gazu.

Zamierzone przeznaczenie

- Wyrób ten przeznaczony jest do użytku domowego. Nie dopuszcza się użytkowania komercyjnego.
- Urządzenie to służy wyłącznie do pieczenia potraw. Nie wolno używać go do innych celów, na przykład do ogrzewania pomieszczeń."
- Urządzenia tego nie należy używać do podgrzewania talerzy pod grillem, suszenia ręczników, ścierek do naczyń, itp. na

uchwytach, ani do celów suszenia lub ogrzewania.

- Producent nie odpowiada za szkody spowodowane niewłaściwym użytkowaniem tego wyrobu lub obchodzeniem się z nim.
- Piekarnik można używać do rozmrażania, smażenia, pieczenia i grillowania potraw.

Bezpieczeństwo dzieci

- Dostępne części mogą się nagrzewać podczas użytkowania. Małe dzieci należy trzymać z dala od kuchenki.
- Materiały opakowaniowe mogą być niebezpieczne dla dzieci. Trzymać materiały opakowaniowe z dala od dzieci. Prosimy pozbyć się całego opakowania zgodnie z normami ochrony środowiska.
- Urządzenia elektryczne i/lub gazowe są niebezpieczne dla dzieci. W trakcie pracy tego produktu nie dopuszczać do przebywania dzieci w jego pobliżu ani do zabawy.
- Nie stawiaj na tym urządzeniu żadnych przedmiotów, po które mogłyby sięgać dzieci.
- Gdy drzwiczki są otwarte nie obciążać ich żadnymi ciężkimi przedmiotami i **nie** pozwalać dzieciom siadać na nich. Piekarnik może się przewrócić,

lub mogą się uszkodzić zawiasy drzwiczek.

Stare urządzenia

Zgodność z dyrektywą WEEE i usuwanie odpadów:



Niniejszy wyrób jest zgodny z dyrektywą Parlamentu Europejskiego i Rady (2012/19/WE). Wyrób ten oznaczony jest symbolem klasyfikacji zużytych urządzeń elektrycznych i elektronicznych (WEEE). Wyrób ten wykonano z części i materiałów wysokiej jakości, które mogą być odzyskane i użyte jako surowce wtórne. Po zakończeniu użytkowania nie należy pozbywać się go razem z innymi odpadkami domowymi. Należy przekazać go do punktu zbiórki urządzeń elektrycznych i elektronicznych na surowce wtórne. Aby dowiedzieć się, gdzie jest najbliższy taki punkt, prosimy skonsultować się z władzami lokalnymi.

Zgodność z dyrektywą RoHS:

Niniejszy wyrób jest zgodny z dyrektywą Parlamentu Europejskiego i Rady RoHS (Ograniczenie użycia substancji niebezpiecznych) (2011/65/WE). Nie zawiera szkodliwych i zakazanych materiałów, podanych w tej dyrektywie.

Pozbywanie się materiałów opakowaniowych



- Materiały opakowaniowe są niebezpieczne dla dzieci. Należy trzymać je w bezpiecznym miejscu, niedostępne dla dzieci. Opakowanie tego wyrobu wyprodukowano z surowców wtórnych. Należy odpowiednio się ich pozbywać i sortować je zgodnie z instrukcjami gospodarki surowcami wtórnymi. Nie należy ich wyrzucać razem ze zwykłymi odpadkami domowymi.

Przyszły transport

- Zachowaj oryginalne pudło kartonowe na piekarnik i transportuj go w nim. Przestrzegaj instrukcji na pudle. Jeśli nie masz oryginalnego pudła, zapakuj piekarnik w folię bąbelkową lub

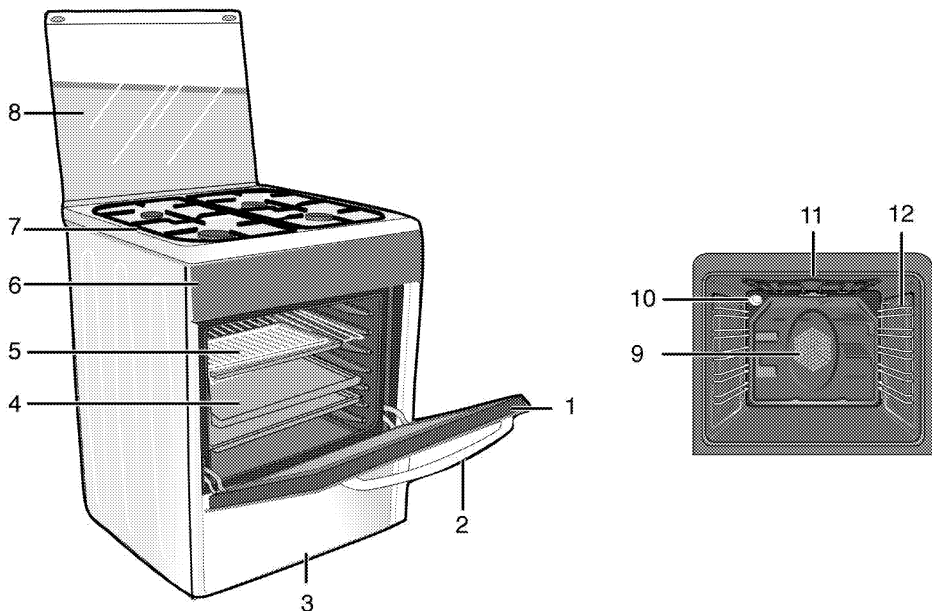
gruba tekturę i zabezpiecz taśmą klejącą.

- Aby zapobiec uszkodzeniu drzwiczek przez ruszt druciany i tackę z wnętrza piekarnika włóż do jego środka pasek tektury, równo z pozycją tacek. Drzwiczki piekarnika zabezpiecz taśmą klejącą do ścian bocznych.
- Zabezpiecz taśmą klejącą kołpaki i podstawki od garnki.
- Nie podnoś piekarnika za drzwiczki ani za klamkę.

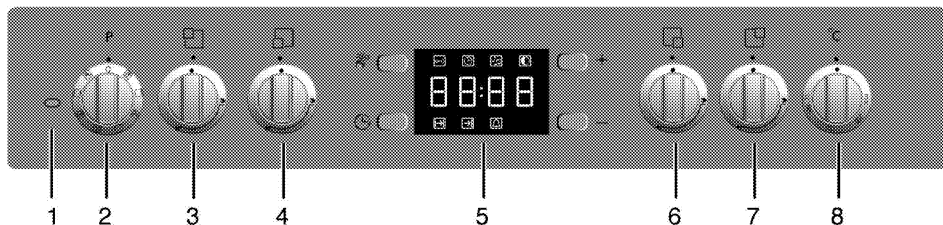
	Nie stawiaj na nim żadnych przedmiotów i przemieszczaj go w pozycji pionowej.
	Sprawdź, czy piekarnik nie uległ w transporcie widocznym uszkodzeniom.

2 Informacje ogólne

Opis urządzenia



- | | | | |
|---|--------------------|----|---------------------------------------|
| 1 | Drzwiczki przednie | 7 | Płyta grzejnika |
| 2 | Uchwyt | 8 | Pokrywa górna |
| 3 | Szuflada dolna | 9 | Silnik wentylatora (za płytą stalową) |
| 4 | Tacka | 10 | Lampka |
| 5 | Półka druciana | 11 | Element grzejny grilla |
| 6 | Panel sterowania | 12 | Pozycje półki |



- | | |
|---|---------------------------------|
| 1 | Lampka termostatu |
| 2 | Pokręto wyboru funkcji |
| 3 | Palnik normalny Tylny lewy |
| 4 | Palnik szybki Przedni lewy |
| 5 | Czasomierz cyfrowy |
| 6 | Palnik pomocniczy Przedni prawy |
| 7 | Palnik normalny Tylny prawy |
| 8 | Pokręto termostatu |

Zawartość opakowania

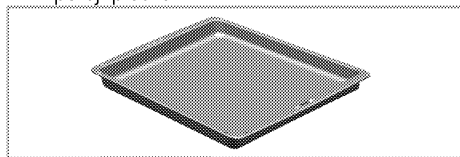


Dostarczane akcesoria różnią się zależnie od modelu wyrobu. Niektóre z akcesoriów opisanych w instrukcji obsługi mogą nie być dostarczane razem z tym modelem produktu.

1. Instrukcja użytkownika

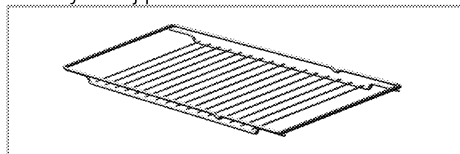
2. Blacha do pieczenia

Służy do pieczenia ciast, mrożonek i dużych porcji pieczeni.



3. Półka druciana

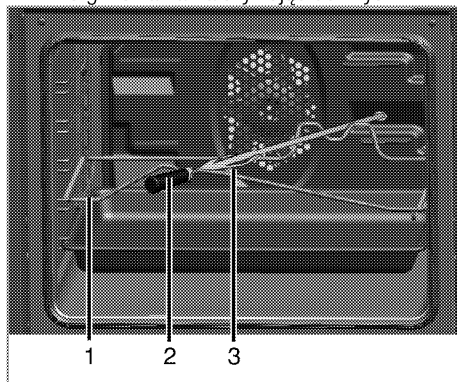
Służy do pieczenia oraz do ustawiania potraw do smażenia, pieczenia lub gotowania w naczyniach do zapiekank na wybranej półce.



4. Pieczeń z kurczaka

Służy do grillowania mięsa, drobiu oraz ryb ze wszystkich stron.

- Potrawę do grillowania nałóż na widelce rożna obrotowego.
- Do piekarnika wstaw ramę rożna obrotowego na wysokości jego napędu.
- Wsuń szpikulec rożna obrotowego w napęd i nałóż go na ramę rożna obrotowego.
- Do grillowania należy zdjąć uchwyt.



- 1 Rama rożna obrotowego
- 2 Uchwyt plastikowy
- 3 Widelec

Dane techniczne

DANE OGÓLNE	
Wymiary zewnętrzne (wys./szer./głęb.)	850 mm/600 mm/600 mm
Napięcie/częstotliwość	220-240 V ~ 50 Hz
Łączne zużycie energii el.	2,4 kW
Bezpiecznik	min. 16 A
Typ/przekrój przewodu	H05VV-FG 3 x 1,5 mm ²
Długość przewodu	maks. 2 m
Kategoria wyrobu gazowego	Kat II 2ELs3B/P
Typ/ciśnienia gazu	2E (G20)/20 mbar
Łączne zużycie gazu	7,9 kW
Konwersja na typ/ciśnienie gazu ^S	2Ls (G2.350)/13 mbar
- opcjonalna	3B/P (G30)/37 mbar
PŁYTA KUCHENNA	
Palniki	
Tylny lewy	Palnik normalny
Moc	2 kW
Przedni lewy	Palnik szybki
Moc	2,9 kW
Przedni prawy	Palnik pomocniczy
Moc	1 kW
Tylny prawy	Palnik normalny
Moc	2 kW
PIEKARNIK/GRILL	
Piekarnik główny	Piekarnik wielofunkcyjny
Oświetlenie wewnętrzne	15–25 W
Zużycie energii el. przez grill.	2,2 kW

* Informacja podstawowa: Dane na etykietach energetycznych piekarników elektrycznych podaje się zgodnie z normą PL-EN 60350-1 / IEC 60350-1. Wartości te określa się przy standardowym obciążeniu z czynnymi funkcjami grzejnika górnego-dolnego i wspomaganie nagrzewania wentylatorem (jeśli funkcje takie są dostępne).

Klasę sprawności energetycznej określa się zgodnie z następującą priorytetyzacją, zależnie od występowania odpowiednich funkcji w danym modelu piekarnika. 1-Pieczenie z wentylatorem eco-fan, 2-Pieczenie turbo powolne, 3-Pieczenie turbo, 4-Grzałki dolna/górna wspomagane wentylatorem.



Dane techniczne mogą zostać zmienione bez uprzedzenia w celu poprawy jakości wyrobu.



Rysunki w tej instrukcji są schematyczne i mogą się nieco różnić od danego wyrobu.




Wartości podane na etykietkach wyrobu lub w towarzyszącej mu dokumentacji uzyskano w warunkach laboratoryjnych zgodnie z odnośnymi normami. Wartości te mogą się różnić zależnie od operacyjnych i środowiskowych warunków pracy danego wyrobu.


Tabela wtryskiwacza


Pozycja strefy płyty kuchennej	2 kW	2,9 kW	1 kW	2 kW
	Tylny lewy	Przedni lewy	Przedni prawy	Tylny prawy
Typ/ciśnienia gazu				
2E (G20)/20 mbar	103	115	72	103
3B/P (G30)/37 mbar	66	80	47	66
2Ls (G2.350)/13mbar	131	165	95	131

3 Instalacja

Produkt musi zostać zainstalowany przez wykwalifikowaną osobę i zgodnie z obowiązującymi przepisami. W przeciwnym gwarancja zostanie unieważniona. Producent nie odpowiada za szkody wynikłe z instalacji i napraw wykonywanych przez osoby nieupoważnione i może z tego powodu unieważnić gwarancję.

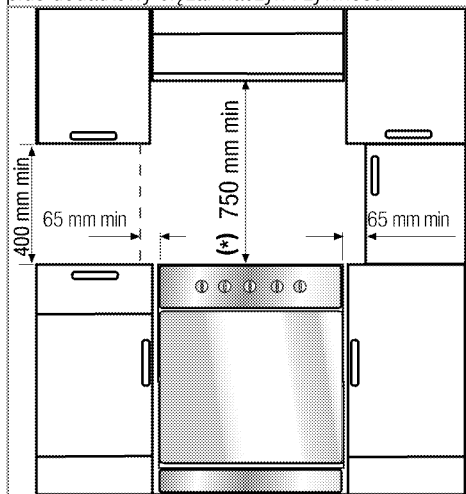
 Przygotowanie miejsca do instalacji i dostępu do sieci elektrycznej i gazowej to obowiązek klienta.

 **ZAGROŻENIE:**
Urządzenie to należy instalować zgodnie z miejscowymi przepisami dot. instalacji gazowych i elektrycznych.

 **ZAGROŻENIE:**
Przed zainstalowaniem sprawdź, czy wyrób nie ma widocznych defektów. Jeśli ma, nie instaluj go.
Uszkodzone wyroby zagrażają Twemu bezpieczeństwu.

Przed zainstalowaniem

Aby zapewnić zachowanie odpowiedniego odstępu na przepływ powietrza pod tym wyrobem zalecamy zamontowanie go na solidnej podstawie, której nóżki nie zagłębiają się w dywan lub wykładzinę dywanową. Podłoga kuchni musi unieść masę urządzenia plus dodatkowy ciężar naczyń i żywności.

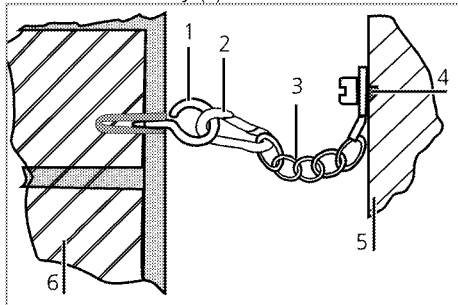


- Można go używać razem z szafkami po obu stronach, ale należy zachować minimalny odstęp 40 cm ponad poziomem płyty grzewczej zachowaj boczny odstęp 6,5 cm pomiędzy tym urządzeniem a ścianą, ścianką działową lub wysoką szafką kuchenną.
- Można go także używać w pozycji wolnostojącej. Zachowaj minimalny odstęp 750 mm ponad powierzchnią płyty kuchennej.
- (*) Jeśli nad kuchenką ma być zainstalowany wyciąg, sprawdź wysokość instalacji w instrukcji wytwórcy wyciągu (min. 650 mm).
- Urządzenie te odpowiada klasie 1, tzn. można je ustawić tyłem i **jednym** bokiem do ścian kuchni, mebli kuchennych, czy urządzeń dowolnych rozmiarów. Meble lub sprzęty kuchenne po **drugiej** stronie nie mogą być większe.
- Sąsiadujące z urządzeniem meble kuchenne muszą być odporne na wysoką temperaturę (co najmniej do 100 °C).

Łańcuch bezpieczeństwa

Urządzenie to należy zabezpieczyć przed przewróceniem mocując je dwoma łańcuchami bezpieczeństwa dostarczonymi wraz z piekarnikiem.

Umocnij hak (1) używając odpowiedniego kołka wbitego w ścianę kuchni (6) i bezpiecznie zaczepek łańcuchów bezpieczeństwa (3) o hak, wykorzystując mechanizm blokady (2).



1 Hak stabilizujący

- 2 Mechanizm blokady
- 3 Łańcuch bezpieczeństwa
- 4 Mono przytwierdź łańcuch do tyłu piekarnika.
- 5 Tył piekarnika
- 6 Ściana kuchni



Łańcuch stabilizujący musi być jak najkrótszy, aby uniemożliwić przechylenie się piekarnika w przód. Przechyłom bocznym zapobiega łańcuch poprzeczny.

Łańcuch stabilizujący kuchenki bez otworu na zaczep uchwyty.

Wentylacja pomieszczenia

W każdym pomieszczeniu powinno być otwierane okno lub jego równoważnik, a w niektórych pomieszczeniach potrzeba także stałej wentylacji. Powietrze do spalania pobierane jest z pomieszczenia, bezpośrednio do pomieszczenia ułatwiają się spaliny.

Dobra wentylacja pomieszczenia jest niezwykle ważna dla pracy tego urządzenia. Jeśli pomieszczenia nie można wietrzyć oknem lub drzwiami, należy zainstalować dodatkową wentylację.

Urządzenie można umieścić w kuchni, kuchni/jadalni lub w pokoju dziennym, a nawet sypialni, ale nie w pomieszczeniu zawierającym wannę lub prysznic. Urządzenia nie wolno instalować w pokoju dziennym mniejszym niż 20 m².³

Nie instaluj tego urządzenia w pomieszczeniu poniżej poziomu ziemi, chyba że jest co najmniej z jednej strony otwarte na tym poziomie.

Rozmiar pomieszczenia	Otwór wentylacyjny
mniejsze niż 5 m ³	min. 100 cm ²
5 m ³ do 10 m ³	min. 50 cm ²
większe niż 10 m ³ , den	nie potrzeba
W piwnicy	min. 65 cm ²

Instalacja i przyłączenie

Urządzenie to można instalować i przyłączać wyłącznie zgodnie z obowiązującymi zasadami instalowania.



Nie instaluj tego urządzenia w pobliżu lodówek lub zamrażarek. Wydzielane z tego piekarnika ciepło może zwiększyć zużycie energii przez urządzenia chłodzące.

- Urządzenie nosić muszą przynajmniej dwie osoby.
- Urządzenie trzeba ustawić bezpośrednio na podłodze. Nie może stać na podstawie ani cokole.



Nie podnoś piekarnika za drzwiczki ani za klamkę. Drzwiczki, uchwyty lub zawiasy mogą się uszkodzić.

Przyłączenie elektryczne

Przyłącz ten wyrób do uziemionego gniazdka/obwodu zabezpieczonego bezpiecznikiem o odpowiedniej specyfikacji podanej w tabeli „Dane techniczne”. Zleć wykonanie instalacji uziemienia wykwalifikowanemu elektrykowi, niezależnie od tego, czy używasz transformatora do zasilania. Firma nasza nie odpowiada za żadne szkody wynikłe z użytkowania tego wyrobu bez uziemienia, zgodnie z przepisami miejscowymi.



ZAGROŻENIE:

Wyrób ten musi być przyłączony do sieci elektrycznej przez osobę upoważnioną i wykwalifikowaną. Gwarancja na ten wyrób obowiązuje dopiero po jego prawidłowym zainstalowaniu.

Producent nie odpowiada za szkody wynikłe z instalacji i napraw wykonywanych przez osoby nieupoważnione.



ZAGROŻENIE:

Przewodu zasilającego nie można klamrować, zginać i przyciskać, ani stykać z gorącymi częściami urządzenia. Przewody uszkodzone wymieniać może tylko wykwalifikowany elektryk. Zagrożenie porażeniem elektrycznym, zwarcie lub pożarem z powodu niefachowej instalacji!

Parametry zasilania muszą odpowiadać danym podanym na tabliczce znamionowej urządzenia. Tabliczkę znamionową albo widać przy otwartych drzwiczkach dolnej pokrywy, albo umieszczona jest na tylnej ścianie, zależnie od typu urządzenia.

Przewód zasilający ten wyrób musi odpowiadać parametrom podanym w tabeli "Dane techniczne".



Wtyczka przewodu zasilająca musi być łatwo dostępna po zainstalowaniu (nie prowadzić przewodu ponad płytą kuchenną).



ZAGROŻENIE:

Przed podjęciem jakichkolwiek prac przy instalacji elektrycznej, odłącz to urządzenie od zasilania.

Grozi to porażeniem elektrycznym!

Włóż wtyczkę przewodu zasilającego do gniazdka.

Złącze gazowe



ZAGROŻENIE:

Wyrób ten musi być przyłączony do sieci gazowej przez osobę uprawnioną i wykwalifikowaną.

Zagrożenie wybuchem lub zatruciem na skutek niefachowej naprawy.

Producent nie odpowiada za szkody wynikłe z instalacji i napraw wykonywanych przez osoby nieupoważnione.



ZAGROŻENIE:

Przed podjęciem jakichkolwiek prac przy instalacji gazowej, należy odciąć zasilanie gazem.

Istnieje groźba wybuchu!

- Warunki i wartości zasilania w gaz podane są na etykietach (lub tabliczce znamionowej).



Produkt jest przeznaczony do gazu ziemnego (GZ).

- Przez zainstalowaniem tego wyrobu trzeba przygotować instalację gazu ziemnego.
- Na wyjściu z instalacji przyłącza gazu ziemnego do tego wyrobu musi być giętka rura, a jej końcówka musi być zamknięta wtyczką. Przy przyłączaniu pracownik serwisu wyjmie zatyczkę i przyłączy urządzenie za pomocą prostego złącza (mufy).
- Upewnij się, że jest łatwy dostęp do zaworu gazu ziemnego.
- Jeśli później zechcesz używać tego urządzenia zasilając go innego typu gazem, musisz skonsultować się z upoważnionym

serwisem w sprawie odnośnej procedury konwersji.



ZAGROŻENIE:

Przewodu gazu nie można klamrować, zginać i przyciskać, ani stykać z gorącymi częściami urządzenia.

Istnieje groźba wybuchu z powodu uszkodzenia przewodu.

- Przysuń wyrób do ściany kuchni.
- **Ustawianie nóżek piekarnika**
Drgania w trakcie pracy mogą powodować przesuwanie się naczyń. Jej niebezpiecznej sytuacji można uniknąć poziomując i równoważąc wyrób.

Dla własnego bezpieczeństwa upewnij się, że wyrób stoi prosto nastawiając cztery nóżki na spodzie obracając je w lewo lub prawo i wyrównaj poziom z blatem kuchennym.

Ostateczne sprawdzenie

1. Sprawdź funkcje elektryczne.
2. Otwórz zasilanie gazem.
3. Sprawdź bezpieczeństwo pasowania i szczelność instalacji gazowych.
4. Zapal palniki i sprawdź wygląd płomienia.



Ogień musi być niebieski i mieć kształt regularny. Jeśli płomienie żółcieją, sprawdź, czy kołpak palnika pewnie siedzi albo oczyść palnik.

Zmiana rodzaju gazu



ZAGROŻENIE:

Przed podjęciem jakichkolwiek prac przy instalacji gazowej, należy odciąć zasilanie gazem.

Istnieje groźba wybuchu!

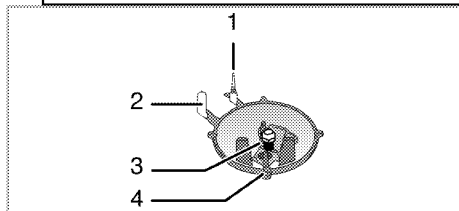
Aby zmienić typ gazu zasilającego to urządzenie wymienia się wszystkie wtryski i reguluje płomień na wszystkich zaworach przy ograniczonym przepływie gazu.

Wymiana wtrysków do palników

1. Zdejmij kołpak palnika i wyjmij korpus palnika.
2. Odkręć wtryski przekręcając je w lewo.
3. Załóż nowe wtryski.
4. Sprawdź bezpieczeństwo pasowania i szczelność wszystkich połączeń.



Pozycje nowych wtrysków są zaznaczone na ich opakowaniu lub w odpowiedniej tabeli, *Tabela wtryskiwacza, strona 13* do której należy zawsze sięgać.



- 1 Czujnik zaniku płomienia (zależnie od modelu)
- 2 Świeca zapłonowa
- 3 Wtrysk
- 4 Palnik



0 ile nie zachodzą warunki nienormalne, nie staraj się wyjąć kurków gazowych palników. Jeśli trzeba wymienić te kurki, należy wezwać autoryzowany serwis.

Ustawienie kurków płyty na ograniczony strumień gazu

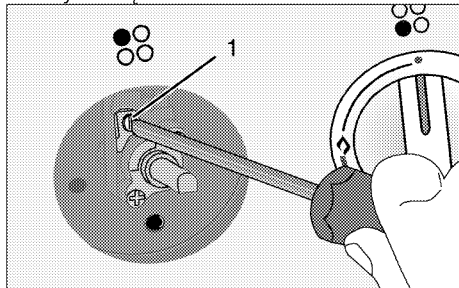
1. Zapal palnik, który ma być ustawiany i obróć pokrętło do pozycji niskiego płomienia.
2. Zdejmij pokrętło z kurka gazu.
3. Do ustawiania śruby regulacji przepływu należy używać śrubokręta o odpowiednim rozmiarze.

Dla gazu płynnego (butan/propan) należy raz obrócić tę śrubę w prawo. Dla gazu ziemnego należy raz obrócić tę śrubę **w lewo**.

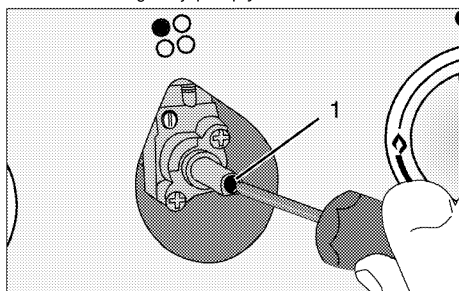
» Normalna długość wyprostowanego płomienia w stanie ograniczenia wynosi 6-7 mm.

4. Jeśli płomień sięga wyżej, niż należy, obróć śrubę zgodnie z ruchem wskazówek zegara. Jeśli jest zbyt mały, obróć ją w lewo.
5. Na koniec kontroli ustaw palnik na płomień wysoki a potem na zredukowany i sprawdź, czy płomień utrzymuje się.

Pozycja śruby regulacyjnej może się różnić, zależnie od typu kurka gazowego zastosowanego w danym urządzeniu.



- 1 Śruba regulacji przepływu



- 1 Śruba regulacji przepływu



Jeśli zmieniono rodzaj gazu zasilającego urządzenie, wówczas trzeba także zmienić tabliczkę znamionową, gdzie rodzaj gazu jest podany.

4 Przygotowanie

Jak oszczędzać energię

Następujące wskazówki pomogą użytkować urządzenie w sposób ekologiczny oraz energooszczędny.

- Używaj naczyń w ciemnych barwach lub emaliowanych, co poprawi przepływ ciepła.
- Gotując potrawy wykonuj operacje podgrzewania, jeśli zaleca się ją w instrukcji obsługi lub przepisie gotowania.
- Nie otwieraj zbyt często drzwiczek w trakcie gotowania.
- O ile to możliwe staraj się gotować w piekarniku więcej niż jedną potrawę na raz. Można gotować w dwóch naczyniach obok siebie na ruszcie.
- Gotuj potrawy po kolei. Piekarnik będzie już gorący.
- Można oszczędzić energię wyłączając piekarnik na kilka minut przed upływem czasu gotowania. Nie otwieraj drzwiczek piekarnika.
- Rozmrażaj mrożonki przed gotowaniem.
- Do gotowania używaj garnków/rondli z pokrywkami. Gotowanie bez pokrywki może czterokrotnie zwiększyć pobór prądu.
- Gotuj na palniku o średnicy odpowiadającej średnicy garnka. Zawsze wybieraj garnki o rozmiarze odpowiednim do potrawy. Większe garnki zużywają więcej prądu.

Pierwszy raz

Początkowe ustawianie czasu

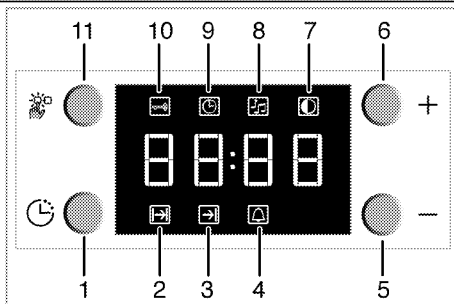


Przed użyciem piekarnika należy nastawić czas. Bez nastawienia czasomierza, piekarnik nie będzie działać.



Przy każdej regulacji na zegarze migać będą odnośne symbole.

Po pierwszym załączeniu zasilania piekarnika ustaw godzinę przyciskami '-' lub '+' (5/6).



- 1 Klawisz programu
- 2 Czas gotowania
- 3 Koniec czasu gotowania
- 4 Symbol alarmu
- 5 Klawisz minus
- 6 Klawisz plus
- 7 Ustawienia jasności ekranu
- 8 Głośność alarmu
- 9 Bieżący czas
- 10 Blokada przycisków
- 11 Klawisz regulacji

Po nastawieniu godziny można zaczynać i kończyć gotowanie wybierając pożądaną pozycję przyciskami temperatury i funkcji.



Jeśli nie ustawi się bieżącej godziny, czas ustawiany będzie od godziny **12:00**.

Wyświetli się symbol zegara '9' na znak, że nie ustawiono bieżącej godziny. Symbol ten zniknie po ustawieniu godziny.



W przypadku zaniku zasilania nastawienia bieżącej godziny zostają skasowane. Trzeba je ustawić na nowo.

Aby zmienić poprzednie ustawienie godziny:

1. Naciśnij (11) aby załączyć symbol bieżącej godziny '9'.
2. Naciśnij '-' lub '+' (5/6) aby ustawić bieżącą godzinę.

Zmiana ustawienia jasności ekranu

1. Naciśnij (11) aby załączyć symbol jasności ekranu '7' w celu dokonania jej regulacji.
2. Naciśnij '-' lub '+' (5/6) aby nastawić jasność.

» Wybrane poziomy jasności wyświetlą się na ekranie jako **d-01**, **d-02** lub **d-03**.

Pierwsze czyszczenie



Pewne detergenty lub środki czyszczące mogą uszkodzić powierzchnię.

Nie używaj agresywnych detergentów, proszku/mleczka do czyszczenia, ani żadnych ostrych przedmiotów.

1. Usuń wszystkie materiały opakowaniowe.
2. Wytrzyj powierzchnie wyrobu wilgotną ściereczką lub gąbką i wytrzyj do sucha ściereczką.

Podgrzewanie wstępne

Nagrzewaj urządzenie przez ok. 30 minut, a potem je wyłącz. Przed pierwszym użyciem należy wypalić wszelkie pozostałości po produkcji i warstwy ochronne.



OSTRZEŻENIE

Można się poparzyć od gorących powierzchni!

Urządzenie to nagrzewa się podczas pracy. Nie dotykaj gorących palników, wewnętrznych sekcji piekarnika, elementów grzejnych itp. Zakaz zbliżania się dzieci! Do wkładania i wyjmowania potraw z gorącego piekarnika zawsze zakładaj odporne na wysokie temperatury rękawice.

Piekarnik elektryczny

1. Wyjmij z piekarnika wszystkie foremki do pieczenia i ruszt.
2. Zamknij drzwiczki piekarnika.
3. Wybierz pozycję „Static” (Statyczne)
4. Wybierz najwyższą moc grilla; patrz *Jak obsługiwać piekarnik elektryczny, strona 22*.
5. Niech piekarnik pracuje przez ok. 30 minut.
6. Wyłącz piekarnik; patrz *Jak obsługiwać piekarnik elektryczny, strona 22*

Piekarnik z grillem

1. Wyjmij z piekarnika wszystkie foremki do pieczenia i ruszt.
2. Zamknij drzwiczki piekarnika.
3. Wybierz najwyższą moc grilla; patrz *Jak obsługiwać grill, strona 27*.
4. Niech piekarnik pracuje przez ok. 30 minut.
5. Wyłącz grill; patrz *Jak obsługiwać grill, strona 27*



W trakcie pierwszego uruchomienia przez parę godzin mogą się wydzielać dym i zapach. Jest to całkiem normalne. Zadbaj o dobrą wentylację kuchni i pozbadź się dymu i zapachu. Nie wdychać bezpośrednio powstającego dymu i zapachu.

5 Jak używać płyty kuchennej

Ogólne informacje o gotowaniu



Nigdy nie wolno napełniać rondla olejem powyżej jednej-trzeciej jego pojemności. Podczas podgrzewania oleju nie wolno pozostawiać płyty bez nadzoru. Przegrzany olej może zapalić się. **Nigdy nie wolno gasić ognia wodą!** Gdy olej się zapali, natychmiast przykryć go kocem gaśniczym lub wilgotną szmatą. Gdy już będzie to bezpieczne należy wyłączyć kuchenkę i zadzwonić po straż pożarną.

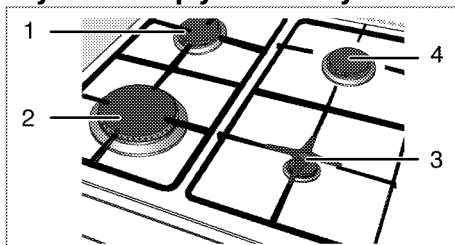
- Przed smaženiem potrawy zawsze dokładnie ją osusz, a potem delikatnie ją połóż na gorącym oleju. Przed smaženiem mrozonek upewnij się, że całkowicie odtają.
- Nie przykrywaj naczynia, w którym podgrzewasz olej.
- Patelnie i rondle ustawiaj tak, aby ich trzonki nie były nad płytą, co zapobiegnie ich nagrzewaniu się. Nie stawiaj na płycie naczyń niewyważonych i takich, które łatwo mogą się przechylić.
- Nie stawiaj pustych naczyń ani garnków na załączonych strefach gotowania. Mogą się uszkodzić.
- Załączenie strefy gotowania, na której nie stoi zadno naczynie ani garnek, może uszkodzić ten wyrób. Po zakończeniu gotowania wyłącz strefy gotowania.
- Ponieważ powierzchnia tego wyrobu może być gorąca, nie stawiaj na niej naczyń plastikowych ani aluminiowych. W naczyniach takich także nie należy przechowywać żywności.
- Używaj tylko garnków i naczyń z płaskim dnem.
- Do garnków i patelni wkładaj odpowiednie ilości żywności. Tym samym zapobiegasz oprzelaniu suie zawartosci naczynia, a więc unikasz niepotrzebnego czyszczenia. Nie kładź pokrywek garnków ani patelni na strefach gotowania.

Garnki ustawiaj w środku strefy gotowania. Aby przenieść garnek do innej strefy gotowania, podnieś go i postaw w tej strefie zamiast go przesuwając.

Gotowanie na gazie

- Rozmiar naczynia musi odpowiadać wielkości płomienia. Nastaw płomień gazu tak, aby nie wystawał poza dno naczynia i ustaw naczynie w środku podstawki pod nie.

Użytkowanie płyt kuchennych



- 1 Palnik normalny 18-20 cm
- 2 Palnik szybki 22-24 cm
- 3 Palnik pomocniczy 12-18 cm
- 4 Palnik normalny 18-20 cm to wykaz zalecanych średnic garnków do użytku na odnośnych palnikach.

Symbol dużego płomienia oznacza największą moc gotowania, symbol małego płomienia zaś oznacza moc najmniejszą. W pozycji wyłączonej (górnej) gaz nie dopływa do palników.

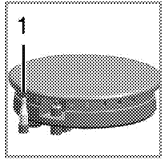
Zapalanie palników gazowych

1. Wciśnij i przytrzymaj pokrętko palnika.
 2. Obróć je w lewo, do symbolu dużego płomienia.
- » Gaz zapala się od wywołanej iskry.
3. Nastaw wymaganą moc gotowania.

Wyłączanie palników gazowych

Obróć pokrętko strefy utrzymywania w ciepłe w pozycję wyłączoną (górną).

System bezpiecznego odcinania dopływu gazu (w modelach z elementem termicznym)



1. Bezpieczne odcięcie dopływu gazu.

Jako środek zapobiegania wybuchowi skutkiem zalania palników przelewającym się płynem, mechanizm zabezpieczający automatycznie zmniejsza dopływ gazu i odcina go.

- Aby zapalić gaz, wciśnij pokrętkę i obróć je w lewo.

- Aby uruchomić to zabezpieczenie, po zapaleniu gazu przytrzymaj pokrętkę wciśniętą przez kolejne 3-5 sekund.
- Jeśli gaz nie zapalił się po wciśnięciu i zwolnieniu tego pokrętkę, powtórz te same czynności utrzymując pokrętkę wciśniętą przez 15 sekund.



ZAGROŻENIE:

Jeśli w ciągu 15 sekund nie dojdzie do zapłonu gazu, zwolnij przycisk.

Odczekaj co najmniej 1 minutę, zanim ponowisz próbę. Istnieje groźba akumulacji gazu i wybuchu!

6 Jak obsługiwać piekarnik

Ogólne informacje o pieczeniu ciast i mięs oraz o grillowaniu.



OSTRZEŻENIE

Można się poparzyć od gorących powierzchni!
Urządzenie to nagrzewa się podczas pracy. Nie dotykaj gorących palników, wewnętrznych sekcji piekarnika, elementów grzejnych itp. Zakaz zbliżania się dzieci!
Do wkładania i wyjmowania potraw z gorącego piekarnika zawsze zakładaj odporne na wysokie temperatury rękawice.



ZAGROŻENIE:

Otwierając drzwiczki piekarnika zachowaj ostrożność, bo może uolotnić się z niego para.
Taka ulatniająca się para może poparzyć dłonie, twarz i oczy.

Wskazówki do pieczenia ciasta

- Używaj stosownych naczyń metalowych z powłokami nieprzylegającymi, pojemników aluminiowych, lub żaroodpornych form silikonowych.
- Rób najlepszy użytek z miejsca na półce.
- Foremkę do pieczenia stawiaj w środku półki.
- Prze założeniem piekarnika lub grilla wybierz właściwą pozycję półki. Nie zmieniaj pozycji półki, gdy kuchenka jest gorąca.
- Zamknij drzwiczki piekarnika i nie otwieraj ich.

Wskazówki do pieczenia mięsa

- Przyprawienie całych kurcząt, indyków i dużych porcji mięsa, np. sokiem z cytryny ;in czarnym pieprzem przed pieczeniem podniesie jego wydajność.
- Pieczenia mięsa z kością trwa ok. 15 - 30 minut dłużej niż pieczenie takiego samego kawałka bez kości.
- Na upieczenie jednego centymetra grubości mięsa potrzeba ok. 4 do 5 minut.
- Po zakończeniu pieczenia pozostaw pieczeń w piekarniku na ok. 10 minut. Soki lepiej rozchodzą się po całej pieczeni i nie wyciekają przy jej krojeniu.

- Ryby należy piec na półce środkowej lub dolnej na żaroodpornym talerzu.

Wskazówki do grillowania

Mięso, ryby i drób szybciej rumienią się, gdy się je grilluje, zachowują miłą kruchość i nie wysychają. Do grillowania szczególnie nadają się płaskie kawałki, nadziane na szpikulec szaszłyki i kiełbaski, a także warzywa o znacznej zawartości wody, takie jak pomidory i cebule.

- Rozłóż kawałki mięsa do grillowania na ruszcie drucianym lub w foremce do pieczenia z rusztem drucianym w taki sposób, aby pokryta nimi powierzchnia nie wystawała poza grzałkę.
- Wsuń ten ruszt druciany lub foremkę do pieczenia z rusztem na wybrany poziom w piekarniku. Jeśli grillujesz na ruszcie drucianym, na dolną półkę wsuń foremkę do pieczenia na kąpiący tłuszcz. Aby łatwiej oczyścić to naczynie z tłuszczu wlej do niego trochę wody.



Żywność nie nadająca się do grillowania stwarza zagrożenie pożarowe. Do grillowania używaj wyłącznie żywności, która nadaje się do przyrządzania w wysokich temperaturach.
Nie wkładaj żywności do grilla zbyt głęboko. Tam jest najgoręcej i tłusta żywność może się zapalić.

Jak obsługiwać piekarnik elektryczny



Przed użyciem piekarnika należy nastawić czas. Bez nastawienia czasomierza, piekarnik nie będzie działać.

Wybieranie temperatury i trybu pracy



- 1 Pokrętko wyboru funkcji
- 2 Pokrętko termostatu

1. Nastaw pokrętko Temperature na wybraną temperaturę.

2. Nastaw pokrętko Function [Funkcja] na wybrany tryb pracy.

» Piekarnik nagrzewa się do nastawionej temperatury i utrzymuje ją. W trakcie nagrzewania lampka temperatury pozostaje zapalona.

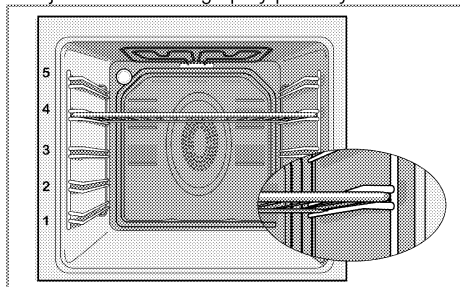
Wyłączenie piekarnika elektrycznego

Przekręć pokrętkę funkcji i temperatury w górne pozycje „off” („wył.”).

Pozycje stelażu (modele z rusztem drucianym)

Ważne jest, aby prawidłowo umieszczać ruszt druciany na półce drucianej. Ruszt druciany trzeba wsadzić pomiędzy półki druciane jak pokazano na rysunku.

Ruszt druciany nie może opierać się o tylną ścianę piekarnika. Aby poprawić wydajność grillowania, przesunij ruszt druciany do przedniej sekcji stelażu i ustal go przy pomocy drzwiczek.



Tryby pracy

Podana tutaj kolejność trybów pracy może różnić się od ich układu dla tego urządzenia.

Grzałki górna i dolna



Grzałki górna i dolna działają. Żywność nagrzewana jest równocześnie od góry i od dołu. Na przykład, nadaje się do ciasta, ciasteczek oraz ciasta i zapiekanek w foremkach do pieczenia. Piecz w jednej tylko blasze.

Grzałka dolna



Pracuje tylko grzałka dolna. Nie nadaje się do pizzy ani do rumienienia potrawy od spodu po upieczeniu.

Grzanie dolne/górne z termoobiegiem



Działają grzałki górna i dolna plus wentylator (w ścianie tylnej). Wentylator szybko równomiernie rozprowadza gorące powietrze po całym piekarniku. Piecz w jednej tylko blasze.

Praca z wentylatorem.



Piekarnik nie jest nagrzewany. Pracuje tylko wentylator (w ścianie tylnej). Nadaje się od powolnego odtajania mrozonek ziarnistych w temperaturze pokojowej lub studzenia potraw gotowanych.

Termoobieg



Gorące powietrze nagrzane grzałką tylną jest bardzo szybko równomiernie rozprowadzane w całym piekarniku przez wentylator. Jest to przydatne do gotowania potraw na różnych poziomach półek i w większości przypadków nie potrzeba wstępnego podgrzewania. Nadaje się do pieczenia w kilku blachach na raz.

Funkcja "3D"



Działają grzałki górna i dolna i nagrzewanie z termoobiegiem (w ścianie tylnej). Potrawy pieką się równomiernie i szybko rumienią. Piecz w jednej tylko blasze.

Grill+termoobieg



Efekt grillowania nie jest tak mocny, jak przy Full Grill.

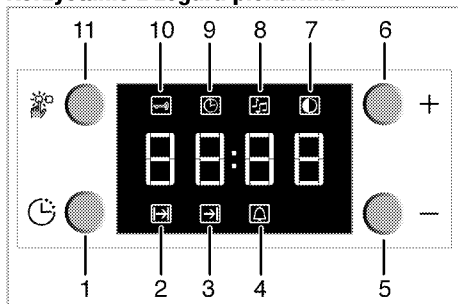
- Do grillowania połóż małe lub średnie porcje na odpowiednio ustawionej półce pod grzałką grilla.
- Nastawianie wybranej temperatury
- Obróć potrawę po upływie połowy czasu grillowania.

Full grill z różnym obrotowym






Działają Full Grill i rożen obrotowy. Nadaje się do grillowania i pieczenia dużych porcji mięsa

Korzystanie z zegara piekarnika



- 1 Klawisz programu
- 2 Czas gotowania
- 3 Koniec czasu gotowania
- 4 Symbol alarmu
- 5 Klawisz minus
- 6 Klawisz plus
- 7 Ustawienia jasności ekranu
- 8 Głośność alarmu
- 9 Bieżący czas
- 10 Blokada przycisków
- 11 Klawisz regulacji

	Najdłuższy czas, na który można nastawić koniec procesu gotowania, to 5 godziny, 59 minut. W razie przerwy w zasilaniu program kasuje się. Trzeba zaprogramować piekarnik od nowa.
	Przy każdej regulacji na wyświetlaczu migają będą odnośne symbole. Trzeba odczekać chwilę, aż ustawienia zaczną działać.
	Jeśli nie nastawi się żadnych ustawień pieczenia, nie można nastawić godziny.
	Po rozpoczęciu gotowania wyświetli się czas gotowania.

Pieczenie o nastawionej godzinie:


Można tak ustawić piekarnik, aby wyłączył się o określonej, nastawionej na zegarze godzinie.

1. Aby nastawić czas pieczenia naciśnij przycisk programu (1) i załącz symbol czasu pieczenia (2).
2. Aby nastawić godzinę pieczenia naciskaj przyciski '-' / '+' (5/6).
» Po nastawieniu godziny pieczenia symbol pieczenia wyświetlać się będzie ciągle.

Jeśli zechcesz nastawić zakończenie pieczenia na późniejszą godzinę:

Po nastawieniu godziny pieczenia na zegarze można nastawić późniejszą godzinę zakończenia pieczenia.

1. Aby nastawić czas pieczenia naciśnij przycisk programu (1) i załącz symbol czasu pieczenia (2).
2. Nastaw czas pieczenia przyciskami minus (5) i plus (6).
» Po nastawieniu czasu pieczenia symbol czasu nadal (ciągle) się pali.
3. Aby nastawić godzinę zakończenia pieczenia, naciśnij przycisk programu (1) i załącz symbol czasu gotowania (3).
4. Naciśnij przyciski- (5) oraz + (6) aby nastawić godzinę zakończenia pieczenia.
» Po nastawieniu czasu zakończenia pieczenia symbole końca pieczenia i pieczenia będą wyświetlać się ciągle. Symbol końca czasu pieczenia(3) zniknie, gdy tylko pieczenie się rozpocznie.
5. Wstaw naczynie z potrawą do piekarnika.
6. Wybierz tryb pracy i temperaturę.
» Czasomierz piekarnika automatycznie oblicza godzinę rozpoczęcia pieczenia na podstawie godziny końca gotowania i jego czasu trwania. Gdy nadejdzie godzina rozpoczęcia gotowania, aktywuje się wybrany tryb pracy i piekarnik nagrzewa się do nastawionej temperatury. Utrzymuje tę temperaturę przez cały czas pieczenia.
7. Po zakończeniu procesu gotowania wyświetli się "End" i odezwie alarm.
8. Dźwięk alarmu trwa 2 minuty. Aby wyłączyć alarm, naciśnij dowolny klawisz. Alarm ucichnie i wyświetli się bieżąca godzina.

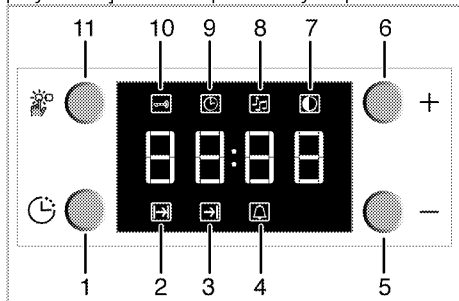
	Jeśli ściszy się alarm naciśnięciem dowolnego klawisza, piekarnik ponownie się uruchomi. Jeśli na koniec czasu alarmu przyciśnie się dowolny przycisk, piekarnik ponownie się uruchomi.
---	--

9. Wyłącz piekarnik pokrętełtem temperatury lub pokrętełtem funkcji.

Blokada przycisków

Zakładanie blokady przycisków

Uruchamiając funkcję Keylock [Blokada przycisków] można zapobiec użyciu piekarnika.



- 1 Klawisz programu
- 2 Czas gotowania
- 3 Koniec czasu gotowania
- 4 Symbol alarmu
- 5 Klawisz minus
- 6 Klawisz plus
- 7 Ustawienia jasności ekranu
- 8 Głośność alarmu
- 9 Bieżący czas
- 10 Blokada przycisków
- 11 Klawisz regulacji

1. Naciśnij przycisk (11) aby zapalić symbol Keylock [Blokada] (10).
- » Na wyświetlaczu pojawi się "OFF" [WYŁ].
2. Naciśnij przycisk '+' (6), aby załączyć blokadę przycisków.
- » Po założeniu blokady, "On" [Zał.] pojawi się na wyświetlaczu, a symbol Keylock [Blokada] (10) pali się nadal.



Przy założonej blokadzie nie można użyć żadnego z przycisków panelu sterowania z wyjątkiem (11).

Wyłączenie blokady przycisków

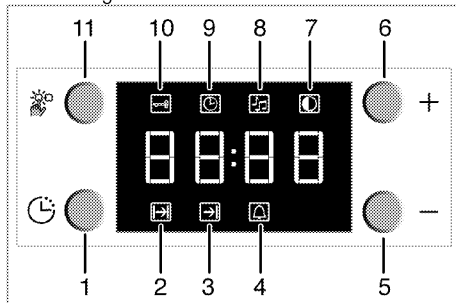
1. Naciśnij przycisk Adjustment [Regulacja] (11), aby zapalić symbol Keylock [Blokada] (10).
- » Na wyświetlaczu pojawi się "On" [Zał.].
2. Naciśnij przycisk '-' (5), aby wyłączyć blokadę przycisków.
- » Po wyłączeniu blokady wyświetli się "OFF" [WYŁ].

Zegar jako programator alarmu

Poza programowaniem pieczenia zegara w piekarniku można użyć do nastawiania dowolnych ostrzeżeń lub przypomnień.

Alarm czasowy nie wpływa na inne funkcje piekarnika. Używa się go tylko do ostrzegania. Na przykład przydaje się, gdy chce się obrócić potrawę w piekarniku o określonej godzinie.

Alarm czasowy sygnalizuje upływanie ustawionego czasu.



- 1 Klawisz programu
- 2 Czas gotowania
- 3 Koniec czasu gotowania
- 4 Symbol alarmu
- 5 Klawisz minus
- 6 Klawisz plus
- 7 Ustawienia jasności ekranu
- 8 Głośność alarmu
- 9 Bieżący czas
- 10 Blokada przycisków
- 11 Klawisz regulacji

Ustawianie alarmu czasowego

1. Naciśnij przycisk Program (1), aby zapalić symbol alarmu czasowego (4).



Najdłuższy czas alarmu to 23 godziny i 59 minut.

2. Nastaw czas alarmu przyciskami Minus (5) i Plus (6).
- » Symbol alarmu nadal się pali, a gdy ustawi się godzinę alarmu, pojawi się na wyświetlaczu.
3. Po upływie czasu alarmu symbol Alarm Time [Czasu alarmu] zaczyna migać i odzywa się sygnał alarmowy.

Wyłączenie alarmu

1. Aby wyłączyć alarm, wystarczy nacisnąć dowolny klawisz.
- » Alarm ucichnie i wyświetli się bieżąca godzina.

Jeśli chcesz skasować alarm:

1. Aby wyzerować czas alarmu naciska się klawisz Program (1), aby uaktywnić symbol czasu alarmu (4).

2. Naciśnij i przytrzymaj klawisz Minus (5), aż wyświetli się "00:00".



Wyświetli się czas alarmu. Jeśli równocześnie nastawi się czas alarmu i czas pieczenia, wyświetli się krótszy z nich.

Zmiana dźwięku alarmu

1. Naciśnij przycisk Setting [Ustawienie] (11), aby zapalić symbol Alarm Tone [Dźwięk alarm] (8).
2. Nastaw dźwięk przyciskami Minus (5) i Plus (6).

» Wybrane dźwięki alarmy wyświetlą się na ekranie jako **b-01**, **b-02** lub **b-03**.

Tabela czasów pieczenia



Podane w tabeli czasy są tylko orientacyjne. Mogą się różnić, zależnie od rodzaju żywności, grubości, rodzaju i preferencji kulinarnych.

Pieczenie ciast i mięs



Pierwsza półka w piekarniku to półka dolna.

Potrawa	Numer poziomu gotowania		Pozycja półki	Temperatura (°C)	Czas pieczenia (ok., w min.)
Ciasto na blasze*	Jeden poziom	☐	4	175	30 ... 35
Ciasto w foremce*	Jeden poziom	☒	2	180	40 ... 50
Ciasta w papierze*	Jeden poziom	☐	3	175	25 ... 30
	2 poziomy	☒	1 - 5	175	30 ... 40
	3 poziomy	☒	1 - 3 - 5	180	45 ... 55
Ciasto biszkoptowe*	Jeden poziom	☐	3	200	5 ... 10
	2 poziomy	☒	1 - 5	175	18 ... 25
Ciasteczka*	Jeden poziom	☐	3	175	20 ... 25
	2 poziomy	☒	1 - 5	175	25 ... 30
	3 poziomy	☒	1 - 3 - 5	175	30 ... 40
Ciasto*	Jeden poziom	☐	2	200	30 ... 40
	2 poziomy	☒	1 - 5	200	45 ... 55
	3 poziomy	☒	1 - 3 - 5	200	55 ... 65
Ciasto słodkie*	Jeden poziom	☐	2	200	25 ... 35
	2 poziomy	☒	1 - 5	200	30 ... 40
	3 poziomy	☒	1 - 3 - 5	190	40 ... 50
Ciasto na zaczynie*	Jeden poziom	☐	2	200	35 ... 45
	2 poziomy	☒	1 - 3	200	35 ... 45
Lazanie*	Jeden poziom	☐	2 - 3	200	30 ... 40
Pizza*	Jeden poziom	☐	2	200 ... 220	15 ... 20
Stek wołowy/ pieczeń wołowa	Jeden poziom	☒	3	25 min. 250/maks. następnie 180... 190	100 ... 120
Udziec jagnięcy (zapiekanka)	Jeden poziom	☒	3	25 min. 250/maks. następnie 190	70 ... 90
Pieczone kurczęta	Jeden poziom	☒	2	15 min. 250/maks. następnie 180... 190	65 ... 70
	Jeden poziom	☒	2	15 min. 250/maks. następnie 180... 190	55 ... 65
Indyk (5.5 kg)	Jeden poziom	☒	2	25 min. 250/maks. następnie 180... 190	150 ... 210
	Jeden poziom	☒	2	25 min. 250/maks. następnie 180... 190	150 ... 210
Ryby	Jeden poziom	☒	3	200	20 ... 30
	Jeden poziom	☒	3	200	20 ... 30

Przy pieczeniu równocześnie w dwóch blachach, głębszą blachę stawia się na półce górnej, a blachę płytszą na dolnej.
* Sugeruje się, aby wstępnie nagrzewanie stosować przy wszystkich potrawach.

(**) Przy pieczeniu, które wymaga wstępnego podgrzania, podgrzewaj na początku pieczenia, aż zgaśnie lampka termostatu.

Wskazówki do pieczenia ciasta

- Jeśli ciasto jest zbyt suche, zwiększ temperaturę o ok. 10 i skróć czas pieczenia.
- Jeśli ciasto jest wilgotne, użyj mniej płynu lub obniż temperaturę o 10°C.
- Jeśli ciasto jest zbyt ciemne z góry, umieść je na dolnej półce, obniż temperaturę i przedłuż czas pieczenia.
- Jeśli jest dobrze wypieczone wewnątrz, ale klei się na zewnątrz, użyj mniej płynu, obniż temperaturę i przedłuż czas pieczenia.

Wskazówki przy pieczeniu ciasta

- Jeśli ciasto jest zbyt suche, zwiększ temperaturę o ok. 10 i skróć czas pieczenia. Nawilż warstwę ciasta sosem złożonym z mleka, oleju, jajka i jogurtu.
- Jeśli pieczenie ciasta trwa zbyt długo, sprawdź czy grubość przygotowanego ciasta nie przekracza głębokości blachy.
- Jeśli góra ciasta brązowieje, ale dolna część nie jest upieczona, sprawdź, czy na dnie ciasta nie ma zbyt wiele użytego dom pieczenia sosu. Aby ciasto brązowało równomiernie postaraj się rozprowadzić sos równo pomiędzy warstwami i górą ciasta.



Piecz ciasto zgodnie z trybem i temperaturą podanymi w tabeli gotowania. Jeśli dół nadal nie dość się zabarzył, następnym razem umieść ciasto na dolnej półce.

Wskazówki przy gotowaniu jarzyn

- Jeśli potrawa warzywna puszcza soki i zbyt szybko wysycha, gotuj ją w garnku z pokrywką zamiast blachy. Zamknięte naczynia zatrzymują sok z potrawy.
- Jeśli potrawa warzywna nie uduła się, najpierw ugotuj te warzywa lub przegotuj je jak potrawę z puszkii i wsadź do piekarnika.

Jak obsługiwać grill



Przed użyciem piekarnika należy nastawić czas. Bez nastawienia czasomierza, piekarnik nie będzie działał.



OSTRZEŻENIE

Zamykaj drzwiczki na czas grillowania. Można się poparzyć od gorących powierzchni!

Załączanie grilla

1. Obróć pokrętko Function [Funkcja] wybranego do symbolu grilla.
 2. Następnie nastaw wybraną temperaturę grillowania.
 3. W razie potrzeby nagrzewaj grill przez ok. 5 minut.
- » Zapali się lampka temperatury.

Wyłączanie grilla

1. Obróć pokrętko Function [Funkcja] do górnej pozycji "Off" ("wył.").



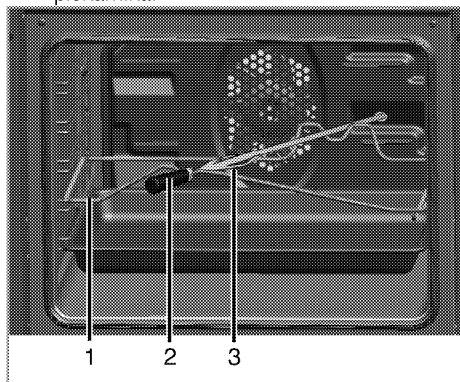
Żywność nie nadająca się do grillowania stwarza zagrożenie pożarowe. Do grillowania używaj wyłącznie żywności, która nadaje się do przyrządzania w wysokich temperaturach. Nie wkładaj żywności do grilla zbyt głęboko. Tam jest najgoręcej i tłusta żywność może się zapalić.

Funkcja Turnspit [Rożno obrotowe]

Gdy wybrano funkcję grilla, silnik rożna obrotowego zacznie się obracać.

- Po wybraniu funkcji Grill, przy pomocy widelca nadziej mięso lub kurczaki na rożno.
- Wsadź rożno w jego gniazdo w silniku obrotowym umieszczonym w tylnej ścianie piekarnika. Wsadź rożno w ramę.
- Wstaw ramę w odpowiednią półkę w piekarniku.
- Na jednej z półek poniżej ustaw tackę do zbierania tłuszczu. Aby łatwiej było ją potem oczyścić, nalej do tacki trochę wody.
- Nie zapomnij zdjąć z rożna plastikowego uchwyty.

- Po ukończeniu pieczenia załóż ten plastikowy uchwyt i wyjmij potrawę z piekarnika.



- 1 Rama różna obrotowego
- 2 Uchwyt plastikowy
- 3 Widelec

Tabela czasów pieczenia przy grillowaniu

Grillowanie na grillu elektrycznym

Potrawa	Poziom	Czas grillowania
Ryby	4..5	20...25 min. [#]
Sznycle z kurczaka	4..5	25...35 min.
Kotlety jagnięce	4..5	20...25 min.
Pieczeń wołowa	4..5	25...30 min. [#]
Kotlety cielęce	4..5	25...30 min. [#]
Opiekanie chleba	4	1...2 min.
[#] zależnie od grubości		

7 Czyszczenie i konserwacja

Informacje ogólne

Okres użytkowania tego wyrobu przedłuży się, a problemy stana się rzadsze, jeśli wyrób ten czyści się w regularnych odstępach czasu.



ZAGROŻENIE:

Przed konserwacją i czyszczeniem, odłącz piekarnik od sieci.
Grozi to porażeniem elektrycznym!



ZAGROŻENIE:

Przed czyszczeniem piekarnika odczekaj, aż ostygnie.
Można się poparzyć od gorących powierzchni!

- Po każdym użyciu dokładnie oczyść ten wyrób. Dzięki temu łatwiej będzie usuwać pozostałości pieczenia, unikając tym samym ich zapalenia się na następnym użyciu piekarnika.
- Do jego czyszczenia nie potrzeba żadnych specjalnych środków czyszczących. Wyrób ten czyści się miękką ściereczką lub gąbką i ciepłą wodą z mydłem w płynie, i wyciera suchą ściereczką.
- Pamiętaj, aby zawsze starannie wycierać nadmiar płynu po czyszczeniu i natychmiast wycierać wszystko, co się rozleje.
- Do czyszczenia powierzchni i klamki ze stali nierdzewnej nie używaj środków czyszczących zawierających kwas lub chlorek. Części te wyciera się do czysta miękką ściereczką z detergentem w płynie (nie w proszku), najlepiej ruchami w tym samym kierunku.
- Do czyszczenia szklanej pokrywy nie używaj skrobaczek do metalu ani szorstkich środków czyszczących. Można tak uszkodzić powierzchnię szklaną.



Pewne detergenty lub środki czyszczące mogą uszkodzić powierzchnię.
Nie używaj agresywnych detergentów, proszku/mleczka do czyszczenia, ani żadnych ostrych przedmiotów.



Do czyszczenia tego urządzenia nie używaj urządzeń parowych, ponieważ może to spowodować porażenie prądem.

Oczyszczenie płyty

Płyty gazowe

1. Wyjmij i oczyść podstawki pod garnki i kołpaki palników.
2. Oczyść płytę.
3. Załóż kołpaki na palniki i upewnij się, że leżą na nich jak należy.
4. Przy instalowaniu górnych grilli zwróć uwagę, na takie umieszczenie podstawek, aby palniki były w ich środku.

Czyszczenie panelu sterowania

Panel sterowania i pokrętał czyści się wilgotną ściereczką i wyciera do sucha.

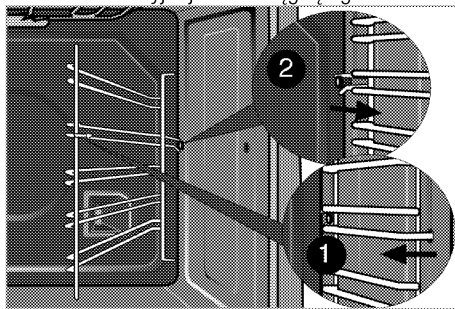


Nie zdejmuj przycisków/pokręteł do czyszczenia panelu sterowania.
Możesz uszkodzić panel sterowania!

Czyszczenie piekarnika

Aby oczyścić ścianę boczną

1. Wyjmij przednią sekcję stelaża bocznego wyciągając go w przeciwnym kierunku do ściany bocznej.
2. Całkiem wyjmij stelaż ciągnąc go do siebie.



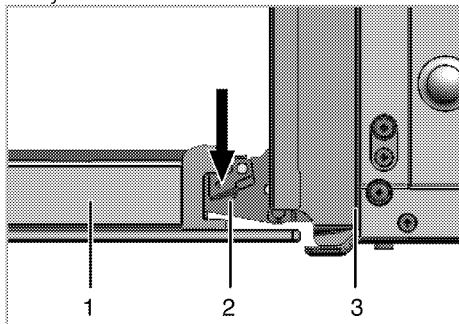
Czyszczenie drzwiczek piekarnika

Drzwiczki piekarnika czyści się miękką ściereczką lub gąbką i ciepłą wodą z mydłem w płynie, i wyciera suchą ściereczką.

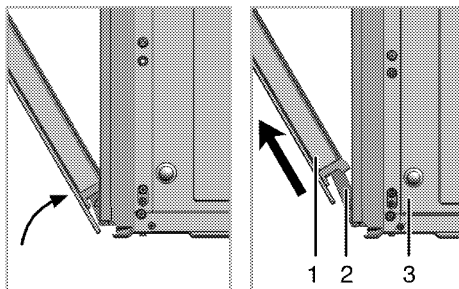
i Do czyszczenia drzwiczek piekarnika nie używaj żadnych szorstkich środków czyszczących ani skrobaczek metalowych. Mogą porysować powierzchnię i zniszczyć szybę.

Przenoszenie drzwiczek piekarnika.

1. Otwórz drzwiczki przednie (1).
2. Otwórz zacisk w obudowie zawiasu (2) po prawej i lewej stronach drzwiczek przednich przyciskając je ku dołowi, jak pokazano na rysunku.



- 1 Drzwiczki przednie
- 2 Zawias
- 3 Piekarnik



3. Przesuń drzwiczki przednie w pół drogi.
4. Zdejmij drzwiczki przednie ciągnąc je ku górze aby uwolnić je z prawych i lewych zawiasów.

i Kroki procesu wyjmowaniu drzwiczek powtarza się w odwrotnej kolejności przy ich zakładaniu. Przy zakładaniu drzwi z powrotem nie zapomnij zamknąć zacisk w obudowie zawiasu.

Wymiana lampki w piekarniku

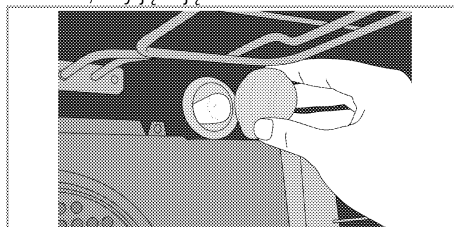
! ZAGROŻENIE:
Aby uniknąć zagrożenia porażeniem elektrycznym, zanim wymienisz lampkę upewnij się, że piekarnik jest odłączony od sieci zasilającej i że ostygł. Można się poparzyć od gorących powierzchni!

i Lampka w piekarniku to specjalna żarówka odporna na temperatury do 300 °C. Patrz *Dane techniczne, strona 13*, w których podano szczegóły. Lampki do piekarnika można nabyć u autoryzowanego przedstawiciela serwisu.

i Lampka może być umieszczona gdzie indziej niż na rysunku.

Jeśli w piekarniku jest lampka okrągła:

1. Odłącz piekarnik od sieci zasilającej.
2. Odkręć szklaną pokrywę, przekręcając ją w lewo, aby ją zdjąć.



3. Wyjmij lampkę z piekarnika przekręcając ją w lewo i wymień ją na nową.
4. Załóż szklaną pokrywę.

8 Rozwiązywanie problemów

W czasie pracy piekarnik wydziela parę.

- Ulatnianie się pary w trakcie pracy jest normalnym zjawiskiem. >>> *To nie jest awaria.*

Przy nagrzewaniu i studzeniu urządzenia słychać metaliczne odgłosy.

- Podgrzewane części metalowe mogą się rozszerzać i wydawać dźwięki. >>> *To nie jest awaria.*

Produkt nie działa.

- Bezpiecznik uszkodzony lub zadziałał. >>> *Sprawdź bezpieczniki w skrzynce bezpiecznikowej. W razie potrzeby wymień je lub załącz.*
- Piekarnik nie jest przyłączony do (uziemionego) gniazdka. >>> *Sprawdź kontakt wtyczki.*
- Przyciski/pokręta/klawisze na panelu sterowania nie działają. >>> *Być może założono blokadę przycisków. Prosimy wyłączyć ją. (Patrz: Blokada przycisków, strona 25)*

Nie świeci lampka w piekarniku.

- Lampka w piekarniku jest uszkodzona. >>> *Wymień lampkę w piekarniku.*
- Brak zasilania. >>> *Sprawdź, czy jest prąd. Sprawdź bezpiecznik w skrzynce bezpiecznikowej. W razie potrzeby wymień je lub załącz.*

Piecycik nie grzeje.

- Pokrętko funkcji i/lub temperatury nie są ustawione >>> *Ustaw funkcję i temperaturę pokrętkami/klawiszami funkcji i/lub temperatury.*
- W modelach z programatorem czasowym, nie nastawiono programatora >>> *Nastaw zegar. (W produktach z piekarnikiem mikrofalowym, regulator czasowy steruje tylko piekarnikiem mikrofalowym.)*
- Brak zasilania. >>> *Sprawdź, czy jest prąd. Sprawdź bezpiecznik w skrzynce bezpiecznikowej. W razie potrzeby wymień je lub załącz.*

Nie zapala się iskra zapłonowa.

- Nie ma prądu. >>> *Sprawdź bezpiecznik w skrzynce bezpiecznikowej.*
- Nie nastawiono czasu. >>> *Nastaw czasomierz.*

Nie ma gazu.

- Zamknięty jest kurek zasilania z sieci gazowej. >>> *Odkręć kurek dopływu gazu.*
- Przewód doprowadzania gazu jest zagięty. >>> *Prawidłowo zamontuj przewód doprowadzania gazu.*

Palniki palą się nierówno albo wcale.

- Palniki są brudne. >>> *Oczyść elementy palników.*
- Palniki są mokre. >>> *Osusz elementy palników.*
- Kołpak palnika nie trzyma się mocno. >>> *Prawidłowo załóż elementy palnika.*
- Zamknięty jest kurek zasilania z sieci gazowej. >>> *Odkręć kurek dopływu gazu.*
- Butla z gazem jest pusta (w przypadku zasilania gazem LPG) >>> *Wymień butlę z gazem.*

(W modelach z programatorem czasowym) Wyświetlacz zegara miga lub pali się symbol zegara.

- Poprzednio nastąpił zanik zasilania. >>> *Nastaw zegar/ Wyłącz piekarnik i ponownie załącz go.*



Jeśli pomimo postępowania według instrukcji z tego rozdziału problem pozostaje, skonsultuj się z autoryzowanym agentem serwisowym lub sprzedawcą piekarnika. Nie próbuj samemu naprawiać zepsutego piekarnika.

BEKO S.A., ul. Cybernetyki 7B, 02-677 Warszawa
www.beko.com.pl e-mail: serwis@beko.com.pl, fax 22 321 0 691

INFOLINIA 222 50 14 14



Podpis i pieczęć instalatora (z numerem uprawnienia) w przypadku montażu urządzeń gazowych lub płyt i piekarników elektrycznych

Aby otrzymać więcej informacji dotyczących serwisu np. gdzie kupić części zamienne lub akcesoria należy odwiedzić stronę internetową www.beko.com.pl i wybrać zakładkę serwis.

Proszę zarejestrować swoje urządzenie na www.beko.com.pl, a otrzymasz dodatkowe korzyści (szczegóły na stronie internetowej)

Warunki Gwarancji

1. **BEKO S.A.** gwarantuje, że sprzęt zakupiony jest wolny od wad fizycznych. Odpowiedzialność **BEKO S.A.** z tytułu gwarancji obejmuje tylko wady sprzętu powstałe z przyczyn tkwiących w sprzęcie sprzedanym Klientowi, które ujawnią się w ciągu terminu określonego w punkcie 2 niniejszych warunków (zwanego dalej „**Okresem Gwarancyjnym**”).

W razie ujawnienia takich wad sprzętu w Okresie Gwarancyjnym zostaną one usunięte na koszt **BEKO S.A.** w sposób uzależniony od właściwości wady, na zasadach i w zakresie określonym w niniejszych warunkach.

2. Okres gwarancji wynosi **24 miesiące** licząc od daty zakupu.

Udzielona gwarancja nie obejmuje urządzeń zakupionych później niż 36 miesięcy licząc od daty produkcji sprzętu zgodnie z numerem seryjnym znajdującym się na tabliczce znamionowej urządzenia.

3. Zakres i sposób przeprowadzenia naprawy gwarancyjnej sprzętu lub jego wymiany w ramach udzielonej gwarancji określa **BEKO S.A.**

4. Udzielona Gwarancja jest ważna na terenie Rzeczypospolitej Polskiej. Uprawnienia wynikające z gwarancji można zrealizować wyłącznie w Autoryzowanych Punktach Serwisowych **BEKO S.A.** po uprzednim zgłoszeniu na Infolinii **BEKO S.A.**

5. Wady powstałe z przyczyn tkwiących w sprzedanym sprzęcie ujawnione w Okresie Gwarancyjnym, będą usuwane na podstawie ważnego dowodu zakupu (faktura lub paragon) oraz w wymaganych przypadkach

stempla instalatora z numerami uprawnień do montażu instalacji gazowych lub elektrycznych (w przypadku podłączenia elektrycznych płyt grzewczych i piekarników).

Sprzęt o wadze do 10 kg zgłaszający wadę fizyczną Klient powinien dostarczyć do Autoryzowanego Serwisu BEKO S.A. po uprzednim telefonicznym kontakcie z infolinią BEKO S.A. wraz z dowodem zakupu oraz w oryginalnym opakowaniu fabrycznym.

Sprzęt do zabudowy powinien być udostępniony do naprawy przez klienta lub sprzedawcę w sposób umożliwiający przystąpienie do jego naprawy przez pracowników Autoryzowanego serwisu BEKO S.A.

Wady fizyczne sprzętu sprzedanego Klientowi będą usuwane w następujących terminach:

– 14 dni od daty dostarczenia sprzętu do Autoryzowanego Serwisu BEKO S.A. (w przypadku sprzętu o wadze do 10 kg),

– 21 dni licząc od daty telefonicznego zgłoszenia na infolinię BEKO S.A. wady fizycznej sprzętu, nieobjętego obowiązkiem dostarczenia do Autoryzowanego punktu serwisowego BEKO S.A.

6. Jeżeli wymieniona w ramach uprawnień wynikających z udzielonej gwarancji część jest sprowadzana z zagranicy, termin naprawy nie powinien przekroczyć 30 dni licząc od daty zgłoszenia. Przekroczenie terminu 30 dni naprawy dopuszczane jest przez BEKO S.A. jedynie w sytuacji, gdy usterka nie wpływa na poprawność funkcjonowania sprzętu.

7. Sprzęt jest przeznaczony wyłącznie do eksploatacji w warunkach indywidualnego gospodarstwa domowego pod rygorem utraty uprawnień wynikających z gwarancji. Użytkowanie sprzętu winno odbywać się zgodnie z instrukcją obsługi.

8. Udzielona przez BEKO S.A. gwarancja nie obejmuje:

a) Czynności przewidzianych w instrukcji obsługi do wykonania których zobowiązany jest użytkownik urządzenia we własnym zakresie i na swój koszt m. in. : instruktażu dotyczącego obsługi urządzenia, instalacji i podłączenia sprzętu, konserwacji, wymiany bezpieczników, żarówek przygotowania instalacji elektrycznej oraz regulacji urządzenia gazowego (w tym ustawienia płomienia oszczędnościowego palników) wymiana dysz, itp.

b) usterek powstałych w wyniku nieprawidłowego lub niewłaściwego użytkowania, niedbalstwa, przypadkowego uszkodzenia sprzętu, nieodpowiedniego napięcia prądu lub dokonania jakichkolwiek zmian, które mają wpływ na niewłaściwe działanie urządzenia i które naprawiane były przez osoby nieupoważnione, używania instalacji niezgodnych z Polskimi Normami i innych niż wymienione w instrukcji obsługi sprzętu.

c) uszkodzeń mechanicznych, termicznych, chemicznych, korozji oraz wszystkich innych spowodowanych działaniem użytkownika lub zaniedbaniem użytkownika sprzętu oraz powstałych na skutek działania sił zewnętrznych (w szczególności wyładowania atmosferyczne, skoki napięcia, wszelkiego rodzaju awarie domowej instalacji wodno-kanalizacyjnej, użytkowanie sprzętu niezgodnie z instrukcją obsługi itp) a także powstałych na skutek przedostania się zanieczyszczeń lub ciał obcych do sprzętu,

d) nie podlegają gwarancji elementy ze szkła i plastiku oraz odbarwienia,

e) usterek powstałych w wyniku niewłaściwego montażu sprzętu w zabudowie meblowej.

f) usterek powstałych na skutek przechowywania i użytkowania urządzenia w warunkach, które są niezgodne z normalnymi warunkami domowymi określonymi wymaganiami powszechnie obowiązujących przepisów prawa i Polskich Norm.

9. Koszt wezwania serwisu do wykonania czynności wymienionych w punkcie 8 ponosi użytkownik.

10. Gwarancja na sprzedany towar konsumpcyjny nie wyłącza, nie ogranicza ani nie zawiesza uprawnień kupującego wynikających z niezgodności towaru z umową.

