



BUDF 700

Refrigerator
Chladnička
Chłodziarka
Chladnička
User Manual

BEKO

Please read this manual first!

Dear Customer,

We hope that your product, which has been produced in modern plants and checked under the most meticulous quality control procedures, will provide you an effective service.

For this, we recommend you to carefully read the entire manual of your product before using it and keep it at hand for future references.




This manual

- Will help you use your appliance in a fast and safe way.
- Read the manual before installing and operating your product.
- Follow the instructions, especially those for safety.
- Keep the manual in an easily accessible place as you may need it later.
- Besides, read also the other documents provided with your product.

Please note that this manual may be valid for other models as well.

Symbols and their descriptions

This instruction manual contains the following symbols:

-  Important information or useful usage tips.
-  Warning against dangerous conditions for life and property.
-  Warning against electric voltage.



This product bears the selective sorting symbol for waste electrical and electronic equipment (WEEE).

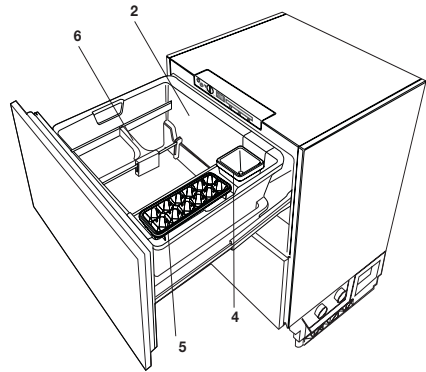
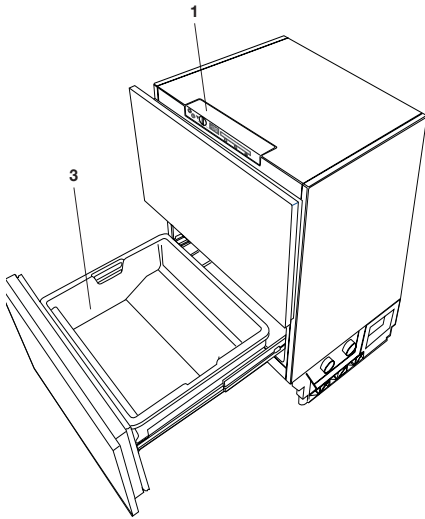
This means that this product must be handled pursuant to European Directive 2002/96/EC in order to be recycled or dismantled to minimize its impact on the environment. For further information, please contact your local or regional authorities.

Electronic products not included in the selective sorting process are potentially dangerous for the environment and human health due to the presence of hazardous substances.

Contents

1 Your refrigerator	3	5 Maintenance and cleaning	10
Technical specifications of your refrigerator		Protection of plastic surfaces	10
2 Warnings	4	6 Recommended solutions for the problems	11
General safety	4		
Starting Up	5		
If there are any children at home...	5		
Intended use	5		
Safety instructions	5		
3 Installation	6		
Preparation	6		
Points to be considered when re-transporting your refrigerator	6		
Before operating your refrigerator	6		
Electrical connection	7		
Disposing of the packaging	7		
Disposing of your old refrigerator	7		
Adjusting the legs	7		
4 Using your refrigerator	8		
Temperature setting button	8		
Storing the frozen food	8		
LED indicators and control panel	9		

1 Your refrigerator



- 1- Control panel
- 2- Big basket
- 3- Small Basket
- 4- Icebox
- 5- Ice container
- 6- Separator

i Figures that take place in this instruction manual are schematic and may not correspond exactly with your product. If the subject parts are not included in the product you have purchased, then it is valid for other models.

2 Warnings

Please examine the following information. In case these are not followed, personal injury or material damage may occur. Then all warranty and reliability commitments will become invalid.

The usage life of the unit you purchased is 10 years. This is the period for keeping the spare parts required for the unit to operate as described.

General safety

- When you want to dispose/scrap the product, we recommend you to consult the authorized service in order to learn the required information and authorized bodies.
- Consult your authorized service for all your questions and problems related to the refrigerator. Do not intervene or let someone intervene to the refrigerator without notifying the authorized services.
- Do not eat cone ice cream and ice cubes immediately after you take them out of the freezer compartment! (This may cause frostbite in your mouth.)
- Do not put bottled and canned liquid beverages in the freezer compartment. Otherwise, these may burst.
- Do not touch frozen food by hand; they may stick to your hand.
- Vapor and vaporized cleaning materials should never be used in cleaning and defrosting processes of your refrigerator. In such cases, the vapor might get in contact with the electrical parts and cause short circuit or electric shock.
- Never use the parts on your refrigerator such as the door as a means of support or step.
- Do not use electrical devices inside the refrigerator.
- Do not damage the cooling circuit, where the refrigerant is circulating, with drilling or cutting tools. The refrigerant that might blow out when the gas channels of the evaporator, pipe extensions or surface coatings are punctured may cause skin irritations and eye injuries.
- Do not cover or block the ventilation holes on your refrigerator with any material.
- Repairs of the electrical appliances must only be made by qualified persons. Repairs performed by incompetent persons may create a risk for the user.
- In case of any failure or during a maintenance or repair work, disconnect your refrigerator's mains supply by either turning off the relevant fuse or unplugging your appliance.
- Do not pull by the cable when pulling off the plug.
- Place the beverage with higher proofs tightly closed and vertically.
- Flammable items or products that contain flammable gases (e.g. spray) as well as the explosive materials should never be kept in the appliance.
- Do not use mechanical devices or other means to accelerate the defrosting process, others than those recommended by the manufacturer.

- This unit you have purchased is particularly environment-friendly.
- This appliance is not intended for use by persons (including children) with reduced physical, sensory or mental capabilities, or lack of experience and knowledge, unless they have been given supervision or instruction concerning use of the appliance by a person responsible for their safety.
- Children should be supervised to ensure that they do not play with the appliance

Starting Up

- Do not operate a damaged refrigerator. Consult your service if you have any doubts.
- Electrical safety of your refrigerator shall be guaranteed only if the earth system in your house complies with standards.

If there are any children at home...


- Do not allow children play with your refrigerator. They might harm themselves and the refrigerator. (E.g. do not allow them hang from the door.)

Intended use

- This product is designed for domestic use.
- It should not be used outdoors. It is not appropriate to use it outdoor even if the place is covered with a roof.

Safety instructions

- Exposing the product to rain, snow, sun and wind is dangerous with respect to electrical safety.
- Contact the authorized service when there is a power cable damage and etc. so that it will not create a danger for you.
- **Caution:** Never plug the refrigerator into the wall outlet during installation. Otherwise, risk of death or serious injury may arise.

 Your product is equipped with a natural cooling system (R600a) which does not contain CFC and HFC gases. This gas is flammable. Therefore, pay attention to not damaging the cooling system and piping during usage and transportation. In the event of damage, keep your product away from potential fire sources that can cause the product catch a fire and ventilate the room in which the unit is placed. Never dispose the product in fire.

Things to be done for energy saving

-  Do not leave the doors of your refrigerator open for a long time.
-  Do not put hot food or drinks in your refrigerator.
-  Do not overload your refrigerator so that the air circulation inside of it is not prevented.
-  Do not install your refrigerator under direct sunlight or near heat emitting appliances such as ovens, dishwashers or radiators.
-  Pay attention to keep your food in closed containers.

3 Installation

- ❶ Please remember that the manufacturer shall not be held liable if the information given in the instruction manual is not observed.

Preparation

- Your refrigerator should be installed at least 30 cm away from heat sources such as hobs, ovens, central heater and stoves and at least 5 cm away from electrical ovens and should not be located under direct sunlight.
- The ambient temperature of the room where you install your refrigerator should at least be 10°C. Operating your refrigerator under cooler conditions than this is not recommended with regard to its efficiency.
- Please make sure that the interior of your refrigerator is cleaned thoroughly.
- If two refrigerators are to be installed side by side, there should be at least 2 cm distance between them.
- When you operate your refrigerator for the first time, please observe the following instructions during the initial six hours.
 - Temperature adjustment button should not be turned off.
 - The door should not be opened frequently.
 - It must be operated empty without any food in it.
 - Do not unplug your refrigerator; if a power failure occurs out of your control, please see the warnings in the "Recommended solutions for the problems" section.

- Original packaging and foam materials should be kept for future transportations or moving.

Points to be considered when re-transporting your refrigerator

1. Your refrigerator must be emptied and cleaned prior to any transportation.
2. Shelves, accessories, crisper and etc. in your refrigerator must be fastened securely by adhesive tape against any jolt before repackaging.
3. Packaging must be tied with thick tapes and strong ropes and the rules of transportation printed on the package must be followed.

Please remember...

Every recycled material is an indispensable source for the nature and for our national resources.

If you wish to contribute to recycling the packaging materials, you can get further information from the environmental bodies or local authorities.

Before operating your refrigerator

Before starting to use your refrigerator check the following:

- 1- Is the interior of the refrigerator dry and can the air circulate freely in the rear of it?
- 2- Clean the interior of the refrigerator as recommended in the "Maintenance and cleaning" section.
- 3- Plug the refrigerator into the wall outlet. When the door is open the respective interior light will come on.

- 4- You will hear a noise as the compressor starts up. The liquid and gases sealed within the refrigeration system may also give rise to noise, even if the compressor is not running and this is quite normal. Due to the operation of fans inside the appliance, overall noise level is slightly higher in comparison to non-frost free appliances. This is quite normal and is not a fault.
- 5- Front edges of the refrigerator may feel warm. This is normal. These areas are designed to be warm to avoid condensation.

Electrical connection

Connect your refrigerator to a grounded socket which is being protected by a fuse with the appropriate capacity.

Important:

- The connection must be in compliance with national regulations.
 - The power cable plug must be easily accessible after installation.
 - Voltage and permitted fuse protection are indicated in the “Specifications” section.
 - The specified voltage must be equal to your mains voltage.
 - Extension cables and multiway plugs must not be used for connection.
- ⚠ A damaged power cable must be replaced by a qualified electrician.
- ⚠ The appliance must not be operated before it is repaired! There is danger of electric shock!

Disposing of the packaging

The packing materials may be dangerous for children. Keep the

packing materials out of the reach of children or dispose them of by classifying them in accordance with the waste instructions. Do not dispose them of along with the normal household waste.

The packing of your appliance is produced from recyclable materials.

Disposing of your old refrigerator

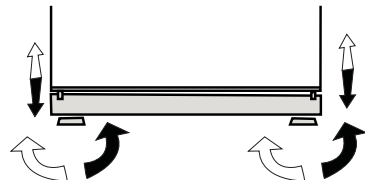
Dispose of your old appliance without giving any harm to the environment.

- You may consult your authorized dealer or waste collection center of your municipality about the disposal of your appliance.

Before disposing of your appliance, cut out the electric plug and, if there are any locks on the door, make them inoperable in order to protect children against any danger.

Adjusting the legs

If your refrigerator is unbalanced; You can balance your refrigerator by turning the front legs of it as illustrated in the figure. The corner where the leg exists is lowered when you turn in the direction of black arrow and raised when you turn in the opposite direction. Taking help from someone to slightly lift the refrigerator will facilitate this process.



4 Using your refrigerator

Temperature setting button

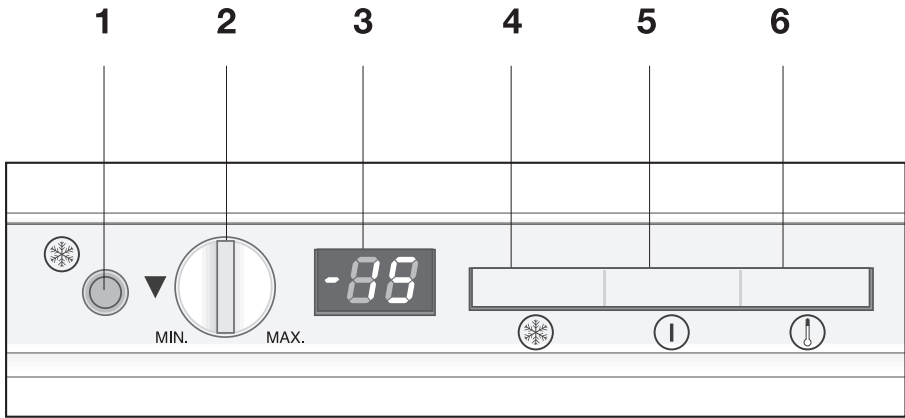
The interior temperature of your refrigerator changes for the following reasons;

- Seasonal temperatures,
- Frequent opening of the door and leaving the door open for long periods,
- Food put into the refrigerator without cooling down to the room temperature,
- The location of the refrigerator in the room (e.g. exposing to sunlight).

You may adjust the varying interior temperature due to such reasons by using the thermostat. If the ambient temperature is higher than 32°C, turn the thermostat button to maximum position.

Storing the frozen food

- Frozen food can be stored up to 3 months in general in temperatures under -18°C. Storage periods may vary depending on the type of the food. Storage periods of expiry dates of such food are indicated on the food package by their manufacturers.
- Frozen food that you have purchased should be placed in the freezer before they thaw.
- Frozen food may be kept in the compartments with drawers.



LED indicators and control panel

LED indicators in the front section of your refrigerator are intended to help you in monitoring the operation of your appliance.

Keep your food in the refrigerator in a safe manner by monitoring and using these LEDs and controls as explained below:

Fast Freeze Button (1): Used to freeze the food fastly. Compressor may not operate immediately but after some time when the button is pressed and this is quite normal.

Thermostat Setting Button (2): Used to set your refrigerator between minimum and maximum values.

Temperature Indicator (3): Displays the inner temperature of your refrigerator.

Orange LED (4): Lights up when the fast freeze button on the LED panel is pressed. In this case, your refrigerator operates continuously.

Press the button again when the food you would like to fast freeze comes to the desired temperature and the orange LED will turn off.

Green LED (5): Lights up continuously after plugging in your refrigerator.

Red LED (6): It warns you by lighting up continuously when your refrigerators start to operates, if not enough cooling effect is obtained, when the door remains open for a long time and when excessive food is loaded.

If the red LED lights up continuously when the conditions stated in the adjacent column do not exist, then call our Authorized Service.

5 Maintenance and cleaning

- ⚠ Never use gasoline, benzene or similar substances for cleaning purposes.
- ⚠ We recommend that you unplug the appliance before cleaning.
 - Never use any sharp abrasive instrument, soap, household cleaner, detergent and wax polish for cleaning.
 - Use lukewarm water to clean the cabinet of your refrigerator and wipe it dry.
 - Use a damp cloth wrung out in a solution of one teaspoon of bicarbonate of soda to one pint of water to clean the interior and wipe it dry.
 - If your refrigerator is not going to be used for a long period of time, unplug the power cable, remove all food, clean it and leave the door ajar.
 - Check door seals regularly to ensure they are clean and free from food particles.

Protection of plastic surfaces

- Do not put the liquid oils or oil-cooked meals in your refrigerator in unsealed containers as they damage the plastic surfaces of your refrigerator. In case of spilling or smearing oil on the plastic surfaces, clean and rinse the relevant part of the surface at once with warm water.

6 Recommended solutions for the problems

Please review this list before calling the service. It might save you time and money. This list includes frequent complaints that are not arising from defective workmanship or material usage.

Complaint	Possible Reason	Solution
The refrigerator does not operate	Is the refrigerator properly plugged in?	Insert the plug to the wall socket.
	Is the fuse of the socket which your refrigerator is connected to or the main fuse blown out?	Check the fuse.
Condensation on the side wall of the fridge compartment.	Very cold ambient conditions. Frequent opening and closing of the door. Highly humid ambient conditions. Storage of food containing liquid in open containers. Leaving the door ajar.	Switching the thermostat to a colder degree. Decreasing the time the door left open or using it less frequently. Covering the food stored in open containers with a suitable material. Wipe the condensation using a dry cloth and check if it persists.
Compressor is not running	Protective thermic of the compressor will blow out during sudden power failures or plug-out plug-ins as the refrigerant pressure in the cooling system of the refrigerator has not been balanced yet.	Your refrigerator will start running approximately after 6 minutes. Please call the service if your refrigerator does not startup at the end of this period.
	The fridge is in defrost cycle.	This is normal for a full-automatically defrosting refrigerator. Defrosting cycle occurs periodically.
	Your refrigerator is not plugged into the socket.	Make sure that the plug is inserted tightly to the wall socket.
	Are the temperature adjustments correctly made?	
	There is a power failure.	Call your electricity supplier.

The fridge is running frequently or for a long time.	Your new refrigerator may be wider than the previous one.	This is quite normal. Large refrigerators operate for a longer period of time.
	The ambient room temperature may be high.	This is quite normal.
	The refrigerator might have been plugged in recently or might have been loaded with food.	Cooling down of the refrigerator completely may last for a couple of hours longer.
	Large amounts of hot food might have been put in the refrigerator recently.	Hot food causes longer running of the refrigerator until they reach the safe storage temperature.
	Door might have been opened frequently or left ajar for a long time.	The warm air that has entered into the refrigerator causes the refrigerator to run for longer periods. Open the door less frequently.
	Freezer or fridge compartment door might have been left ajar.	Check if the doors are tightly closed.
The temperatures are too low	The temperature of your refrigerator is adjusted to a very low degree.	Adjust the temperature of your refrigerator to a higher degree and check.
The temperatures are too high.	The temperature of your refrigerator is adjusted to a very high degree.	Change the temperature of the fridge or freezer until the fridge or freezer temperature reaches to a sufficient level.
	Door might have been opened frequently or left ajar for a long time.	Warm air rushes into the fridge compartment when the doors are opened. Open the door less frequently.
	The door might be left ajar.	Close the door completely.
	Large amounts of hot food might have been put in the refrigerator recently.	Wait until the fridge or freezer reaches the desired temperature.
	The refrigerator might have been plugged in recently.	Cooling down of the refrigerator completely takes time because of the size.

Noise		
The operation noise increases when the refrigerator is running.	The operating performance characteristics of the refrigerator may change according to the changes in the ambient temperature.	It is normal and not a fault.
Vibrations or noise.	The floor is not even or it is weak. The refrigerator rocks when moved slowly.	Make sure that the floor is level, strong and capable to carry the refrigerator.
	The noise may be caused by the items put onto the refrigerator.	Such items should be removed from the top of the refrigerator.
There are noises like liquid spilling or spraying.	Liquid and gas flows happen in accordance with the operating principles of your refrigerator.	It is normal and not a fault.
Water/condensation in the refrigerator.		
Condensation on the inner walls of refrigerator.	Hot and humid weather increases the condensation.	It is normal and not a fault.
	The door is ajar.	Make sure that the door is closed completely.
	Door might have been opened very frequently or they might have been left open for long time.	Open the door less frequently.
Water/condensation outside the refrigerator.		
Humidity occurs on the outside of the refrigerator or between the doors.	The weather may be humid.	This is quite normal in humid weather. When the humidity is less, condensation will disappear.

Bad odor inside the refrigerator.	Inside of the refrigerator must be cleaned.	Clean the inside of the refrigerator with a sponge, warm water or carbonated water.
	Some containers or packaging materials might be causing the smell.	Use a different container or different brand packaging material.
Opening and closing of the doors		
The door(s) is (are) not closing.	Food packages may prevent the door's closing.	Replace the packages that are obstructing the door.
	The floor is not level or strong.	Make sure that the floor is level and capable to carry the refrigerator.

Nejprve si přečtěte tento návod!

Vážený zákazníku,

Doufáme, že výrobek, který byl vyroben v moderních závodech a kontrolován v souladu s nejpřísnějšími postupy kontroly kvality, vám zajistí účinný provoz.

Z tohoto důvodu vám doporučujeme pozorně si přečíst celý návod k výrobku, než jej použijete, a uskladněte je v dosahu pro budoucí použití.




Tento návod

- Pomůže vám s použitím spotřebiče rychle a bezpečně.
- Návod si přečtěte dříve, než produkt nainstalujete a zapnete.
- Dodržujte pokyny, zejména ty, které se týkají bezpečnosti.
- Návod uschovejte na snadno přístupném místě, možná jej budete později potřebovat.
- Kromě toho si přečtěte i další dokumenty dodané s výrobkem.

Nezapomeňte, že tento návod může platit i pro jiné modely.

Symbols a jejich popis

Tento návod obsahuje následující symboly:

-  Důležité informace nebo užitečné tipy k použití.
-  Varování před nebezpečnými situacemi pro život a majetek.
-  Varování na elektrické napětí.



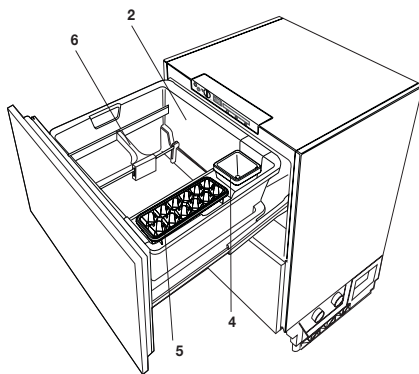
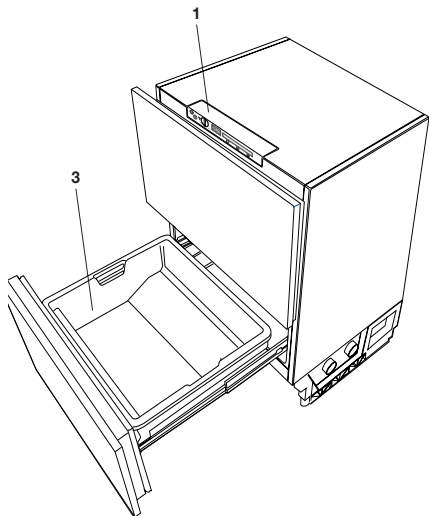
This product bears the selective sorting symbol for waste electrical and electronic equipment (WEEE). This means that this product must be handled pursuant to European Directive 2002/96/EC in order to be recycled or dismantled to minimize its impact on the environment. For further information, please contact your local or regional authorities.



Electronic products not included in the selective sorting process are potentially dangerous for the environment and human health due to the presence of hazardous substances.

1 Vaše chladnička	3	5 Údržba a čištění	10
		Ochrana plastových ploch	10
2 Varování	4	6 Doporučená řešení problémů	11
Obecná bezpečnost	4		
Začínáme	5		
Pokud jsou doma děti...	5		
Určené použití	5		
Bezpečnostní pokyny	5		
Postup pro úsporu energie	5		
3 Instalace	6		
Příprava	6		
Body ke zvážení při přepravě chladničky	6		
Než chladničku zapnete	6		
Zapojení do sítě	7		
Likvidace obalu	7		
Likvidace vaší staré chladničky	7		
Nastavování nožek	7		
4 Používání chladničky	8		
Tlačítko nastavení teploty	8		
Skladování zmražených potravin	8		
LED kontrolky a panel ovladačů	9		

1 Vaše chladnička



- 1- Ovládací panel
- 2- Velký košík
- 3- Malý košík
- 4- Příhrádka na led
- 5- Nádoba na led
- 6- Separátor

i Obrázky uvedené v tomto návodu k použití jsou schematické a nemusí přesně korespondovat s vaším výrobkem. Pokud zobrazené části nejsou obsaženy v produktu, který jste zakoupili, jde o součásti jiných modelů.

2 Varování

Prostudujte si následující informace. Pokud je nedodržíte, může dojít ke zranění osob nebo poškození materiálu. Jinak neplatí záruka ani jiné závazky.

Doba životnosti zakoupeného zařízení je 10 let. Toto je doba pro uschování náhradních dílů nutných pro předepsaný provoz zařízení.

Obecná bezpečnost

- Když chcete výrobek zlikvidovat/ sešrotovat, doporučujeme kontaktovat autorizovaný servis, kde zjistíte nezbytné informace a autorizované orgány.
- Veškeré otázky a problémy související s chladničkou vám pomůže vyřešit autorizovaný servis. Nezasahujte do chladničky a nikomu toto nedovoďte bez upozornění autorizovaného servisu.
- Nejezte zmrzlinu a kostky ledu bezprostředně poté, co je vyjmete z prostoru mrazničky! (Může dojít k omrznutí úst.)
- Nevkládejte tekuté nápoje v lahvích a plechovkách do prostoru mrazničky. Jinak by mohlo dojít k jejich explozi.
- Nedotýkejte se mražených potravin rukou; mohou se vám přilepit k ruce.
- Výpary a parní čisticí materiály nikdy nepoužívejte při čištění a odmrazování chladničky. V těchto případech by se totiž výpary mohly dostat do styku s elektrickými součástmi a způsobit zkrat či zásah elektrickým proudem.
- Nikdy nepoužívejte součásti na chladničce, jako je ochranná deska, jako dvířka nebo podpreru nebo schůdek.
- Nepoužívejte elektrická zařízení uvnitř chladničky.
- Nepoškozujte chladicí obvod, kde obíhá chladicí médium, vrtáním nebo řezáním. Chladicí médium by mohlo vytéct v místech porušení plynových kanálů výparníku, prodlouženích trubek nebo povrchových vrstev a způsobit podráždění kůže a zranění očí.
- Nezakrývejte a neblokuje větrací otvory na chladničce žádným materiálem.
- Opravy elektrického vybavení smí provádět jen kvalifikovaný odborník. Opravy provedené nekompetentními osobami mohou vést k ohrožení uživatele.
- V případě poruchy nebo při údržbě či opravách odpojte napájení chladničky buď vypnutím příslušné pojistky nebo odpojením spotřebiče.
- Netahejte za kabel – tahejte za zástrčku.
- Nápoje umísťujte zavřené a ve svislé poloze.
- Hořlavé předměty nebo produkty s obsahem hořlavých plynů (např. spreje) i výbušné materiály nikdy neskladujte ve spotřebiči.
- Nepoužívejte mechanické nástroje nebo jiné prostředky k urychlení procesu odmrazení s výjimkou těch, které doporučuje výrobce.
- Tento spotřebič není určen pro použití osobami (včetně dětí) se sníženými

fyzickými, smyslovými nebo duševními schopnostmi nebo nedostatečnou zkušeností a znalostmi, pokud jsou bez dohledu nebo pokynů o použití spotřebiče od osob zodpovídajících za jejich bezpečnost.

- Děti by měly být pod dozorem, aby se zajistilo, že si nebudou hrát se spotřebičem

Začínáme

- Nepoužívejte poškozenou chladničku. Kontaktujte servis v případě jakýchkoli pochybností.
- Elektrická bezpečnost chladničky je zaručena pouze tehdy, pokud systém uzemnění ve vašem domě splňuje patřičné normy.

Pokud jsou doma děti...

- Nedovoďte dětem hrát si s chladničkou. Mohly by se zranit a poškodit chladničku. (např. nedovoďte jim viset na dveřích.)

Určené použití

- Tento výrobek je určen pro domácí použití.
- Nepoužívejte přístroj venku. Není vhodné jej používat venku, i když je prostor zastřešen.

Bezpečnostní pokyny


- Vystavení výrobku dešti, sněhu, slunci a větru je nebezpečné z hlediska elektrické bezpečnosti.
- Kontaktujte autorizovaný servis, pokud dojde k poškození napájecího kabelu atd., aby nedošlo k ohrožení osob.
- **Pozor:** Během instalace nikdy nezapojte chladničku k zásuvce. Jinak může dojít k ohrožení zdraví s následkem smrti.

⚠ Váš výrobek je vybaven přirozeným systémem chlazení (R600a), který neobsahuje plyn CFC ani HFC. Tento plyn je hořlavina. Dávejte tedy pozor, abyste nepoškodili systém chlazení a potrubí během použití a přepravy. V případě poškození neodhazujte výrobek do ohně; udržujte výrobek mimo potenciální zdroje hoření, které mohou způsobit vznícení výrobku, a vyvětrejte místnost, v níž je přístroj umístěn.

Postup pro úsporu energie

- ❗ Nenechávejte dvířka chladničky otevřená delší dobu.
- ❗ Nevkládejte do chladničky horké potraviny nebo nápoje.
- ❗ Nepřepíňujte chladničku, abyste nebránili oběhu vzduchu uvnitř.
- ❗ Neinstalujte chladničku na přímé sluneční světlo nebo do blízkosti tepelných spotřebičů, jako jsou trouby, myčky nebo radiátory.
- ❗ Dávejte pozor, abyste nechávali potraviny v uzavřených nádobách.

3 Instalace

 Nezapomeňte, že výrobce neodpovídá za nedodržení informací uvedených v návodu k použití.

Příprava

- Chladničku instalujte nejméně 30 cm od zdrojů tepla, jako jsou varné desky, trouby, ústřední topení a sporáky a nejméně 5 cm od elektrických trub, neumísťte ji na přímé sluneční světlo.
- Teplota prostředí v místnosti, kde instalujete chladničku, by měla být nejméně 10°C. Používání chladničky za chladnějších podmínek se nedoporučuje vzhledem k její účinnosti.
- Zajistěte, aby byl vnitřek vaší chladničky důkladně vyčištěn.
- Pokud vedle sebe instalujete dvě chladničky, měl by mezi nimi být rozestup nejméně 2 cm.
- Když spustíte chladničku poprvé, dodržujte následující pokyny během prvních šesti hodin.
 - Dveře neotevírejte často.
 - Musí běžet prázdná bez vkládání potravin.
 - Neodpojujte chladničku. Pokud dojde k výpadku energie, prostudujte si varování v kapitole “Doporučená řešení problémů”.
- Původní obaly a pěnové materiály uschovejte pro budoucí přepravu či přesun.

Body ke zvážení při přepravě chladničky

1. Chladničku je nutno vyprázdnit a vyčistit před jakoukoli přepravou.
2. Police, příslušenství, prostor pro čerstvé potraviny atd. v chladničku je nutno řádně upoutat lepicí páskou, aby nedocházelo k vibracím.
3. Obaly je nutno upevnit silnými páskami a lany a je nutno dodržovat pravidla pro přepravu vytištěná na obalu.

Nezapomeňte...

Každý recyklovaný materiál je nezbytný zdroj pro přírodu a naše národní zdroje. Pokud chcete přispět k recyklaci obalových materiálů, další informace získáte od orgánů ochrany životního prostředí nebo místních úřadů.

Než chladničku zapnete

Než začnete používat chladničku, zkontrolujte následující:

1. Je vnitřek chladničky suchý a může za ní volně obíhat vzduch?
2. Zasuňte 2 plastové klínky do zadních

větracích otvorů dle následujícího obrázku. Plastové klínky zajistí potřebnou vzdálenost mezi vaší chladničkou a zdí, aby se umožnilo proudění vzduchu.

3. Vyčistěte vnitřek chladničky podle kapitoly “Údržba a čištění”.
4. Zapojte chladničku do sítě. Po otevření dvířek se rozsvítí vnitřní osvětlení prostoru chladničky.
5. Uslyšíte hluk při startování kompresoru. Kapalina a plyn v chladicí soustavě mohou také vydávat zvuky, i když kompresor neběží, což je poměrně normální.
6. Přední kraje chladničky mohou být teplé. Je to zcela normální. Tyto oblasti mají být teplé, aby nedocházelo ke kondenzaci.

Zapojení do sítě

Připojte výrobek k uzemněné zásuvce, která je chráněna pojistkou vhodné kapacity.

Důležité:

- Spojení musí být v souladu s národními předpisy.
- Napájecí kabel musí být po instalaci snadno dostupný.
- Napětí a povolená ochrana pojistky jsou uvedeny v kapitole “Parametry”.
- Specifikované napětí musí být rovné napětí v síti.
- Prodlužovací kabely a vícecestné zásuvky nepoužívejte na spojení. Poškozený napájecí kabel musí vyměnit kvalifikovaný elektrikář.

⚠ Výrobek nesmíte používat, dokud není opraven! Hrozí riziko zásahu elektrickým proudem!

Likvidace obalu

Obalové materiály mohou být pro děti nebezpečné. Udržujte materiály mimo dosah dětí nebo je zlikvidujte v souladu s pokyny zpracování odpadů. Nelikvidujte je s běžným domovním odpadem.

Balení chladničky je z recyklovatelných materiálů.

Likvidace vaší staré chladničky

Starý přístroj zlikvidujte tak, abyste neohrozili životní prostředí.

- Informace o likvidaci chladničky získáte u autorizovaného prodejce nebo odpadového odboru vašeho města.

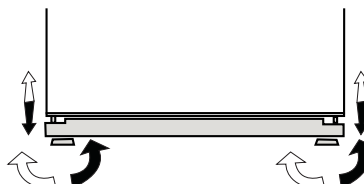
Než chladničku použijete, odřízněte zástrčku a v případě, že jsou na dveřích zámky, zneškodněte je, aby nedošlo k ohrožení dětí.

Nastavování nožek

Pokud je vaše chladnička nevyvážená;

Chladničku vyrovnáte tak, že otáčíte předními nožkami podle obrázku. Roh, kde jsou umístěny nožky, se sníží, když otáčíte ve směru černé šipky, zvedne se, když otáčíte opačným směrem.

Pokud vám někdo pomůže nadzvednout chladničku, proces se usnadní.



4 Používání chladničky

Tlačítko nastavení teploty

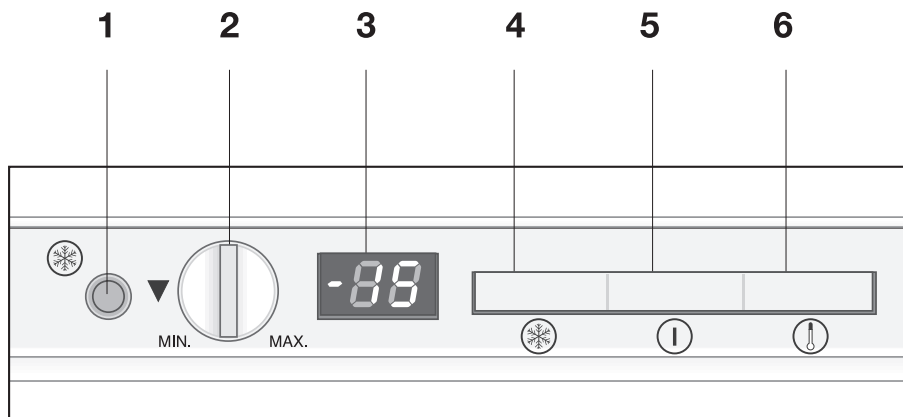
Vnitřní teplota chladničky se mění z následujících důvodů;

- Teploty podnebí,
- Časté otevírání dveří a nechávání dveří dlouho otevřených,
- Vložené jídlo do chladničky bez ochlazení na pokojovou teplotu,
- Umístění chladničky v místnosti (např. na slunci).

Můžete upravit teplotu uvnitř z těchto důvodů pomocí termostatu. Pokud je teplota vyšší než 32°C, otočte tlačítko termostatu na maximum.

Skladování zmražených potravin

- Mražené potraviny můžete skladovat až 3 měsíce při běžných teplotách pod -18°C. Délka uschování se může lišit podle typu potravin. Doba uskladnění těchto potravin je uvedena na obalu od výrobce.
- Zmražené potraviny, které jste zakoupili, umístěte do mrazničky, než rozmrznou.
- Zmražené potraviny můžete skladovat v prostorech se zásuvkami.



LED kontrolky a panel ovladačů

LED kontrolky v přední části vaší chladničky vám mají pomoci při kontrole činnosti vašeho spotřebiče.

Potraviny skladujte v chladničce bezpečně tak, že budete sledovat a používat tyto kontrolky a ovladače podle níže uvedených pokynů:

Tlačítko pro rychlé mražení (1): Slouží k rychlému zmrazení potravin. Kompressor se možná nespustí okamžitě, ale po určité době od stisknutí tlačítka, je to naprosto normální.

Tlačítko nastavení termostatu (2): Slouží k nastavení chladničky na hodnoty mezi minimální a maximální.

Ukazatel teploty (3): Zobrazuje vnitřní teplotu v chladničce.

Oranžová kontrolka (4): Svítí, když stisknete tlačítko rychlého mražení na panelu kontrolky. V tomto případě je chladnička v provozu nepřetržitě.

Znovu stiskněte tlačítko, když potraviny, které jste chtěli rychle zmrazit, dosáhnou požadované teploty a zhasne oranžová kontrolka.

Zelená kontrolka (5): Svítí trvale od chvíle, kdy zapojíte chladničku do sítě.

Červená kontrolka (6): Varuje vás nepřetržitým světlem, když se vaše chladnička zapne, pokud není dosaženo dostatečného chladicího účinku, pokud dlouho necháte otevřená dvířka chladničky a nebo vložíte příliš mnoho potravin.

Pokud červená kontrolka svítí nepřetržitě, aniž by existovaly podmínky ve vedlejším sloupci, kontaktujte náš autorizovaný servis.

5 Údržba a čištění

- ⚠ Nikdy na čištění nepoužívejte benzin, technický benzin a podobné materiály.
- ⚠ Doporučujeme odpojit přístroj od sítě, než jej začnete čistit.
- Nikdy nepoužívejte brusné nástroje, mýdlo, domovní čistič, odmašťovač či voskové čisticí.
- Používejte vlažnou vodu pro vyčištění skříně a otřete ji pak dosucha.
- Používejte vlhký hadřík namočený do roztoku jedné čajové lžičky sody bikarbony na půl litru vody na vyčištění vnitřku, pak jej dosucha otřete.
- Zajistěte, aby do krytu světla a jiných elektrických prvků neprošla voda.
- Pokud chladničku delší dobu nebudete používat, odpojte napájecí kabel, vyjměte všechny potraviny, vyčistěte jej a nechte dveře otevřené.
- Pravidelně kontrolujte těsnění dvířek, abyste zajistili jejich čistotu a nezanesení částicemi potravin.
- Pro odstranění polic ve dveřích odstraňte všechny obsah a pak jen zvedněte dveřní polici vzhůru ze základny.

Ochrana plastových ploch

- Nevkládejte tekuté oleje nebo pokrmy s obsahem oleje do chladničky v neuzavřených nádobách, jelikož poškodí plastovou plochu vaší chladničky. V případě rozlití nebo rozetření oleje na plastové ploše vyčistěte a opláchněte příslušnou část plochy teplou vodou.

6 Doporučená řešení problémů

Než zavoláte do servisu, projděte si tento seznam. Možná vám ušetří čas a peníze. Tento seznam obsahuje časté stížnosti, které nejsou způsobeny vadným zpracováním či použitými materiály.

Stížnosti	Možná příčina	Řešení
Chladnička nefunguje	Je chladnička řádně zapojena?	Zasuňte zástrčku do sítě.
	Není vypálena pojistka zástrčky, do níž je chladnička zapojena, nebo hlavní pojistka?	Zkontrolujte pojistku.
Kondenzace na boční stěně prostoru chladničky.	Velmi nízká teplota prostředí. Časté otevírání a zavírání dveří. Vysoká vlhkost v prostředí. Skladování potravin s obsahem kapalin v otevřených nádobách. Nechání otevřených dveří.	Přepnutí termostatu na nižší teplotu. Snížení času otevřených dveří nebo méně časté použití. Zakrytí potravin v otevřených nádobách vhodným materiálem. Otřete kondenzaci suchým hadrem a ověřte, zda je stále přítomna.
Kompresor neběží	Tepelná pojistka kompresoru se zapne během náhlého výpadku energie nebo odpojení a zapojení, jelikož tlak chladicího média v chladicí soustavě chladničky není dosud vyvážen.	Vaše chladnička začne fungovat asi po 6 minutách. Kontaktujte servis, pokud se chladnička nespustí na konci této doby.
	Chladnička je v režimu odmrazování.	Toto je normální pro chladničku s plně automatickým odmrazováním. Cyklus odmražení probíhá pravidelně.
	Chladnička není zapojena do zásuvky.	Ověřte, zda je zásuvka pevně zasunuta do zásuvky.
	Je správně nastavena teplota?	
	Došlo k přerušení elektrické energie.	Kontaktujte dodavatele elektrické energie.

Chladnička často běží nebo běží dlouhodobě.	Nová chladnička může být širší než ta předchozí.	Je to zcela normální. Četší chladničky fungují delší dobu.
	Okolní teplota v místnosti je možná vysoká.	Je to zcela normální.
	Chladnička možná byla nedávno zapojena nebo byla naplněna potravinami.	Ochlazování chladničky může trvat o pár hodin déle.
	V nedávné době jste do chladničky vložili velké množství teplých pokrmů.	Horké pokrmy způsobují delší fungování chladničky až do dosažení bezpečné teploty pro uchování.
	Dveře se mohly otevřít častěji nebo byly ponechány dlouhou dobu otevřené.	Teplý vzduch, který pronikl do chladničky, způsobil dlouhodobější chod chladničky. Otvírejte dveře méně často.
	Mraznička nebo dveře chladničky zůstaly dokořán.	Zkontrolujte, zda jsou dveře pevně zavřeny.
Teploty jsou příliš nízké	Chladnička je nastavena na velmi nízkou teplotu.	Upravte teplotu chladničky na vyšší hodnotu a zkontrolujte.
Teploty jsou příliš vysoké.	Chladnička je nastavena na velmi vysokou teplotu.	Změňte teplotu chladničky nebo mrazničky, dokud teplota v chladničce nebo mrazničce nedosáhne dostatečnou hodnotu.
	Dveře se mohly otevřít častěji nebo byly ponechány dlouhou dobu otevřené.	Teplý vzduch proniká do prostoru chladničky, když se otevrou dveře. Otvírejte dveře méně často.
	Dveře možná zůstaly dokořán.	Řádně zavírejte dveře.
	V nedávné době jste do chladničky vložili velké množství teplých pokrmů.	Počkejte, až chladnička nebo mraznička dosáhne požadované teploty.
	Chladnička byla nedávno zapojena.	Chlazení chladničky trvá určitou dobu kvůli jejím rozměrům.

Hluk		
Provozní hluk se zvyšuje, když je chladnička zapnutá.	Provozní vlastnosti chladničky se mohou změnit podle výkyvů okolní teploty.	Je to normální, nejde o poruchu.
Vibrace nebo hluk.	Podlaha není rovná nebo je slabá. Chladnička se při pohybu kymácí.	Ověřte, zda je podlaha rovná, pevná a unese chladničku.
	Hluk mohou způsobovat předměty vkládané na chladničku.	Tyto předměty sejměte z chladničky.
Ozývá se zvuk jako rozlévání kapaliny nebo stříkání.	Proudění kapalin a plynu se může objevit v souladu s provozními zásadami vaší chladničky.	Je to normální, nejde o poruchu.
Voda/kondenzace uvnitř chladničky.		
Kondenzace na vnitřních stěnách chladničky.	Horké a vlhké počasí zvyšuje kondenzaci.	Je to normální, nejde o poruchu.
	Dveře zůstaly otevřené.	Ověřte, zda jsou dveře zcela zavřené.
	Dveře se asi často otvíraly nebo zůstaly dlouhou dobu otevřené.	Otvírejte dveře méně často.
Voda/kondenzace na vnější straně chladničky.		
Vlhkost na vnější straně chladničky nebo mezi dveřmi.	Možná je vlhké počasí.	Ve vlhkém počasí je to normální. Po poklesu vlhkosti kondenzace zmizí.

Nepříjemný zápach v chladničce.	Chladničku je nutno vyčistit uvnitř.	Vyčistěte vnitřek chladničky houbičkou, teplou vodou nebo karbonovou vodou.
	Některé nádoby či obalové materiály mohou způsobit zápach.	Použijte odlišnou nádobu nebo obalový materiál jiné značky.
Otevírání a zavírání dveří		
Dveře se nezavírají	Zabalené potraviny mohou bránit v zavírání dveří.	Vyměňte obaly, které brání v chodu dveří.
	Podlaha není rovná či silná.	Ověřte, zda je podlaha rovná a unese chladničku.

Prosimy najpierw przeczytać tę instrukcję obsługi!

Drodzy Klienci,

Mamy nadzieję, że nasz wyrób, wyprodukowany w nowoczesnym zakładzie i sprawdzony według najbardziej drobiazgowych procedur kontroli jakości, będzie Wam dobrze służył.

Dlatego zalecamy, aby uważnie przeczytać całą instrukcję obsługi tego wyrobu przed jego uruchomieniem i zachować ją do wglądu w przyszłości.




Instrukcja niniejsza

- Pomoże używać tego urządzenia sprawnie i bezpiecznie.
- Przeczytajcie tę instrukcję przed zainstalowaniem i uruchomieniem lodówki.
- Postępujcie zgodnie z tymi wskazówkami, zwłaszcza dotyczącymi bezpieczeństwa.
- Przechowujcie te instrukcję w łatwo dostępnym miejscu, bo może się przydać później.
- Prosimy przeczytać także inne dokumenty dostarczone wraz z lodówką.

Prosimy zauważyć, że instrukcja ta może odnosić się także do innych modeli.

Symbole i ich znaczenie

Niniejsza instrukcja obsługi zawiera następujące symbole:

-  Ważne informacje lub przydatne wskazówki użytkownika.
-  Ostrzeżenie przed zagrożeniem życia i mienia
-  Ostrzeżenie przed porażeniem elektrycznym.



This product bears the selective sorting symbol for waste electrical and electronic equipment (WEEE).

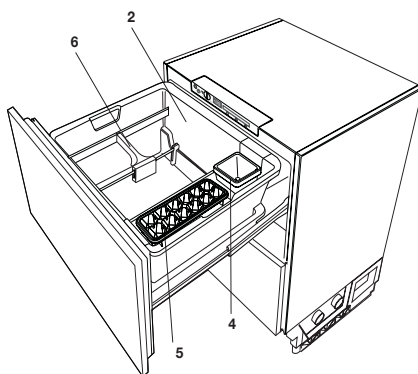
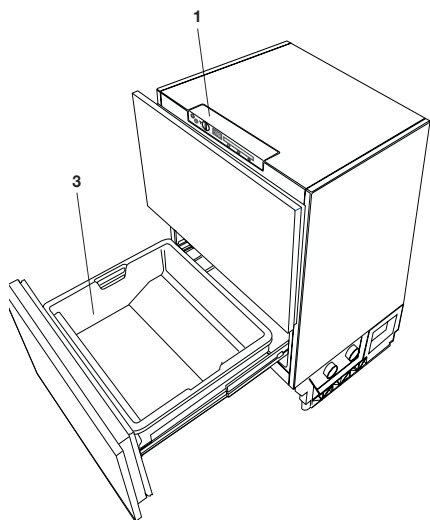
This means that this product must be handled pursuant to European Directive 2002/96/EC in order to be recycled or dismantled to minimize its impact on the environment. For further information, please contact your local or regional authorities.

Electronic products not included in the selective sorting process are potentially dangerous for the environment and human health due to the presence of hazardous substances.

SPIS TREŚCI

1 Oto Wasza chłodziarka	3	5 Konserwacja i czyszczenie	10
		Zabezpieczenia powierzchni plastykowych	10
2 Ostrzeżenia	4	6 Zalecane rozwiązania problemów	11
Ogólne zasady bezpieczeństwa	4		
Pierwsze uruchomienie	5		
Zamierzone przeznaczenie	5		
Instrukcje bezpieczeństwa	5		
Co robić, aby oszczędzać energię.	5		
3 Instalacja	6		
Przygotowanie	6		
W razie potrzeby ponownego transportu lodówki należy przestrzegać następujących wskazówek:	6		
Przed uruchomieniem lodówki	6		
Połączenia elektryczne	7		
Pozbywanie się opakowania	7		
Złomowanie starej lodówki	7		
Regulacja nóżek	7		
4 Użytkowanie chłodziarki	8		
Przycisk nastawiania temperatury	8		
Przechowywanie żywności mrożonej	8		
Wskaźniki LED i panel sterowania	9		

1 Oto Wasza chłodziarka



- 1- Panel sterowania
- 2- Koszyk duży
- 3- Koszyk mały
- 4- Komora chłodzenia
- 5- Pojemnik na lód
- 6- Separator

i Rysunki w niniejszej instrukcji to tylko schematy i nie muszą ściśle odpowiadać Waszemu modelowi lodówki. Jeśli pewnych części nie ma w Waszej lodówce, to znaczy, że odnoszą się do innych modeli.

2 Ostrzeżenia

Prosimy przeczytać następujące ostrzeżenia. Ich nieprzestrzeżenie grozi szkodą na zdrowiu lub mieniu. W takim przypadku tracą ważność wszelkie gwarancje i zapewnienia niezawodności. Czas użytkowania nabytego przez Was urządzenia wynosi 10 lat. Przez ten czas utrzymujemy części zamienne potrzebne do jego zgodnego z opisem funkcjonowania.

Ogólne zasady bezpieczeństwa

- Gdy zechcecie pozbyć się tego urządzenia/ złomować je, zalecamy skonsultowanie się z autoryzowanym serwisem, aby uzyskać potrzebne informacje i poznać kompetentne organa.
- Konsultujcie się z Waszym autoryzowanym serwisem w sprawach wszelkich pytań i problemów związanych z tą lodówką. Bez powiadomienia autoryzowanego serwisu nie interweniujcie sami i nie pozwalajcie interweniować innym w funkcjonowanie lodówki.
- Nie jedzcie lodów ani lodu bezpośrednio po wyjęciu ich z zamrażalnika! (Może to spowodować odmrożenia w ustach).
- Nie wkładajcie do zamrażalnika napojów w puszkach ani w butelkach. Może się bowiem zdarzyć, że tam wybuchną.
- Nie dotykajcie palcami mrożonej żywności, bo może do nich przylgnąć.
- Do czyszczenia i rozmrażania lodówki nie wolno stosować pary ani środków czyszczących w tej postaci. W takich przypadkach para może zetknąć się z częściami urządzeń elektrycznych i spowodować zwarcie albo porażenie elektryczne.
- Nie wolno używać żadnych części lodówki, takich jak drzwiczki, jako podpory ani stopnia.
- Wewnątrz lodówki nie wolno używać urządzeń elektrycznych.
- Nie wolno uszkadzać obwodu chłodzącego, w którym krąży środek chłodzący, narzędziami do wiercenia i cięcia. Środek chłodzący, który może wybuchnąć skutkiem przedziurawienia przewodów gazowych parownika, przedłużeń rur lub powłok powierzchni, może spowodować podrażnienia skóry lub obrażenia oczu.
- Nie przykrywajcie żadnym materiałem ani nie blokujcie otworów wentylacyjnych w lodówce.
- Urządzenia elektryczne naprawiać mogą tylko wykwalifikowani fachowcy. Naprawy wykonywane przez osoby niekompetentne mogą powodować zagrożenie dla użytkowników.
- W razie jakiegokolwiek awarii, a także w trakcie prac konserwacyjnych lub napraw, odłączcie lodówkę od zasilania z sieci albo wyłączając odnośny bezpiecznik, albo wyjmując wtyczkę z gniazdka.
- Wyjmując przewód zasilający z gniazdka należy ciągnąć za wtyczkę, nie za przewód.
- Napoje o wyższej zawartości alkoholu wkładajcie do lodówki w ściśle zamkniętych naczyniach i w pozycji pionowej.
- W lodówce nie wolno przechowywać przedmiotów łatwopalnych ani wyrobów zawierających gazy łatwopalne (np. spreje), a także materiałów wybuchowych.
- W celu przyśpieszenia procesu rozmrażania lodówki nie należy używać żadnych urządzeń mechanicznych ani innych środków poza zalecanymi przez jej producenta.
- Urządzenie to nie jest przeznaczone do obsługi przez osoby (w tym dzieci)

z ograniczoną sprawnością fizyczną, zmysłową lub umysłową, czy bez odpowiedniego doświadczenia i umiejętności, o ile nie zapewni się im nadzoru lub instrukcji jego użytkownika ze strony osoby odpowiedzialnej za ich bezpieczeństwo.

- Należy zapewnić opiekę dzieciom, aby nie bawiły się lodówką.

Pierwsze uruchomienie

- Nie uruchamiajcie lodówki, jeśli jest uszkodzona. W razie wątpliwości skonsultujcie się z serwisem.
- Bezpieczeństwo elektryczne tej lodówki gwarantuje się tylko jeśli system uziemienia Waszej instalacji domowej spełnia wymogi norm.

Zamierzone przeznaczenie

- Wyrób niniejszy przeznaczony jest do użytku domowego.
- Nie należy używać go na dworze. Nie nadaje się do użytkowania na dworze, nawet w miejscach zadaszonych.

Instrukcje bezpieczeństwa

- Wystawianie tego urządzenia na działanie deszczu, śniegu, słońca i wiatru zagraża jego bezpieczeństwu elektrycznemu.
- Aby uniknąć wypadku razie jakiegokolwiek problemu z przewodem zasilającym lub wtyczką, należy zlecić ich wymianę autoryzowanemu punktowi serwisowemu.

- **Uwaga:** W trakcie instalowania lodówki nie wolno włączyć jej wtyczki w gniazdko w ścianie. Może to zagrażać śmiercią lub poważnym urazem.

Co robić, aby oszczędzać energię.

- ❗ Nie zostawiajcie drzwiczek lodówki otwartych na dłużej.
- ❗ Nie wkładajcie do lodówki gorących potraw ani napojów.
- Urządzenie to wyposażone jest w naturalny system chłodzenia (R600a), który nie zawiera gazów CFC ani HFC. Gaz ten jest łatwopalny. Należy zatem uważać, aby w trakcie jego użytkowania i transportu nie uszkodzić systemu i rur chłodzenia. W razie uszkodzenia tego urządzenia nie pozbywajcie się go poprzez spalanie; trzymajcie je z dala od potencjalnych źródeł ognia, które mogą spowodować, że się zapali, i przewietrzajcie pomieszczenie, w którym jest umieszczone.
- ❗ Nie przeladowujcie lodówki tak, aby przeszkadzało to w krążeniu powietrza w jej wnętrzu.
- ❗ Nie instalujcie lodówki tam, gdzie narażona będzie na bezpośrednie działanie słońca ani w pobliżu urządzeń wydzielających ciepło takich jak piecyki, zmywarki do naczyń lub grzejniki.
- ❗ Pamiętajcie, aby żywność przechowywać w zamkniętych pojemnikach.

3 Instalacja

- ⚠ Prosimy pamiętać, że producent nie ponosi odpowiedzialności, jeśli ignoruje się informacje podane w niniejszej instrukcji.

Przygotowanie

- Lodówkę tę należy zainstalować przynajmniej 30 cm od źródeł ciepła takich jak kuchenka, kaloryfer lub piec, i przynajmniej 5 cm od piecyka elektrycznego, a także że należy chronić ją przez bezpośrednim działaniem słońca.
- Temperatura otoczenia w pomieszczeniu, gdzie instaluje się lodówkę, powinna wynosić co najmniej 10°C. Zr względu na wdajność lodówki nie zaleca się użytkowania jej niższych temperaturach.
- Prosimy upewnić się, że wnętrze lodówki zostało dokładnie oczyszczone.
- Jeśli zainstalowane mają b yc dwie lodówki obok siebie, należy zachować co najmniej 2 cm odstęp między nimi.
- Przy pierwszym uruchomieniu lodówki prosimy przez pierwsze sześć godzin przestrzegać następujących instrukcji.
 - Nie należy zbyt często otwierać drzwiczek.
 - Należy uruchomić ja pustą, bez żadnej żywności we wnętrzu.
 - Nie należy wyłączać wtyczki lodówki z gniazdka. W przypadku awarii zasilania, której nie można samemu naprawić, prosimy zastosować się do ostrzeżenia z rozdziału „Zalecane rozwiązania problemów”.
- Oryginalne opakowanie i elementy z pianki należy zachować do przyszłego transportu lub przeprowadzek.

W razie potrzeby ponownego transportu lodówki należy

przestrzegać następujących wskazówek:

1. Przed transportem należy lodówkę opróżnić i oczyścić.
2. Półki, akcesoria, pojemnik na warzywa itp. w lodówce należy przymocować taśmą klejącą zabezpieczając je przed wstrząsami przed ponownym zapakowaniem.
3. Opakowanie należy obwiązać grubą taśmą i silnymi sznurkami i przestrzegać reguł transportu wydrukowanych na opakowaniu.

Prosimy pamiętać...

Wszystkie surowce wtórne stanowią niezbywalne źródło oszczędności zasobów naturalnych i krajowych.

Jeśli chcecie przyczynić się do wtórnego wykorzystania materiałów opakunkowych, możecie uzyskać dodatkowe informacje od instytucji ochrony środowiska lub władz lokalnych.

Przed uruchomieniem lodówki

Zanim zaczniecie użytkować te lodówkę, sprawdźcie, co następuje:

1. Czy wnętrze lodówki jest suche i czy z tyłu za nią może swobodnie krążyć powietrze?
2. Włóżcie 2 kliny plastikowe pomiędzy przewody sprężarki, jak pokazano to na następującym rysunku. Kliny plastikowe zapewniają odstęp pomiędzy lodówką a ścianą wymagany do umożliwienia krążenia powietrza. (Na ilustracji tej pokazano jedyni przykład i nie musi ona dokładnie odpowiadać Waszemu

egzemplarzowi lodówki.)

3. Oczyszczenie wnętrza lodówki, jak zaleca się to w rozdziale „Konserwacja i czyszczenie”.
4. Włączcie wtyczkę lodówki w gniazdko w ścianie. Po otwarciu drzwiczek chłodziarki zapali się światło we wnętrzu jej komory chłodzenia.
5. Po uruchomieniu sprężarki usłyszycie jej szum. Płyny i gazy zawarte w systemie chłodzenia także mogą powodować szumy, nawet jeśli nie działa sprężarka, i jest to zupełnie normalne.
6. Przednie krawędzie lodówki mogą się nieco nagrzewać. Jest to całkiem normalne. Te obszary mogą się nagrzewać, co zapobiega skraplaniu się pary.

Połączenia elektryczne

Lodówkę przyłącza się do gniazdka z uziemieniem, zabezpieczonego bezpiecznikiem o odpowiedniej wydajności.

Ważna uwaga:

- Przyłączenie lodówki musi być zgodne z przepisami krajowymi.
 - Po instalacji wtyczka zasilania musi być łatwo dostępna.
 - Napięcie i dopuszczalne zabezpieczenie bezpiecznikiem podano w rozdziale „Dane techniczne”.
 - Podane tam napięcie musi być równe napięciu w Waszej sieci zasilającej.
 - Do przyłączenia nie można używać przedłużaczy, ani przewodów z wieloma wtyczkami.
- Uszkodzony przewód zasilający musi wymienić upoważniony i wykwalifikowany elektryk.

⚠ Nie można ponownie uruchomić lodówki przed jej naprawieniem! Grozi to porażeniem elektrycznym!

Pozbywanie się opakowania

Materiały opakunkowe mogą być niebezpieczne dla dzieci. Należy chronić

materiały opakunkowe przed dostępem dzieci, albo pozbyć się ich zgodnie z instrukcją odpowiednią dla odpadków ich kategorii. Nie można pozbywać się ich w taki sam sposób, jak innych odpadków domowych.

Opakowanie tej lodówki wyprodukowano z surowców wtórnych.

Złomowanie starej lodówki

Starej lodówki należy pozbyć się tak, aby nie zaszkodzić środowisku naturalnemu.

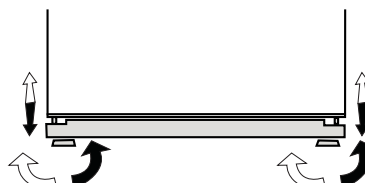
- W sprawie złomowania lodówki możecie skonsultować się z autoryzowanym sprzedawcą lub punktem zbiórki surowców wtórnych w swojej miejscowości.

Przed złomowaniem lodówki należy odciąć wtyczkę zasilania elektrycznego, a jeśli w drzwiczkach są jakieś zamki, należy je trwale uszkodzić, aby zapobiec zagrożeniu dzieci.

Regulacja nóżek

Jeśli lodówka nie stoi równo;

Można wyrównać jej ustawienie obracając przednie nóżki, tak jak pokazano na rysunku. Narożnik lodówki obniża się obracając nóżkę w tym narożniku w kierunku czarnej strzałki, lub podnosi obracając nóżkę w przeciwnym kierunku. Proces ten ułatwi lekkie uniesienie lodówki z pomocą innej osoby.



4 Użytkowanie chłodziarki

Przycisk nastawiania temperatury

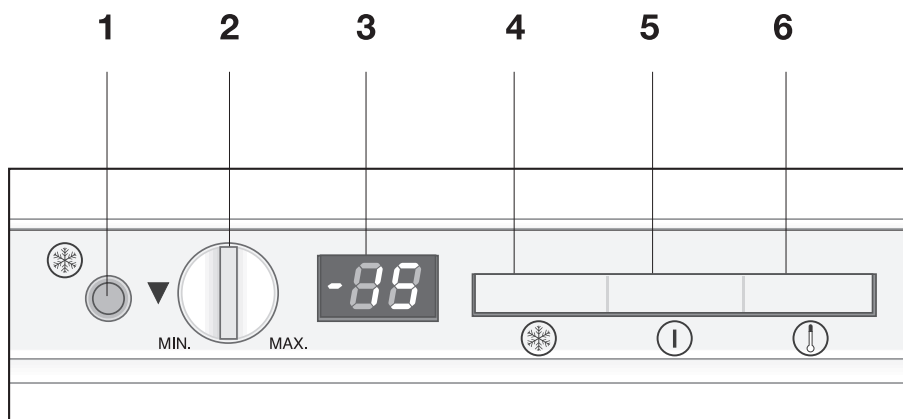
Temperatura wewnątrz lodówki zmienia się z następujących powodów:

- Różnice temperatur w różnych porach roku,
- Częste otwieranie drzwiczek i niezamykanie ich przez dłuższy czas.
- Wkładanie do lodówki żywności bez uprzedniego ochłodzenia jej do temperatury pokojowej.
- Umieszczenie lodówki w pokoju (np. bezpośrednio oddziaływanie słońca).

Zmieniającą się z tych powodów temperaturę we wnętrzu lodówki można regulować przy pomocy termostatu. Jeśli temperatura otoczenia przekracza 32°C, należy przekręcić przycisk termostatu do pozycji maksymalnej.

Przechowywanie żywności mrożonej

- W zasadzie żywność mrożoną można przechowywać do 3 miesięcy w temperaturach poniżej -18°C. Okres przechowywania może się różnić w zależności od rodzaju żywności. Terminy przydatności do spożycia tak przechowywanej żywności są podawane przez producentów na opakowaniach.
- Po zakupie żywności mrożonej należy ją umieścić w zamrażalniku zanim rozmroźnie.
- Żywność mrożoną można przechowywać w komorach z szufladami.



Wskaźniki LED i panel sterowania

Wskaźniki LED z przodu chłodziarki służą do monitorowania jej pracy.

Przechowuj żywność w chłodziarce w bezpieczny sposób korzystając ze wskaźników LED i środków jej ustawiania i regulacji tak, jak opisano to poniżej:

Przycisk szybkiego zamrażania (1): Używa się go do szybkiego zamrażania żywności. Naciśnięcie tego przycisku uruchamia sprężarkę, być może dopiero po pewnej chwili, ale jest zupełnie normalne.

Przycisk nastawiania termostatu (2): Używa się go do nastawiania chłodziarki w zakresie od wartości minimalnej do maksymalnej.

Wskaźnik temperatury (3): Wyświetla temperaturę wewnątrz chłodziarki.

Pomarańczowa dioda LED (4): Zapala się za naciśnięciem przycisku szybkiego zamrażania na panelu LED. W takim przypadku chłodziarka działa ciągle.

Za ponownym naciśnięciem tego przycisku, gdy temperatura szybko zamrażanej żywności zbliża się do żądanej wartości, pomarańczowa dioda LED zgaśnie.

Zielona dioda LED (5): Pali się ciągle po włączeniu chłodziarki do sieci zasilającej.

Czerwona dioda LED (6): Zapala się i świeci po uruchomieniu chłodziarki jako ostrzeżenie o niedostatecznym efekcie chłodzenia, gdy drzwiczki chłodziarki przez dłuższy czas pozostają otwarte lub gdy w chłodziarce jest zbyt wiele żywności.

Jeśli czerwona dioda LED pali się ciągle gdy nie zachodzą żadne z podanych w sąsiedniej kolumnie okoliczności, należy wezwać autoryzowany serwis.

5 Konserwacja i czyszczenie

- ⚠ Do czyszczenia lodówki nie wolno używać benzyny, benzenu, ani podobnych substancji.
- ⚠ Zalecamy wyłączenie wtyczki lodówki z gniazdka przed jej czyszczeniem.
- Do czyszczenia nie wolno stosować żadnych szorstkich narzędzi ani mydła, domowych środków czystości, detergentów, ani wosku do polerowania.
- Umyj obudowę lodówki letnią wodą i wytrzyj ją do sucha.
- Wnętrze należy czyścić ściereczką zamoczoną i wyżętą w roztworze jednej łyżeczki do herbaty sody oczyszczonej w 0,5 litra wody, a następnie wytrzeć do sucha.
- Jeśli chłodziarka ma być nieużywana przez dłuższy okres czasu, należy ją wyłączyć i całkowicie opróżnić z żywności, oczyścić i pozostawić z uchylonymi drzwiczkami.
- Regularnie sprawdzaj, czy uszczelki w drzwiczkach są czyste i nie osadzają się na nich cząstki żywności.

Zabezpieczenia powierzchni plastikowych

- Nie wkładajcie do lodówki oleju ani potraw smażonych na oleju w nieszczelnych pojemnikach, ponieważ może to uszkodzić jej plastikowe powierzchnie. W razie rozlania się lub rozsmarowania oleju na plastikowej powierzchni, od razu oczyśćcie i opłukajcie ciepłą wodą jej zabrudzoną część.

6 Zalecane rozwiązania problemów

Prosimy zapoznać się z tym wykazem przed wezwaniem serwisu. Może to oszczędzić Wasz czas i pieniądze. Wykaz ten zawiera częste kłopoty, które nie wynikają z wadliwego wykonania ani zastosowania wadliwych materiałów.

Kłopot	Możliwa przyczyna	Rozwiązanie
Lodówka nie działa.	Czy jest prawidłowo przyłączona do zasilania?	Włóżcie wtyczkę do gniazdka.
	Czy nie zadziałał bezpiecznik gniazdka, do którego jest przyłączona albo bezpiecznik główny?	Sprawdźcie bezpiecznik.
Skropliny na bocznej ścianie komory chłodzenia.	Bardzo niska temperatura otoczenia. Częste otwieranie i zamykanie drzwiczek. Znaczna wilgoć w otoczeniu. Przechowywanie żywności zawierającej płyny w otwartych pojemnikach. Pozostawienie uchylonych drzwiczek.	Przełączcie termostat na niższą temperaturę. Otwierajcie drzwiczki na krócej albo rzadziej. Nakrywajcie żywność przechowywaną w otwartych pojemnikach odpowiednim materiałem. Wytrzyjcie skropliny suchą ściereczką i sprawdzajcie, czy nadal się utrzymują.
Sprężarka nie działa	Zabezpieczenie termiczne sprężarki zadziała w trakcie nagłego zaniku zasilania lub załącza się i wyłącza, ponieważ nie wyrównało się jeszcze ciśnienie w systemie chłodzącym chłodziarki.	Chłodziarka zacznie działać po ok. 6 minutach. Jeśli po upływie tego czasu chłodziarka nie zacznie działać, prosimy wezwać serwis.
	Chłodziarka jest w cyklu rozmrażania.	Ton normalne dla chłodziarki z całkowicie automatycznym rozmrażaniem. Cykl rozmrażania następuje okresowo.
	Chłodziarka nie jest włączona do gniazdka.	Sprawdźcie, czy wtyczka jest dobrze włożona do gniazdka w ścianie.
	Czy temperatura jest właściwie nastawiona?	
	Nastąpiła jest awaria zasilania.	Zadzwońcie do Zakładu Energetycznego.

Chłodziarka pracuje często lub przez zbyt długi czas.	Nowa chłodziarka jest szersza od poprzedniej.	Jest to całkiem normalne. Duże chłodziarki działają przez dłuższy czas.
	Zbyt wysoka temperatura otoczenia.	Jest to całkiem normalne.
	Chłodziarka została niedawno załączona lub jest przeładowana żywnością.	Całkowite ochłodzenie chłodziarki może potrwać o parę godzin dłużej.
	Ostatnio włożono do chłodziarki znaczne ilości żywności.	Gorące potrawy powodują dłuższą pracę chłodziarki zanim osiągnie temperaturę przechowywania.
	Zbyt często otwierano drzwiczki, lub na dłużej pozostawiano je uchylone.	Ciepłe powietrze, które weszło do chłodziarki, powoduje, że działa ona dłużej. Rzadziej otwierajcie drzwiczki.
	Pozostawiono uchylone drzwiczki komory chłodzenia lub zamrażania.	Sprawdźcie, czy drzwiczki są szczelnie zamknięte.
Zbyt niskie temperatury	Chłodziarka jest nastawiona na bardzo niską temperaturę.	Nastawcie wyższą temperaturę chłodzenia i sprawdźcie skutek.
Zbyt wysokie temperatury	Chłodziarka jest nastawiona na bardzo wysoką temperaturę.	Zmieńcie temperaturę w chłodziarce lub zamrażalniku aż osiągnie odpowiedni poziom.
	Zbyt często otwierano drzwiczki, lub na dłużej pozostawiano je uchylone.	Gdy drzwiczki są otwarte, do komory chłodziarki wpada ciepłe powietrze. Rzadziej otwierajcie drzwiczki.
	Niedomknięte drzwiczki.	Szczelnie zamknijcie drzwiczki.
	Ostatnio włożono do chłodziarki znaczne ilości gorącej żywności.	Odczekajcie, aż temperatura w chłodziarce lub zamrażalniku osiągnie właściwy poziom.
	Chłodziarkę załączono niedawno.	Całkowite ochłodzenie chłodziarki trwa dłużej z powodu jej znacznych rozmiarów.

Poziom hałas		
Gdy chłodziarka pracuje, poziom hałasu wrasta.	Z powodu zmian temperatury otoczenia zmieniły się charakterystyki eksploatacyjne chłodziarki.	Jest to stan normalny, nie zaś awaria.
Drgania lub hałas	Nierówna lub słaba podłoga. Chłodziarka podskakuje, gdy porusza się ją powoli.	Sprawdźcie, czy podłoga jest równa, mocna i wytrzymuje ciężar chłodziarki.
	Hałas powodują rzeczy położone na chłodziarce.	Rzeczy takie należy zdjąć z chłodziarki.
Odgłosy przelewania się i syczenia płynu.	Zgodnie z zasadą funkcjonowania chłodziarki następują przepływy płynu lub gazu.	Jest to stan normalny, nie zaś awaria.
Woda/ skropliny na zewnątrz chłodziarki.		
Skropliny na wewnętrznych ściankach chłodziarki.	Ciepła i wilgotna pogoda sprzyja skraplaniu się wody.	Jest to stan normalny, nie zaś awaria.
	Pozostawiono uchylone drzwiczki.	Sprawdźcie, czy drzwiczki są szczelnie zamknięte.
	Drzwiczki otwierane zbyt często, lub na zbyt długo pozostawiane uchylone.	Rzadziej otwierajcie drzwiczki.
Woda/ skropliny na zewnątrz chłodziarki.		
Na zewnątrz chłodziarki, lub pomiędzy drzwiczkami pojawia się wilgoć.	Wilgotna pogoda.	To zupełnie normalne przy wilgotnej pogodzie. Gdy wilgoć w powietrzu ustąpi, skropliny znikną.

Nieprzyjemna woń wewnątrz chłodziarki.	Trzeba oczyścić wnętrze chłodziarki.	Oczyśćcie wnętrze chłodziarki gąbką namoczoną w ciepłej lub gazowanej wodzie.
	Woń powodują jakieś pojemniki lub materiały opakowaniowe.	Użyjcie innych pojemników lub materiałów opakowaniowych innej marki.
Otwieranie i zamykanie drzwiczek		
Drzwiczki się nie zamykają.	W zamknięciu drzwiczek przeszkadzają paczki z żywnością.	Przełóżcie paczki przeszkadzające zamknięciu drzwiczek.
	Podłoga nie jest równa lub dość wytrzymała.	Sprawdźcie, czy podłoga jest równa i wytrzymuje ciężar chłodziarki.

Prosím, prečítajte si najskôr túto príručku!

Vážený zákazník,

Dúfame, že váš produkt, ktorý bol vyrobený v moderných továrňach a skontrolovaný v rámci prepracovaných postupov riadenia kvality, vám bude úspešne a efektívne slúžiť.




Preto vám odporúčame, aby ste si pozorne prečítali celú túto príručku k vášmu produktu predtým, ako ho začnete používať, a ponechajte si ju poruke, aby ste si ju v prípade potreby mohli prezerat.

Tento manuál

- Vám pomôže používať váš prístroj rýchle a bezpečne.
 - Manuál si prečítajte pred inštaláciou a prevádzkou vášho produktu.
 - Dodržiavajte pokyny, obzvlášť tie, ktoré sa týkajú bezpečnosti.
 - Manuál si uschovajte na ľahko prístupnom mieste, pretože ho môžete neskôr potrebovať.
 - Okrem toho si prečítajte aj ostatné dokumenty dodané s vašim produktom.
- Majte na pamäti, že tento manuál platí aj pre iné modely.

Symbols a ich popis

Tento návod na obsluhu obsahuje nasledovné symboly:

-  Dôležité informácie alebo užitočné tipy.
-  Výstraha pred ohrozením života a majetku.
-  Výstraha pred elektrickým napätím.



This product bears the selective sorting symbol for waste electrical and electronic equipment (WEEE).

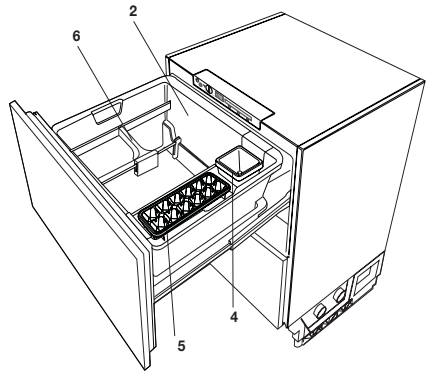
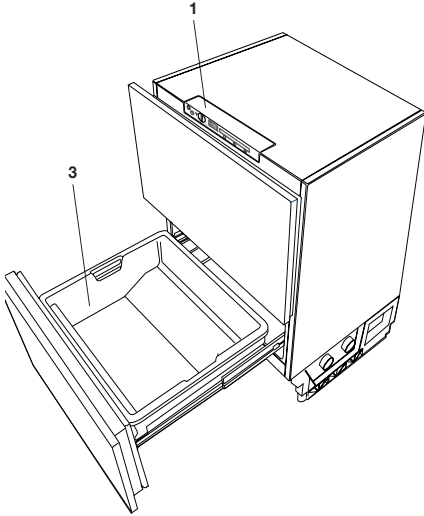
This means that this product must be handled pursuant to European Directive 2002/96/EC in order to be recycled or dismantled to minimize its impact on the environment. For further information, please contact your local or regional authorities.

Electronic products not included in the selective sorting process are potentially dangerous for the environment and human health due to the presence of hazardous substances.

OBSAH

1 Vaša chladnička	3	5 Údržba a čistenie	10
		Ochrana plastových povrchov	10
2 Upozornenia	4	6 Odporúčané riešenia problémov	11
Všeobecná bezpečnosť	4		
Zapnutie	5		
Ak sú v dome deti...	5		
Účely používania	5		
Bezpečnostné pokyny	5		
Veci, ktoré treba urobiť pre úsporu energie	5		
3 Inštalácia	6		
Príprava	6		
Body, ktoré je potrebné zvažovať pri opakovanej preprave chladničky	6		
Pred uvedením chladničky do prevádzky	6		
Elektrické pripojenie	7		
Likvidácia obalu	7		
Likvidácia vašej starej chladničky	7		
Nastavenie nôh	7		
4 Používanie chladničky	8		
Tlačidlo nastavenia teploty	8		
Skladovanie mrazených potravín	8		
LED indikátory a ovládací panel	9		

1 Vaša chladnička



- 1- Ovládací panel
- 2- Veľký košík
- 3- Malý košík
- 4- Nádobna na ľad
- 5- Zásobník na ľad
- 6- Oddelovač

i Obrázky v tejto príručke k obsluhu sú schematické a nemusia sa presne zhodovať s vašim produktom. Ak produkt, ktorý ste si zakúpili, nedisponuje uvádzanými časťami, potom sa to týka iných modelov.

2 Upozornenia

Prečítajte si nasledujúce informácie. Ak ich nebudete dodržiavať, môže to spôsobiť zranenia osôb alebo vecné škody. Všetky záručné záväzky tým strácajú platnosť.

Doba životnosti vami zakúpeného zariadenia je 10 rokov. Je to obdobie, počas ktorého sú k dispozícii náhradné diely pre zabezpečenie opísanej prevádzky.

Všeobecná bezpečnosť

- Ak chcete vyradiť/zlikvidovať tento produkt, odporúčame vám poradiť sa s autorizovaným servisom, aby ste získali potrebné informácie o autorizovaných orgánoch zriadených na tento účel.
- Obráťte sa na autorizovaný servis so všetkými otázkami a problémami s vašou chladničkou. Nezasahujte ani nenechajte iných zasahovať do chladničky bez upozornenia autorizovaného servisu.
- Nejedzte zmrzlinu a kocky ľadu ihneď po ich vybratí z mraziaceho priečinka! (Môžete si tým spôsobiť nepríjemný mrazivý pocit v ústach.)
- Do mraziaceho priečinka nekladajte tekuté nápoje vo fľašiach a plechoviciach. V opačnom prípade by mohli prasknúť.
- Mrazeného jedla sa nedotýkajte rukami; mohlo by sa k ruke prilepiť.
- Para a parové čistiace prostriedky by sa nikdy nemali používať pri čistení a odmrazovaní vašej chladničky. V takýchto prípadoch by sa para mohla dostať do kontaktu s elektrickými dielcami a spôsobiť skrat alebo zásah elektrickým prúdom.
- Nikdy nepoužívajte rôzne časti, ako napr. dvere, ako podpery alebo schodíky.
- Vo vnútri vašej chladničky nepoužívajte elektrické zariadenia.
- Chladiaci obvod, v ktorom cirkuluje chladivo, nepoškodzuje nástrojmi na vrtanie alebo rezanie. V prípade perforácie plynových kanálov výparníka, trubkových rozšírení alebo povrchových úprav, môže rozliaty chladiaci prostriedok spôsobiť podráždenie pokožky a zranenia očí.
- Neprekrývajte ani neblokujte ventilačné otvory na chladničke žiadnymi materiálmi.
- Opravy elektrických prístrojov môžu vykonávať len kvalifikované osoby. Opravy vykonávané nekompetentnými osobami môžu vyvolať riziko pre používateľa.
- V prípade zlyhania alebo počas údržby alebo opráv odpojte chladničku od elektrického rozvodu buď vypnutím príslušnej poistky alebo odpojením spotrebiča od siete.
- Pri odpájaní zásuvky neťahajte za kábel, ale potiahnite zásuvku.
- Nápoje s vysokým obsahom alkoholu umiestnite tesne vedľa seba a vertikálne.
- Horľavé predmety alebo produkty s obsahom horľavých plynov (napr. sprej), ako aj výbušné materiály, by sa nikdy nemali uchovávať v spotrebiči.
- Nepoužívajte mechanické prístroje alebo iné prostriedky na urýchľovanie rozmrazovacieho procesu, inak ako odporúča výrobca.
- Tento spotrebič nie je určený na to, aby ho používala osoba so zníženými

telesnými, zmyslovými alebo duševnými schopnosťami, či nedostatkom skúseností a vedomostí, ak nie je pod dohľadom osoby zodpovednej za jej bezpečnosť alebo ak od nej nedostáva pokyny.

- Deti by mali byť pod dohľadom, aby sa zabránilo ich hre so spotrebičom.

Zapnutie

- Neuvádzajte do prevádzky poškodenú chladničku. Ak máte pochybnosti, kontaktujte váš servis.
- Elektrická bezpečnosť vašej chladničky je zaručená len vtedy, keď je váš uzemňovací systém v zhode s týmito štandardmi.

Ak sú v dome deti...

- Nedovoľte deťom, aby sa hrali s vašou chladničkou. Môžu sa zraniť alebo poškodiť chladničku. (Např. nedovoľte im zavesiť sa na dvere.)

Účely používania

- Tento produkt bol navrhnutý pre použitie v domácnosti.
- Nesmie sa používať v exteriéroch. Nie je vhodný na použitie v exteriéri ani v prípade, ak je zakrytý strieškou.

Bezpečnostné pokyny

- Vystavenie produktu pôsobeniu dažďa, snehu, slnka a vetra je nebezpečné z pohľadu elektrickej bezpečnosti.
- Pri poškodení elektrického kábla kontaktujte autorizovaný servis, aby vám nehrozilo žiadne nebezpečenstvo.
- **Varovanie:** Počas inštalácie nikdy chladničku nepripájajte do elektrickej zásuvky. V opačnom prípade vznikne riziko usmrtenia alebo vážneho zranenia.

⚠ Váš produkt je vybavený prirodzeným chladiacim systémom (R600a), ktorý neobsahuje plyny CFC a HFC. Tento plyn je horľavý. Preto dajte pozor na to, aby ste nepoškodili chladiaci systém a potrubné vedenia pri používaní a preprave. V prípade poškodenia nevystavujte výrobok ohňu; udržiavajte výrobok mimo potenciálnych zdrojov plameňa, ktoré by mohli spôsobiť vznietenie produktu, a miestnosť, kde je zariadenie umiestnené, dostatočne vetrajte.

Veci, ktoré treba urobiť pre úsporu energie

- ⓘ Nenechávajte dvere vašej chladničky otvorené dlhý čas.
- ⓘ Do chladničky nekladajte horúce jedlo alebo nápoje.
- ⓘ Chladničku neprepíňajte, aby ste neblokovali prúdenie vzduchu v interiéri.
- ⓘ Vašu chladničku neumiestňujte na priame slnečné svetlo alebo do blízkosti zariadení, ktoré produkujú teplo, např. rúry na pečenie, umývačky riadu alebo radiátory.
- ⓘ Dbajte na to, aby ste jedlo uchovávali v uzavretých nádobách.

3 Inštalácia

⚠ Zapamätajte si, že výrobca nie je zodpovedný za škody v prípade, ak nedodržíte pokyny v návode na použitie.

Príprava

- Vaša chladnička by mala byť umiestnená v najmenej 30 cm vzdialenosti od zdrojov tepla, ako sú horáky, rúry na pečenie, radiátory a kachle a najmenej v 5 cm vzdialenosti od elektrických rúr na pečenie a nemala by byť umiestnená na priamom slnku.
- Teplota prostredia v miestnosti, kde chladničku inštalujete, by mala byť aspoň 10 °C. Prevádzka chladničky v chladnejšom prostredí sa neodporúča s ohľadom na jej účinnosť.
- Uistite sa, že je interiér vašej chladničky dôkladne vyčistený.
- Ak sa budú vedľa seba inštalovať dve chladničky, mala by byť medzi nimi vzdialenosť minimálne 2 cm.
- Pri prvom spustení vašej chladničky počas šiestich hodín dodržujte nasledujúce pokyny.
 - Dvere by ste nemali otvárať príliš často.
 - Chladnička musí byť počas tohto času prázdna.
 - Chladničku neodpájajte od siete.Ak dôjde k výpadku napájania, ktoré nemôžete ovplyvniť, pozrite si upozornenia v časti „Odporúčané riešenia problémov“.
- Originálny obal a penové materiály by ste si mali odložiť za účelom budúceho transportu a prenášania.

Body, ktoré je potrebné zvažovať pri opakovanej preprave chladničky

1. Vaša chladnička musí byť pred presunom prázdna a očistená.
2. Police, príslušenstvo, priehradky atď. vo vašej chladničke musia byť pred opätovným zabalením chladničky zalepené a zaistené voči otrasom.
3. Balenie musíte zaistiť hrubými páskami alebo silnými lanami a musíte dodržiavať bezpečnostné pokyny na balení.

Zapamätajte si láskavo...

Každý recyklovaný materiál je nepostrádateľným zdrojom pre prírodu a národné zdroje.

Ak by ste chceli prispieť k recyklácii obalových materiálov, informácie môžete získať u ekologických organizácií alebo na miestnych úradoch.

Pred uvedením chladničky do prevádzky

Pred začatím používania vašej chladničky skontrolujte nasledovné:

1. Je interiér chladničky suchý a môže vzduch ľahko cirkulovať v zadnej časti?
2. Vložte 2 plastové klince na zadnú ventiláciu, ako je to ukázané na nasledujúcom obrázku. Plastové klince zaisťujú požadovanú vzdialenosť medzi chladničkou a stenou kvôli dostatočnej cirkulácii vzduchu.
3. Vyčistite interiér chladničky podľa odporúčania v odseku „Údržba a čistenie“.
4. Chladničku pripojte do elektrickej zásuvky. Keď sa otvoria dvere

- chladničky, zapne sa vnútorné svetlo.
5. Budete počuť zvuk pri zapnutí kompresora. Kvapalina a plyny utesnené v chladiacom systéme môžu vydávať nejaký zvuk, bez ohľadu na to, či kompresor je alebo nie je v prevádzke. Toto je celkom normálne.
 6. Predné hrany chladničky môžu byť zohriate. To je normálne. Tieto časti sú vytvorené tak, aby boli zohriate, aby sa predišlo kondenzácii.

Elektrické pripojenie

Pripojte výrobok k uzemnenej zástrčke, ktorá je chránená poistkou príslušnej kapacity.

Dôležité:

- Pripojenie musí byť v zhode s národnými predpismi.
- Elektrická zásuvka musí byť po inštalácii ľahko prístupná.
- Napätie a povolená ochrana poistkou sú uvedené v odseku „Špecifikácie“.
- Určené napätie musí byť rovnaké ako napätie vo vašej elektrickej sieti.
- Predlžovacie káble a rozbočky sa nesmú používať na pripojenie zariadenia.

A Poškodený elektrický kábel musí vymeniť kvalifikovaný elektrikár.

- ⚠ Zariadenie sa nesmie prevádzkovať dovtedy, pokiaľ nebude opravené! Hrozí nebezpečenstvo zásahu elektrickým prúdom!

Likvidácia obalu

Obalový materiál môže byť nebezpečný pre deti. Obalový materiál držte mimo dosahu detí alebo ho vyhodte podľa pokynov pre likvidáciu odpadu.

Neodhadzujte ho spolu s normálnym domovým odpadom.

Balenie chladničky je vyrobené z recyklovateľných materiálov.

Likvidácia vašej starej chladničky

Vašu starú chladničku zlikvidujte ekologicky.

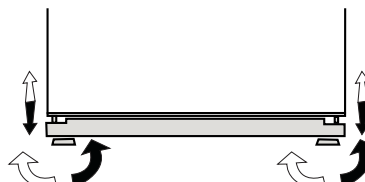
- O likvidácii vašej starej chladničky sa môžete poradiť s vašim autorizovaným predajcom alebo zberným miestom.

Pred likvidáciou vašej chladničky odrežte elektrickú zásuvku a ak sa na dverách nachádzajú nejaké zámky, znefunkčnite ich, aby ste nevystavili deti žiadnemu nebezpečenstvu.

Nastavenie nôh

Ak je vaša chladnička nestabilná;

Chladničku môžete vyvážiť otáčaním predných nôh tak, ako je to znázornené na obrázku. Keď nohu otáčate v smere čiernej šípky, roh s príslušnou nohou sa znižuje; keď nohu otáčate v opačnom smere, poloha sa zvyšuje. Pomoc inej osoby miernym pridvihnutím chladničky celý proces uľahčí.



4 Používanie chladničky

Tlačidlo nastavenia teploty

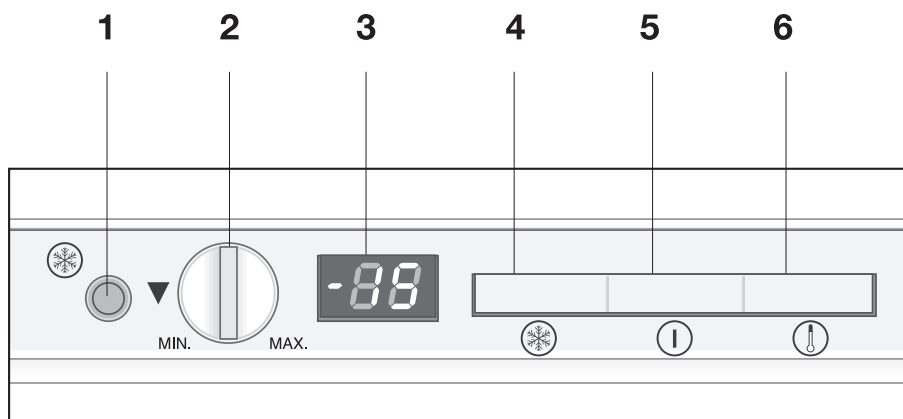
Teplota interiéru vašej chladničky sa mení z nasledovných dôvodov;

- Sezónne teploty,
- Časté otváranie dverí a dlhé ponechanie otvorených dverí,
- Vloženie jedla do chladničky skôr, ako sa schladí na izbovú teplotu.
- Umiestnenie chladničky v miestnosti (napr. vystavenie slnečnému žiareniu).

Meniacu sa teplotu interiéru môžete z týchto dôvodov nastaviť pomocou termostatu. Ak je okolitá teplota vyššia ako 32 °C, otočte tlačidlo termostatu do maximálnej polohy.

Skladovanie mrazených potravín

- Mrazené potraviny je vo všeobecnosti možné skladovať po dobu max. 3 mesiacov pri teplotách pod -18 °C. Doby skladovania sa môžu odlišovať podľa konkrétneho typu jedla. Doby skladovania v podobe dátumov expirácie sú výrobcom vyznačené na balení jedla.
- Mrazené jedlo, ktoré ste zakúpili, by ste mali umiestniť do mrazničky predtým, ako sa rozmrazí.
- Mrazené jedlo môže byť uchovávané v priechodkoch so zásuvkami.



LED indikátory a ovládací panel

LED indikátory v prednej časti chladničky sú určené na to, aby vám pomáhali monitorovať prevádzku spotrebiča.

Bezpečným spôsobom uchovávajú jedlo v chladničke sledovaním a používaním týchto LED indikátorov a ovládacích prvkov podľa nižšie uvedených pokynov:

Tlačidlo rýchleho zmrazenia (1): Používa sa na rýchle zmrazenie jedla. Kompresor nemusí byť uvedený do prevádzky okamžite, ale až po určitom čase po stlačení tlačidla; toto je úplne normálne.

Tlačidlo nastavenia termostatu (2): Používa sa na nastavenie vašej chladničky medzi minimálnu a maximálnu hodnotu.

Indikátor teploty (3): Zobrazuje vnútornú teplotu v chladničke.

Oranžový LED indikátor (4): Rozsvieti sa, keď stlačíte tlačidlo rýchleho zmrazenia na LED paneli. V tomto prípade je vaša chladnička v neustálej prevádzke.

Keď jedlo, ktoré chcete rýchlo zmraziť, dosiahne požadovanú teplotu, stlačte toto tlačidlo znovu a oranžový indikátor LED sa vypne.

Zelený LED indikátor (5): Svetí nepretržite po pripojení chladničky do siete.

Červený LED indikátor (6): Varuje vás nepretržitým svietením pri zahájení prevádzky chladničky na to, že nebol dosiahnutý dostatočný chladiaci účinok, ak zostanú dlho otvorené dvere a v prípade, ak vložíte do chladničky väčšie množstvo jedla.

Ak červený indikátor LED svieti nepretržite v prípade, ak nenastala žiadna z príčin uvedených vo vedľajšom stĺpci, volajte váš autorizovaný servis.

5 Údržba a čistenie

- ⚠ Na čistenie nikdy nepoužívajte plyn, benzín alebo obdobné prostriedky.
- ⚠ Odporúčame vám, aby ste zariadenie pred vyčistením odpojili od siete.
- Na čistenie nikdy nepoužívajte žiadne ostré predmety ani drsné látky, mydlo, domáce čističlá, čistiace prostriedky ani voskové leštičlá.
- Na čistenie chladničky použite teplú vodu a vytrite ju do sucha.
- Použite vlhkú handru namočenú v roztoku jednej lyžičky sódy bikarbóny v pol litri vody. Umyte vnútrajšok a vytrite ho do sucha.
- Ak sa chladničku nechystáte používať dlhšie obdobie, odpojte napájací kábel, vyberte všetky potraviny, vyčistite ju a nechajte dvere pootvorené.
- Skontrolujte tesnenie dverí či je čisté a zbavené odrobínok z jedla.

Ochrana plastových povrchov

- Kvapalné oleje a vyprázané potraviny neumiestňujte do chladničky v otvorených nádobách, pretože poškodzujú plastové povrchy vašej chladničky. V prípade rozliatia alebo rozretia oleja na plastové povrchy okamžite vyčistite a opláchnite príslušnú časť povrchu teplou vodou.

6 Odporúčané riešenia problémov

Pred zavolaním servisu si pozrite tento zoznam. Môže vám to ušetriť čas aj peniaze. Tento zoznam obsahuje bežné sťažnosti, ktoré sa nevzťahujú na chybné spracovanie alebo využitie materiálu.

Problém	Možná príčina	Riešenie
Chladnička nefunguje	Je chladnička správne pripojená do siete?	Zasuňte zásuvku do stenovej zástrčky.
	Nie je prepálená poistka, ku ktorej je pripojená chladnička, alebo hlavná poistka?	Skontrolujte poistku.
Vlhkosť na bočných stenách priestoru chladničky.	Veľmi studené podmienky prostredia. Časté otváranie a zatváranie dverí. Veľmi vlhké podmienky prostredia. V chladničke sa nachádzajú potraviny obsahujúce kvapaliny v otvorených nádobách. Ponechanie pootvorených dverí.	Prepnutie termostatu do chladnejšej polohy. Skrátenie doby otvorenia dverí alebo ich zriedkavejšie používanie. Prikrytie jedla v otvorených nádobách vhodným materiálom. Vlhkosť poutierajte suchou handrou a skontrolujte, či stále pretrváva.
Kompresor nie je v prevádzke	Ochranná teplotná poistka kompresora sa vypáli počas náhleho výpadku napájania alebo pri vytiahnutí a opätovnom zastrčení zásuvky, pretože tlak chladiva v chladničke ešte nie je vyvážený.	Vaša chladnička začne pracovať po približne šiestich minútach. Ak po tomto čase vaša chladnička nezačne pracovať, zavolajte servis.
	Chladnička je v odmrazovacom cykle.	Pre plne automatickú rozmrazovaciu chladničku je to normálne. Cyklus odmrazovania sa vykonáva pravidelne.
	Chladnička nie je pripojená do siete.	Uistite sa, že ja zásuvka pevne zasunutá do stenovej zástrčky.
	Sú správne vykonané nastavenia teploty?	
	Zlyhalo napájanie.	Zavolajte elektrárne.

Chladnička pracuje príliš často alebo príliš dlhý čas.	Nová chladnička môže byť širšia ako stará.	To je úplne normálne. Veľké chladničky pracujú dlhší čas.
	Okolité teplota môže byť vysoká.	To je úplne normálne.
	Chladnička mohla byť zapnutá len nedávno alebo mohlo byť do nej vložené jedlo.	Kompletné vychladenie chladničky môže trvať o niekoľko hodín dlhšie.
	Do chladničky mohlo byť len nedávno vložené väčšie množstvo teplého jedla.	Teplé jedlo spôsobuje dlhší chod chladničky, kým sa nedosiahne bezpečná teplota skladovania.
	Dvere mohli byť často otvárané alebo ponechané po dlhý čas v pootvorenom stave.	Teplý vzduch, ktorý prenikol do chladničky, spôsobuje, že chladnička pracuje dlhší čas. Dvere otvárajte menej často.
	Mraziak alebo oddelenie chladničky mohlo byť ponechané pootvorené.	Skontrolujte, či sú dvere tesne zatvorené.
Teploty sú príliš nízke	Teplota chladničky je nastavená na veľmi nízku hodnotu.	Nastavte teplotu vašej chladničky na vyšší stupeň a znovu skontrolujte.
Teploty sú príliš vysoké.	Teplota chladničky je nastavená na veľmi vysokú hodnotu.	Zmeňte teplotu chladničky alebo mrazničky, pokým sa tieto teploty nedostanú na adekvátnu úroveň.
	Dvere mohli byť často otvárané alebo ponechané po dlhý čas v pootvorenom stave.	Pri otvorení dverí do priestoru chladničky rýchlo vniká teplý vzduch. Dvere otvárajte menej často.
	Možno ste ponechali pootvorené dvere.	Dvere dôkladne zatvorte.
	Do chladničky mohlo byť len nedávno vložené väčšie množstvo teplého jedla.	Počkajte, kým mraznička alebo chladnička dosiahnu požadovanú teplotu.
	Chladnička mohla byť pripojená do siete len nedávno.	Úplne vychladenie chladničky trvá istý čas z dôvodu jej veľkosti.

Hlučnosť		
Prevádzkový hluč sa zvyšuje, keď chladnička pracuje.	Výkonová charakteristika prevádzky chladničky sa môže meniť podľa zmeny okolitej teploty.	Je to úplne normálne a neznamená to poruchu.
Otrasy alebo hluč.	Podlaha nie je rovná alebo nie je pevná. Chladnička sa trasie pri pomalom pohybe.	Skontrolujte, či je podlaha rovná a pevná a či dokáže uniesť hmotnosť chladničky.
	Hluč môže byť spôsobený predmetmi položenými na chladničke.	Takéto predmety by ste mali z vrchnej časti chladničky odstrániť.
Vyskytujú sa zvuky ako rozliatie alebo rozprášenie kvapaliny.	Tok kvapaliny a plynu sa uskutočňuje podľa prevádzkových princípov.	Je to úplne normálne a neznamená to poruchu.
V chladničke sa tvorí voda/kondenzácia.		
Kondenzácia na vnútorných stenách chladničky.	Horúce a vlhké počasie zvyšuje kondenzáciu.	Je to úplne normálne a neznamená to poruchu.
	Dvere sú otvorené.	Skontrolujte, či sú dvere dôkladne zatvorené.
	Dvere mohli byť často otvárané alebo ponechané po dlhý čas v otvorenom stave.	Dvere otvárajte menej často.
Na vonkajšej strane chladničky sa tvorí voda/kondenzácia.		
Na vonkajšej strane chladničky alebo medzi dverami sa tvorí vlhkosť.	Počasie môže byť vlhké.	Vo vlhkom počasí je to úplne normálne. Pri nižšej vlhkosti sa kondenzácia stratí.

Vo vnútri chladničky je nepríjemný zápach.	Musíte vyčistiť interiér chladničky.	Interiér chladničky vyčistíte špongiou, teplou vodou alebo sýtenou vodou.
	Niektoré nádoby alebo obalové materiály môžu zapáchať.	Použite odlišnú nádobu alebo odlišnú značku baliaceho materiálu.
Otváranie a zatváranie dverí		
Dvere sa nedajú zatvoriť.	Obaly potravín môžu brániť zatvoreniu dverí.	Odstráňte obaly, ktoré bránia v ceste dverám.
	Podlaha nie je rovná alebo dostatočne pevná.	Skontrolujte, či je podlaha rovná a či dokáže uniesť hmotnosť chladničky.

48 7467 0000

EN-CZ-PL-SK