

OIM 24501

Built-In oven

User Manual

Kuchenka do zabudowy

Instrukcja użytkowania

Please read this user manual first!

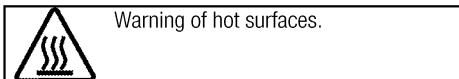
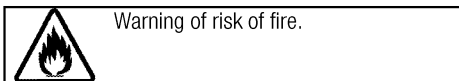
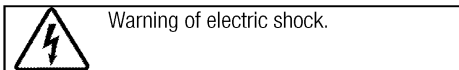
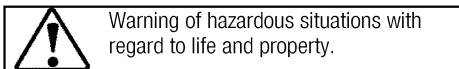
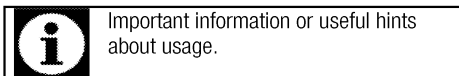
Dear Customer,

Thank you for purchasing this Beko product. We hope that you get the best results from your product which has been manufactured with high quality and state-of-the-art technology. Therefore, please read this entire user manual and all other accompanying documents carefully before using the product and keep it as a reference for future use. If you handover the product to someone else, give the user manual as well. Follow all warnings and information in the user manual.

Remember that this user manual is also applicable for several other models. Differences between models will be identified in the manual.

Explanation of symbols

Throughout this user manual the following symbols are used:



Arçelik A.Ş.
Karaağaç caddesi No:2-6
34445 Sütlüce/Istanbul/TURKEY
Made in TURKEY

CE

TABLE OF CONTENTS

1 Important instructions and warnings for safety and environment 4

General safety.....	4
Electrical safety.....	4
Product safety.....	5
Intended use.....	6
Safety for children.....	6
Disposing of the old product.....	7
Package information.....	7

2 General information 8

Overview.....	8
Package contents.....	9
Technical specifications.....	10

3 Installation 11

Before installation.....	11
Installation and connection.....	14
Future Transportation.....	15

4 Preparation 16

Tips for saving energy.....	16
Initial use.....	16
Time setting.....	16
First cleaning of the appliance.....	17

Initial heating.....	17
----------------------	----

5 How to operate the oven 18

General information on baking, roasting and grilling.....	18
How to operate the electric oven.....	18
Operating modes.....	20
How to operate the oven control unit.....	22
Using the oven clock.....	23
Using the keylock.....	23
Using the clock as an alarm.....	24
Cooking times table.....	25
How to operate the grill.....	26
Cooking times table for grilling.....	27

6 Maintenance and care 28

General information.....	28
Cleaning the control panel.....	28
Cleaning the oven.....	28
Removing the oven door.....	29
Removing the door inner glass.....	29
Replacing the oven lamp.....	30

7 Troubleshooting 31

1 Important instructions and warnings for safety and environment

This section contains safety instructions that will help protect from risk of personal injury or property damage. Failure to follow these instructions shall void any warranty.

General safety

- This appliance can be used by children aged from 8 years and above and persons with reduced physical, sensory or mental capabilities or lack of experience and knowledge if they have been given supervision or instruction concerning use of the appliance in a safe way and understand the hazards involved.
Children shall not play with the appliance. Cleaning and user maintenance shall not be made by children without supervision.
- Installation and repair procedures must always be performed by Authorized Service Agents. The manufacturer shall not be held responsible for damages arising from procedures carried out by unauthorized persons which may also void the warranty. Before installation, read the instructions carefully.
- Do not operate the product if it is defective or has any visible damage.

- Control that the product function knobs are switched off after every use.

Electrical safety

- If the product has a failure, it should not be operated unless it is repaired by the Authorized Service Agent. There is the risk of electric shock!
- Only connect the product to a grounded outlet/line with the voltage and protection as specified in the “Technical specifications”. Have the grounding installation made by a qualified electrician while using the product with or without a transformer. Our company shall not be liable for any problems arising due to the product not being earthed in accordance with the local regulations.
- Never wash the product by spreading or pouring water onto it! There is the risk of electric shock!
- The product must be unplugged during installation, maintenance, cleaning and repairing procedures.
- If the power connection cable for the product is damaged, it must be replaced by the manufacturer, its service agent or similiary

qualified persons in order to avoid a hazard.

- The appliance must be installed so that it can be completely disconnected from the network. The separation must be provided either by a mains plug, or a switch built into the fixed electrical installation, according to construction regulations.
- Rear surface of the oven gets hot when it is in use. Make sure that the electrical connection does not contact the rear surface; otherwise, connections can get damaged.
- Do not trap the mains cable between the oven door and frame and do not route it over hot surfaces. Otherwise, cable insulation may melt and cause fire as a result of short circuit.
- Any work on electrical equipment and systems should only be carried out by authorized and qualified persons.
- In case of any damage, switch off the product and disconnect it from the mains. To do this, turn off the fuse at home.
- Make sure that fuse rating is compatible with the product.

Product safety

- The appliance and its accessible parts become hot during use. Care should be taken to avoid

touching heating elements.

Children less than 8 years of age shall be kept away unless continuously supervised.

- Never use the product when your judgment or coordination is impaired by the use of alcohol and/or drugs.
- Be careful when using alcoholic drinks in your dishes. Alcohol evaporates at high temperatures and may cause fire since it can ignite when it comes into contact with hot surfaces.
- Do not place any flammable materials close to the product as the sides may become hot during use.
- During use the appliance becomes hot. Care should be taken to avoid touching heating elements inside the oven.
- Keep all ventilation slots clear of obstructions.
- Do not heat closed tins and glass jars in the oven. The pressure that would build-up in the tin/jar may cause it to burst.
- Do not place baking trays, dishes or aluminium foil directly onto the bottom of the oven. The heat accumulation might damage the bottom of the oven.
- Do not use harsh abrasive cleaners or sharp metal scrapers to clean the oven door glass since

they can scratch the surface, which may result in shattering of the glass.

- Do not use steam cleaners to clean the appliance as this may cause an electric shock.
- Use the shelves as described in "How to operate the electric oven".
- Do not use the product if the front door glass removed or cracked.
- Oven handle is not towel dryer. Do not hang up towel, gloves, or similar textile products when the grill function is at open door.
- Always use heat resistant oven gloves when putting in or removing dishes into/from the hot oven.
- Ensure that the appliance is switched off before replacing the lamp to avoid the possibility of electric shock.

For the reliability of the fire of the product;

- Make sure the plug is fitting to socket as well for not cause to spark.
- Do not use damaged or cutted or extension cable except the original cable.
- Make sure that not whether liquid or moisture on the socket is plugged to product .

Intended use

- This product is designed for domestic use. Commercial use will void the guarantee.
- This appliance is for cooking purposes only. It must not be used for other purposes, for example room heating.
- This product should not be used for warming the plates under the grill, drying towels, dish cloths etc. by hanging them on the oven door handles. This product should also not be used for room heating purposes.
- The manufacturer shall not be liable for any damage caused by improper use or handling errors.
- The oven can be used for defrosting, baking, roasting and grilling food.

Safety for children

- Accessible parts may become hot during use. Young children should be kept away.
- The packaging materials will be dangerous for children. Keep the packaging materials away from children. Please dispose of all parts of the packaging according to environmental standards.
- Electrical products are dangerous to children. Keep children away from the product when it is operating and do not allow them to play with the product.

- Do not place any items above the appliance that children may reach for.
- When the door is open, do **not** load any heavy object on it and do **not** allow children to sit on it. It may overturn or door hinges may get damaged.

Disposing of the old product

Compliance with the WEEE Directive and Disposing of the Waste Product:



This product complies with EU WEEE Directive (2012/19/EU). This product bears a classification symbol for waste electrical and electronic equipment (WEEE).

This product has been manufactured with high quality parts and materials which can be reused and are suitable for recycling. Do not dispose of the waste product with normal domestic and other wastes at the end of its

service life. Take it to the collection center for the recycling of electrical and electronic equipment. Please consult your local authorities to learn about these collection centers.

Compliance with RoHS Directive:

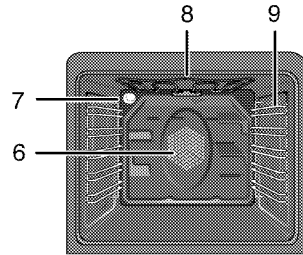
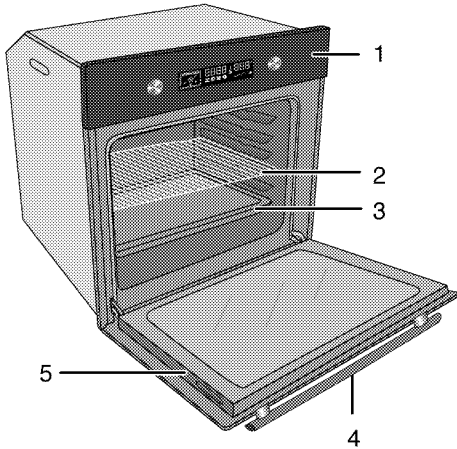
The product you have purchased complies with EU RoHS Directive (2011/65/EU). It does not contain harmful and prohibited materials specified in the Directive.

Package information

- Packaging materials of the product are manufactured from recyclable materials in accordance with our National Environment Regulations. Do not dispose of the packaging materials together with the domestic or other wastes. Take them to the packaging material collection points designated by the local authorities.

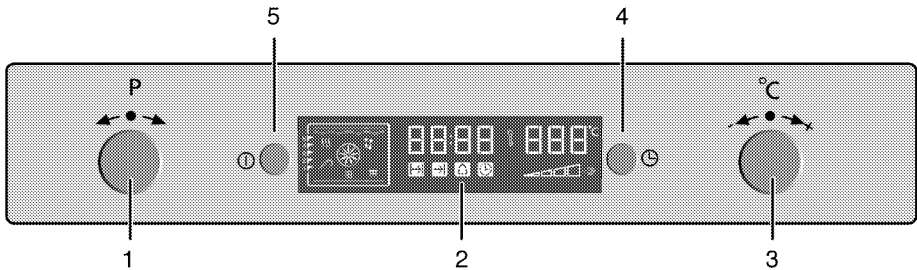
2 General information

Overview



- 1 Control panel
- 2 Wire shelf
- 3 Tray
- 4 Handle
- 5 Door

- 6 Fan motor (behind steel plate)
- 7 Lamp
- 8 Grill heating element
- 9 Shelf positions



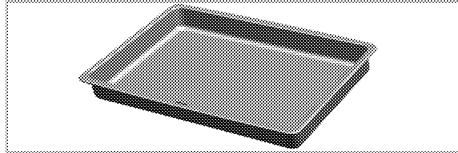
- 1 Program selection knob
- 2 Digital timer
- 3 Temperature-time increase/decrease button
- 4 Menu button
- 5 ON/OFF button

Package contents

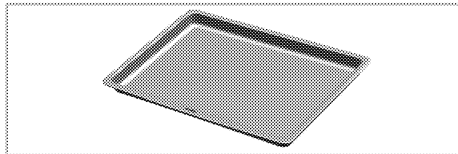


Accessories supplied can vary depending on the product model. Not every accessory described in the user manual may exist on your product.

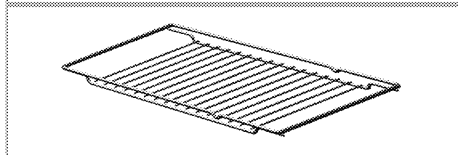
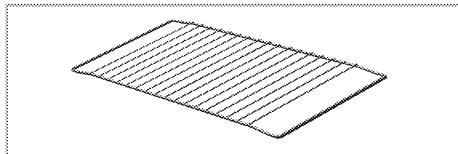
1. **User manual**
2. **Deep tray**
Used for pastries, large roasts, juicy dishes, and for collecting the fat while grilling.



3. **Cake tray**
Used for pastries such as cookies and biscuits.

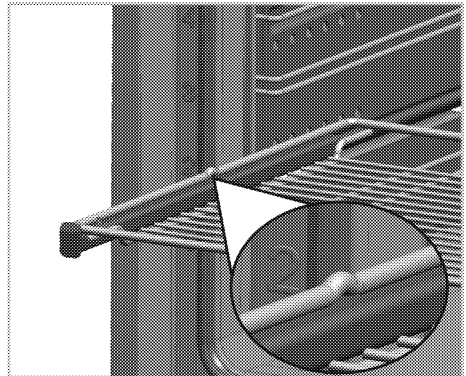
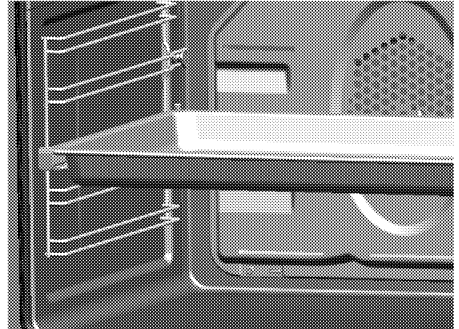


4. **Wire Shelf**
Used for roasting and for placing the food to be baked, roasted or cooked in casserole dishes to the desired rack.

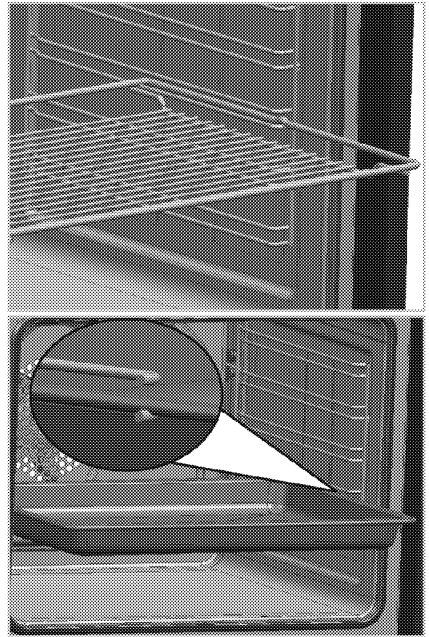


5. **Placing the wire shelf and tray onto the telescopic racks properly**

Telescopic racks allow you to install and remove the trays and wire shelf easily. When using the tray and wire shelf with telescopic racks, make sure that the pins at the rear section of the telescopic rack stands against the edges of the wire shelf and tray.



6. **Placing the wire shelf and tray onto the wire racks properly**
Products without telescopic pull-out: With product without a telescopic pull-out, the baking tray and grill are pushed in with their edges between the runners on the side mounts.
 It is important to place the wire shelf and/or tray onto the rack properly. Slide the wire shelf or tray between 2 rails and make sure that it is balanced before placing food on it (Please see the following figure).



Technical specifications

Voltage / frequency	220-240 V ~ 50 Hz
Total power consumption	3.1kW
Fuse	min. 16 A
Cable type / section	H05VV-FG 3 x 1,5 mm ²
Cable length	max. 2 m
External dimensions (height / width / depth)	595 mm/594 mm/567 mm
Installation dimensions (height / width / depth)	**590 or 600 mm/560 mm/min. 550 mm
Main oven	Multifunction oven
Energy efficiency class [#]	A
Inner lamp	15/25 W
Grill power consumption	2.2 kW

[#] Basics: Information on the energy label of electrical ovens is given in accordance with the EN 50304 standard. Those values are determined under standard load with bottom-top heater or fan assisted heating (if any) functions.

Energy efficiency class is determined in accordance with the following prioritization depending on whether the relevant functions exist on the product or not. 1- Cooking with eco-fan, 2- Turbo slow cooking, 3- Turbo cooking, 4- Fan assisted bottom/top heating, 5- Top and bottom heating.

** See. *Installation*, page 11.



Technical specifications may be changed without prior notice to improve the quality of the product.



Figures in this manual are schematic and may not exactly match your product.



Values stated on the product labels or in the documentation accompanying it are obtained in laboratory conditions in accordance with relevant standards. Depending on operational and environmental conditions of the product, these values may vary.

3 Installation

Product must be installed by a qualified person in accordance with the regulations in force. The manufacturer shall not be held responsible for damages arising from procedures carried out by unauthorized persons which may also void the warranty.



Preparation of location and electrical installation for the product is under customer's responsibility.



DANGER:

The product must be installed in accordance with all local electrical regulations.



DANGER:

Prior to installation, visually check if the product has any defects on it. If so, do not have it installed.
Damaged products cause risks for your safety.

Before installation

The appliance is intended for installation in commercially available kitchen cabinets. A safety distance must be left between the appliance and the kitchen walls and furniture. See figure (values in mm).

- Surfaces, synthetic laminates and adhesives used must be heat resistant (100 °C minimum).
- Kitchen cabinets must be set level and fixed.
- If there is a drawer beneath the oven, a shelf must be installed between oven and drawer.
- Carry the appliance with at least two persons.



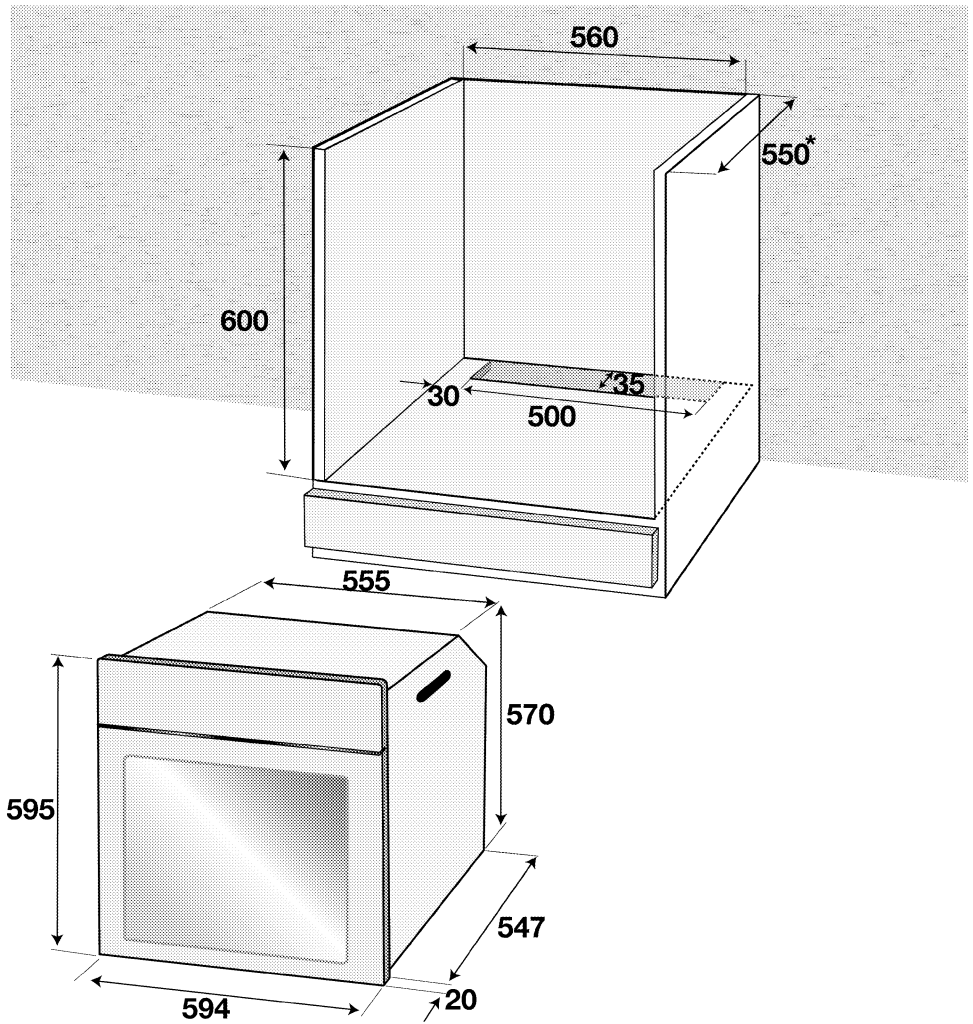
Do not install the appliance next to refrigerators or freezers. The heat emitted by the appliance will lead to an increased energy consumption of cooling appliances.



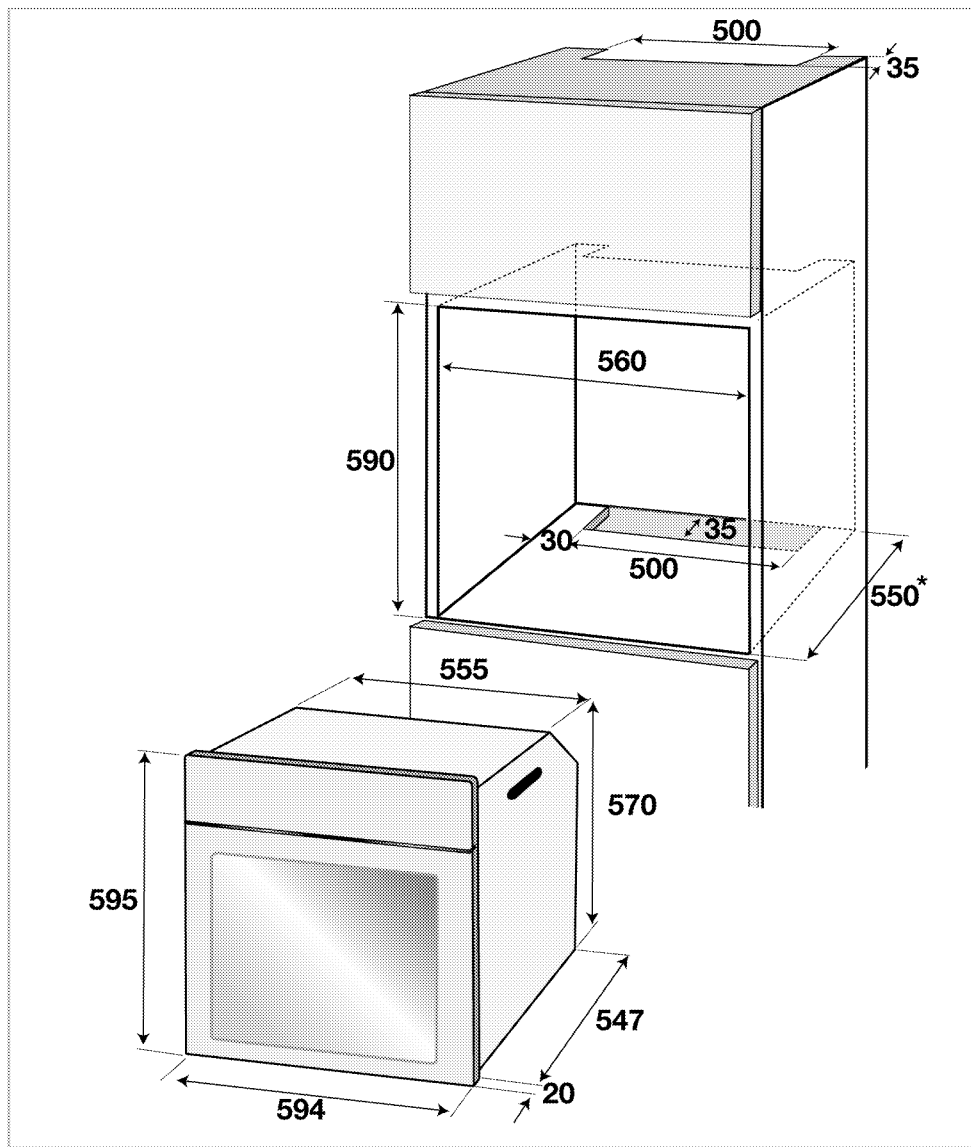
The door and/or handle must not be used for lifting or moving the appliance.



If the appliance has wire handles, push the handles back into the side walls after moving the appliance.



* min.



* min.


Installation and connection

- Product can only be installed and connected in accordance with the statutory installation rules.


Electrical connection

Connect the product to a grounded outlet/line protected by a fuse of suitable capacity as stated in the "Technical specifications" table. Have the grounding installation made by a qualified electrician while using the product with or without a transformer. Our company shall not be liable for any damages that will arise due to using the product without a grounding installation in accordance with the local regulations.

 **DANGER:**
The product must be connected to the mains supply only by an authorised and qualified person. The product's warranty period starts only after correct installation.
Manufacturer shall not be held responsible for damages arising from procedures carried out by unauthorised persons.

 **DANGER:**
The power cable must not be clamped, bent or trapped or come into contact with hot parts of the product.
A damaged power cable must be replaced by a qualified electrician. Otherwise, there is risk of electric shock, short circuit or fire!

- Connection must comply with national regulations.
- The mains supply data must correspond to the data specified on the type label of the product. Open the front door to see the type label.
- Power cable of your product must comply with the values in "Technical specifications" table.

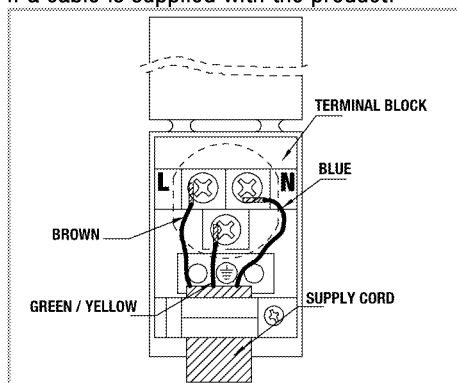
 **DANGER:**
Before starting any work on the electrical installation, disconnect the product from the mains supply.
There is the risk of electric shock!

Connecting the power cable

1. If it is not possible to disconnect all poles in the supply power, a disconnection unit with at least 3 mm contact clearance (fuses, line safety switches, contactors) must be connected and all the poles of this disconnection unit must be adjacent to (not above) the product in accordance with IEE directives. Failure to obey this instruction may cause operational problems and invalidate the product warranty.

Additional protection by a residual current circuit breaker is recommended.

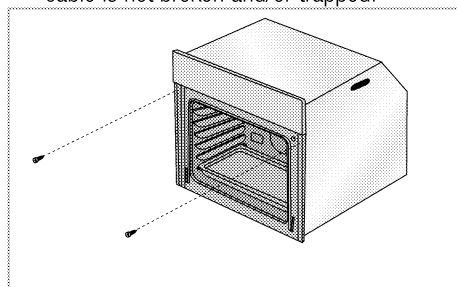
If a cable is supplied with the product:



2. For single-phase connection, connect the wires as identified below:
 - Brown/Black cable = L (Phase)
 - Blue/Grey cable = N (Neutral)
 - Green/yellow cable = (E) \equiv (Ground)

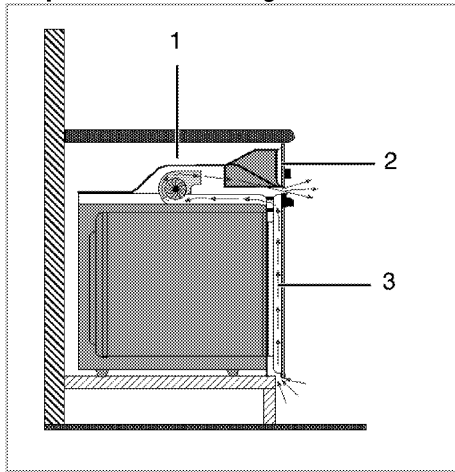
Installing the product

1. Slide the oven into the cabinet, align and secure it while making sure that the power cable is not broken and/or trapped.



Secure the oven with 2 screws as illustrated.

For products with cooling fan



- 1 Cooling fan
- 2 Control panel
- 3 Door

The built-in cooling fan cools both the built-in cabinet and the front of the product.

i Cooling fan continues to operate for about 20-30 minutes after the oven is switched off.

Final check

1. Plug in the power cable and switch on the product's fuse.
2. Check the functions.

Future Transportation

- Keep the product's original carton and transport the product in it. Follow the instructions on the carton. If you do not have the original carton, pack the product in bubble wrap or thick cardboard and tape it securely.
- To prevent the wire grill and tray inside the oven from damaging the oven door, place a strip of cardboard onto the inside of the oven door that lines up with the position of the trays. Tape the oven door to the side walls.
- Do not use the door or handle to lift or move the product.

i Do not place any objects onto the product and move it in upright position.

i Check the general appearance of your product for any damages that might have occurred during transportation.

4 Preparation

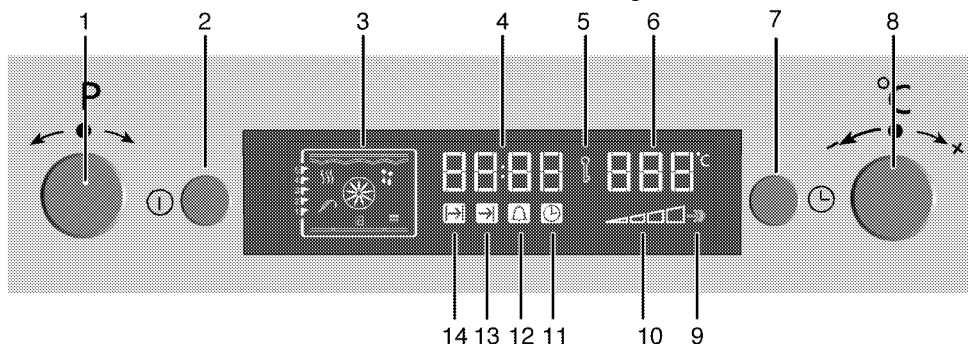
Tips for saving energy

The following information will help you to use your appliance in an ecological way, and to save energy:

- Use dark coloured or enamel coated cookware in the oven since the heat transmission will be better.
- While cooking your dishes, perform a preheating operation if it is advised in the user manual or cooking instructions.
- Do not open the door of the oven frequently during cooking.

- Try to cook more than one dish in the oven at the same time whenever possible. You can cook by placing two cooking vessels onto the wire shelf.
- Cook more than one dish one after another. The oven will already be hot.
- You can save energy by switching off your oven a few minutes before the end of the cooking time. Do not open the oven door.
- Defrost frozen dishes before cooking them.

Initial use Time setting



- 1 Program selection button
 - 2 ON/OFF button
 - 3 Function display
 - 4 Current time indicator field
 - 5 Keylock symbol
 - 6 Temperature indicator field
 - 7 Menu button
 - 8 Temperature-Time Adjustment button
 - 9 Booster symbol (rapid pre-heating)
 - 10 Oven Inner Temperature symbol
 - 11 Clock symbol
 - 12 Alarm symbol
 - 13 End of Cooking Time symbol
 - 14 Cooking Time symbol
1. Twist the Temperature-Time Adjustment knob (8) to „+“ or „-“ slightly to set the time when the oven is operated for the first time.

i If the current time is not set, time setting will start increasing up from 12:00. Clock icon '11' will remain lit to indicate that the current time has not been set. This icon will disappear once the time is set.

Adjust the time afterwards

1. Press Menu button (7) with short intervals until Clock symbol (11) is activated.
2. Twist the Temperature-Time Adjustment knob (8) to „+“ or „-“ slightly to set the current time.

i Current time settings are cancelled in case of power failure. It needs to be readjusted. Current time can not be changed when any of the oven functions is in use.

First cleaning of the appliance



The surface might get damaged by some detergents or cleaning materials.

Do not use aggressive detergents, cleaning powders/creams or any sharp objects during cleaning.

Do not use harsh abrasive cleaners or sharp metal scrapers to clean the oven door glass since they can scratch the surface, which may result in shattering of the glass.

1. Remove all packaging materials.
2. Wipe the surfaces of the appliance with a damp cloth or sponge and dry with a cloth.

Initial heating

Heat up the product for about 30 minutes and then switch it off. Thus, any production residues or layers will be burnt off and removed.



WARNING

Hot surfaces cause burns!

Product may be hot when it is in use. Never touch the hot burners, inner sections of the oven, heaters and etc. Keep children away. Always use heat resistant oven gloves when putting in or removing dishes into/from the hot oven.

Electric oven

1. Take all baking trays and the wire grill out of the oven.
2. Close the oven door.
3. Select Static position.
 1. Select the highest oven power; See *How to operate the electric oven, page 18*.
 2. Operate the oven for about 30 minutes.
 3. Turn off your oven; See *How to operate the electric oven, page 18*

Grill oven

1. Take all baking trays and the wire grill out of the oven.
2. Close the oven door.
3. Select the highest grill power; see *How to operate the grill, page 26*.
4. Operate the grill about 30 minutes.
5. Turn off your grill; see *How to operate the grill, page 26*



Smoke and smell may emit for a couple of hours during the initial operation. This is quite normal. Ensure that the room is well ventilated to remove the smoke and smell. Avoid directly inhaling the smoke and the smell that emits.

5 How to operate the oven

General information on baking, roasting and grilling



WARNING

Hot surfaces cause burns!

Product may be hot when it is in use. Never touch the hot burners, inner sections of the oven, heaters and etc. Keep children away. Always use heat resistant oven gloves when putting in or removing dishes into/from the hot oven.



DANGER:

Be careful when opening the oven door as steam may escape. Exiting steam can scald your hands, face and/or eyes.

Tips for baking

- Use non-sticky coated appropriate metal plates or aluminum vessels or heat-resistant silicone moulds.
- Make best use of the space on the rack.
- Place the baking mould in the middle of the shelf.
- Select the correct rack position before turning the oven or grill on. Do not change the rack position when the oven is hot.
- Keep the oven door closed.

Tips for roasting

- Treating whole chicken, turkey and large piece of meat with dressings such as lemon juice and black pepper before cooking will increase the cooking performance.
- It takes about 15 to 30 minutes longer to roast meat with bones when compared to roasting the same size of meat without bones.
- Each centimeter of meat thickness requires approximately 4 to 5 minutes of cooking time.
- Let meat rest in the oven for about 10 minutes after the cooking time is over. The juice is better distributed all over the roast and does not run out when the meat is cut.

- Fish should be placed on the middle or lower rack in a heat-resistant plate.

Tips for grilling

When meat, fish and poultry are grilled, they quickly get brown, have a nice crust and do not get dry. Flat pieces, meat skewers and sausages are particularly suited for grilling as are vegetables with high water content such as tomatoes and onions.

- Distribute the pieces to be grilled on the wire shelf or in the baking tray with wire shelf in such a way that the space covered does not exceed the size of the heater.
- Slide the wire shelf or baking tray with grill into the desired level in the oven. If you are grilling on the wire shelf, slide the baking tray to the lower rack to collect fats. Add some water in the tray for easy cleaning.



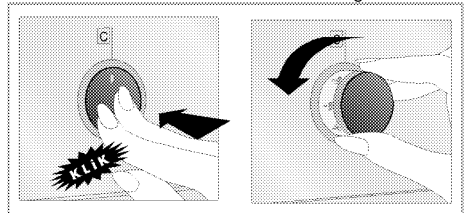
Foods that are not suitable for grilling carry the risk of fire. Only grill food which is suitable for intensive grilling heat.

Do not place the food too far in the back of the grill. This is the hottest area and fatty food may catch fire.

How to operate the electric oven

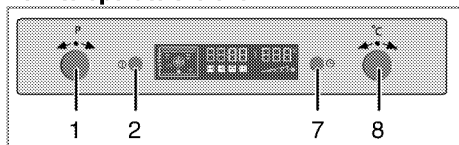
Your oven is equipped with pop-out knobs that protrude when you press them.

1. Press inwards to protrude the knob and then turn it to make the desired setting.



2. When the cooking process is finished, turn the knob to off (upper) position and press it inwards.

How to operate the oven



- 1 Program selection knob
 - 2 ON/OFF button
 - 7 Menu button
 - 8 Temperature-time increase/decrease button
1. Press On/Off button (2) for about 2 second to switch on the oven.

Select temperature and operating mode

Once the oven is switched on, blank function display appears.



When the display is in this mode, cooking time, end of cooking time and Booster (quick heating) function can be set.

i Oven will switch off automatically within 10 seconds if no oven setting is made on this screen.

1. Twist the Program Selection knob (1) slightly to right or left to set the desired operating mode.
2. Twist the Temperature-Time Adjustment knob (8) to „+“ or „-“ slightly to set the desired temperature.

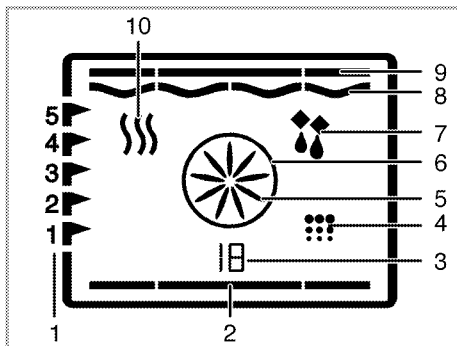
» Your oven will readily start operating in the desired function and will increase the inner temperature to the set temperature.

» Active heaters and recommended tray position appears in the Function display.

» If the temperature is not set before, recommended temperature for the set function will be displayed in temperature screen.

Function table:

Function table indicates the functions that can be used in the oven and their respective maximum and minimum temperatures.



- 1 Shelf positions
- 2 Bottom heater
- 3 Function number
- 4 Cleaning position
- 5 Boost fan
- 6 Boost heater
- 7 Operating with fan position
- 8 Grill heater
- 9 Top heater
- 10 Keep warm

i Functions vary depending on the product model!

Function table	Recommended temperature (°C)	Temperature range (°C)
Static	200	40-280
Static + Fan	175	40-280
Fan heating	180	40-280
3 D	205	40-280
Pizza	210	40-280
Full Grill&Fan	200	40-280
Full grill	280	40-280
Grill	280	40-280
Eco Fan Heating	180	160-220
Bottom heating	180	40-220
Warm keeping	60	40-100

i Maximum adjustable cooking time in modes except warm keeping is limited with 6 hours due to safety reasons. Program will be cancelled in case of power failure. You must reprogram the oven.

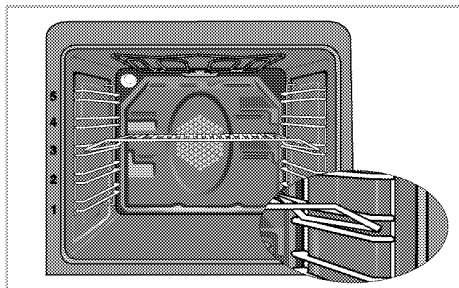
i While making any adjustment, related symbols on the clock will flash.

i Current time cannot be set while the oven is operating in any function, or if semi-automatic or full automatic programming is made on the oven.

i Even if the oven is off, oven lamp lights up when the oven door is opened.

Switching off the electric oven

Press On/Off key (2) for about 2 second to switch off the oven.



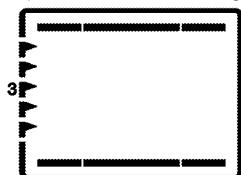
Rack positions (For models with wire shelf)

It is important to place the wire shelf onto the side rack correctly. Wire shelf must be inserted between the side racks as illustrated in the figure. Do not let the wire shelf stand against the rear wall of the oven. Slide your wire shelf to the front section of the rack and settle it with the help of the door in order to obtain a good grill performance.

Operating modes

The order of operating modes shown here may be different from the arrangement on your product.

1. Top and bottom heating



Food is heated simultaneously from the top and bottom. For example, it is suitable for cakes, pastries, or cakes and casseroles in baking moulds. Cook with one tray only. Suitable rack position will be displayed on screen.

2. Fan supported bottom/top heating



Hot air heated by the bottom and top heaters is evenly distributed throughout the oven rapidly by means of the fan. Cook with one tray.

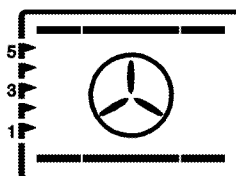
3. Fan Heating



Warm air heated by the rear heater is evenly distributed throughout the oven rapidly by means of the fan. It is suitable for cooking your meals in different rack levels and preheating is not required in most cases. Suitable for cooking with multi trays.

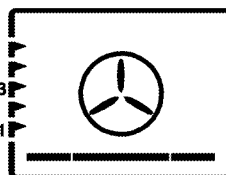
i When the oven door is opened, the fan motor will not run in order to keep the hot air inside.

4. "3D" function



Top heating, bottom heating and fan assisted heating are in operation. Food is cooked evenly and quickly all around. Cook with one tray only.

5. Pizza function



The bottom heating and fan assisted heating are in operation. Suitable for baking pizza.

6. Full grill+Fan



Hot air heated by the full grill is distributed very fast in the oven by means of the fan. It is suitable for grilling large amount of meat.

- Put big or medium-sized portions in correct rack position under the grill heater for grilling.
- Set the temperature to maximum level.
- Turn the food after half of the grilling time.

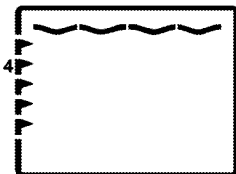
7. Full grill



Large grill at the ceiling of the oven is in operation. It is suitable for grilling large amount of meat.

- Put big or medium-sized portions in correct rack position under the grill heater for grilling.
- Set the temperature to maximum level.
- Turn the food after half of the grilling time.

8. Grill

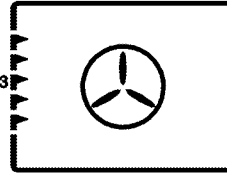


Small grill at the ceiling of the oven is in operation. Suitable for grilling and gratin dishes.

- Put small or medium-sized portions in correct shelf position under the grill heater for grilling.
- Set the temperature to maximum level.

- Turn the food after half of the grilling time.

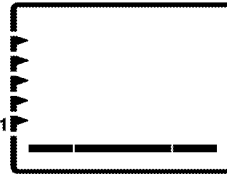
9. Eco Fan Heating



To save power, you can use this function instead of the cooking operations that you would perform by using Fan Heating at 160-220°C temperature range. But, the cooking time will increase a little bit.

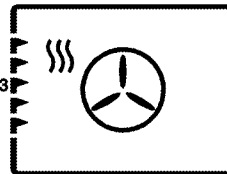
Cooking times related to this function are indicated in 'Eco-fan cooking' table.

10. Bottom heating



Only bottom heating is in operation. It is suitable for pizza and for subsequent browning of food from the bottom.

11. Keep warm



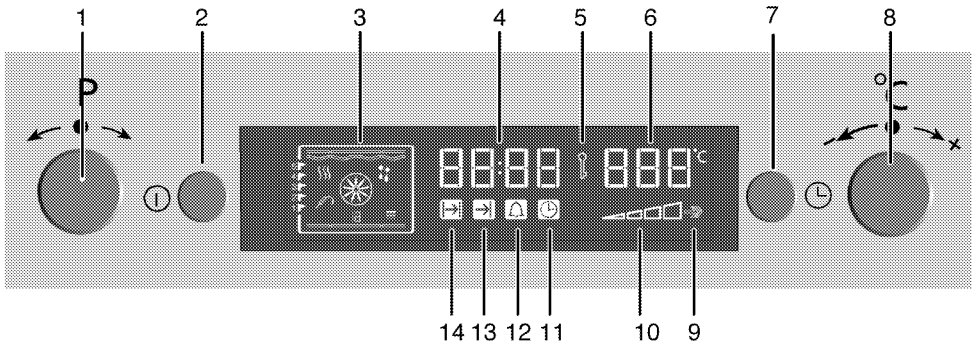
Used for keeping food at a temperature ready for serving for a long period of time.

12. Operating with fan



The oven is not heated. Only the fan (in the rear wall) is in operation. Suitable for thawing frozen granular food slowly at room temperature and cooling down the cooked food.

How to operate the oven control unit



- 1 Program selection button
- 2 ON/OFF button
- 3 Function display
- 4 Current time indicator field
- 5 Keylock symbol
- 6 Temperature indicator field
- 7 Menu button
- 8 Temperature-Time Adjustment button
- 9 Booster symbol (rapid pre-heating)
- 10 Oven Inner Temperature symbol
- 11 Clock symbol
- 12 Alarm symbol
- 13 End of Cooking Time symbol
- 14 Cooking Time symbol

Enable semi-automatic operation

In this operation mode, you may adjust the time period during which the oven will operate (cook time).

1. Press On/Off button (2) to switch on the oven.
2. Twist the Program Selection knob (1) slightly to right or left to set the desired operating mode.
3. When the oven is switched on, press Menu button (7) with short intervals to activate the Cooking Time symbol (14).
4. Twist the Temperature-Time Adjustment knob (8) to "+" or "-" slightly to set the cooking time.
 - » Cooking time symbol (14) remains lit after setting the cooking time.
5. Put your dish into the oven.

6. Twist the Temperature-Time Adjustment knob (8) to "+" or "-" slightly to set the cooking temperature.
 - » The oven will be heated up to the set temperature and will maintain this temperature until the end of the cooking time you selected. The oven lamp is lit during the cooking process.



All segments of the inner oven temperature symbol (10) will turn on when your oven reaches the set temperature.

7. After the cooking process is completed, "End" appears on the display and the alarm sounds.
8. Press Menu (7) or On/Off (2) button to silence the alarm.
 - » Alarm is silenced, oven is switched off automatically and the current time is displayed.

Switch on fully automatic operation

In this operation mode you can adjust cooking time and end of cooking time.

1. Press On/Off button (2) to switch on the oven.
2. Twist the Program Selection knob (1) slightly to right or left to set the desired operating mode.
3. Press Menu button (7) with short intervals to activate the Cooking Time symbol (14).
4. Twist the Temperature-Time Adjustment knob (8) to "+" or "-" slightly to set the cooking time.
 - » Cooking time symbol (14) remains lit after setting the cooking time.
 - » Cooking time symbol (14) remains lit after setting the cooking time.

5. Press Menu button (7) with short intervals to activate the End of Cooking Time symbol (13).
6. Twist the Temperature-Time Adjustment knob (8) to "+" or "-" slightly to set the end of cooking time.
 - » After setting the end of cooking time, End of Cooking Time symbol (13) remains lit.
7. Put your dish into the oven.
8. Twist the Temperature-Time Adjustment knob (8) to "+" or "-" slightly to set the cooking temperature.
 - » Oven timer automatically calculates the startup time for cooking by deducting the cooking time from the end of cooking time you have set. Selected operation mode is activated when the startup time of cooking has come and the oven is heated up to the set temperature. It maintains this temperature until the end of cooking time. The oven lamp is lit during the cooking process.



All segments of the inner oven temperature symbol (10) will turn on when your oven reaches the set temperature.

9. After the cooking process is completed, "End" appears on the display and the alarm sounds.
10. Press Menu (7) or On/Off (2) button to silence the alarm.
 - » Alarm is silenced, oven is switched off automatically and the current time is displayed. Oven lamp turns off.



If you want to cancel the semi-automatic or automatic programming after you have set them, you need to reset the cooking time.

Setting the booster (Quick Pre-heating)

Use Booster (Rapid Pre-heating) function to make the oven reach the desired temperature faster.



Booster can be set only when the oven is operating. Booster cannot be selected in defrosting and cleaning positions. Booster settings will be cancelled in case of power outage.

1. Press Menu button (7) with short intervals until Booster (Quick pre-heating) symbol (9) is activated.
 - » "OFF" will appear on the display.

2. Twist the Temperature-Time Adjustment knob (8) to "+" slightly to activate the Booster function.
 - » Once the Booster is activated, "On" will appear on the display and the Booster symbol will remain lit.
 - » Booster symbol disappears as soon as the oven reaches the desired temperature and oven resumes operating in the function it was in before the Booster function.
3. To deactivate the Booster function, press Menu button (7) with short intervals until Booster symbol (9) is activated.
 - » "On" will appear on the display.
4. Twist the Temperature-Time Adjustment knob (8) to "-" slightly to deactivate the Booster function.
 - » "OFF" will appear on the display.

Using the oven clock

Using the keylock

Activating the keylock

You can prevent oven from being used by activating the Keylock function.



Keylock can be used either when the oven is operating or not. Oven can be switched off by keeping the On/Off button (2) pressed for 2 seconds even when the keylock is activated while the oven is operating.

1. Press the key (7) with short intervals until the Keylock symbol (5) is activated.
 - » "OFF" will appear on the display.
2. Turn the knob (8) to "+" slightly to activate the keylock.
 - » Once the keylock is activated, "On" appears on the display and the Keylock symbol remains lit.

Deactivate the keylock

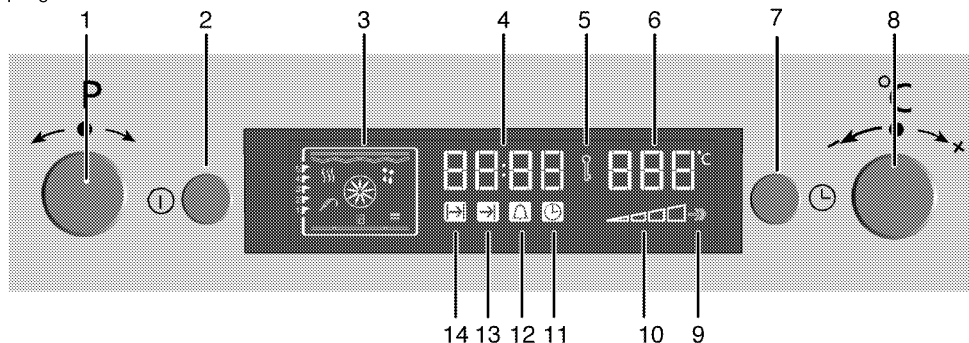
1. Press the key (7) to activate the Keylock symbol (5).
 - » "On" will appear on the display.
2. Turn the knob (8) to "-" slightly to deactivate the keylock.
 - » Once the keylock is deactivated, "OFF" appears on the display and Keylock symbol (5) disappears.



Oven keys are not functional when the Keylock function is activated. Keylock settings will not be cancelled in case of power outage.

Using the clock as an alarm

You can use the clock of the product for any warning or reminder apart from the cooking programme.



- 1 Program selection button
- 2 ON/OFF button
- 3 Function display
- 4 Current time indicator field
- 5 Keylock symbol
- 6 Temperature indicator field
- 7 Menu button
- 8 Temperature-Time Adjustment knob
- 9 Booster symbol (rapid pre-heating)
- 10 Oven Inner Temperature symbol
- 11 Clock symbol
- 12 Alarm symbol
- 13 End of Cooking Time symbol
- 14 Cooking Time symbol

Using the clock as an alarm



The alarm clock has no influence on the functions of the oven. It is only used as a warning. For example, this is useful when you want to turn food in the oven at a certain point of time. Alarm clock will give a signal once the time you set is over.



Maximum alarm time can be 23 hours and 59 minutes.

The alarm clock has no influence on the functions of the oven. It is only used as a warning. For example, this is useful when you want to turn food in the oven at a certain point of time. Alarm clock will give a signal once the time you set is over.



Alarm clock can be used either when the oven is operating or not.

To set the alarm

1. Press Menu button (7) with short intervals until Alarm symbol (12) is activated.
2. Twist the Temperature-Time Adjustment knob (8) to „+“ or „-“ slightly to set the alarm time.
 - » Alarm symbol remains lit after setting the alarm time.
3. After the alarm time is finished, Alarm symbol will start flashing and an alarm signal is heard.
4. Press any key to stop the alarm.

If you want to cancel the alarm:

1. Press Menu button (7) with short intervals until Alarm symbol (12) is activated.
2. Twist Temperature-Time Adjustment knob (8) to „-“ slightly until "00:00" appears on the display.

Cooking times table



The timings in this chart are meant as a guide. Timings may vary due to temperature of food, thickness, type and your own preference of cooking.

Baking and roasting



1st rack of the oven is the **bottom** rack.

Dish	Cooking level number		Rack position	Temperature (°C)	Cooking time (approx. in min.)
Cakes in tray*	One level		3	175	25 ... 30
Cakes in mould*	One level		2	180	40 ... 50
Cakes in cooking paper*	One level		3	175	25 ... 30
	2 levels		1 - 5	175	30 ... 40
	3 levels		1 - 3 - 5	180	45 ... 55
Sponge cake*	One level		3	200	5 ... 10
	2 levels		1 - 5	175	20 ... 30
Cookies*	One level		3	175	25 ... 30
	2 levels		1 - 5	170 ... 190	30 ... 40
	3 levels		1 - 3 - 5	175	35 ... 45
Dough pastry*	One level		2	200	30 ... 40
	2 levels		1 - 5	200	45 ... 55
	3 levels		1 - 3 - 5	200	55 ... 65
Rich pastry*	One level		2	200	25 ... 35
	2 levels		1 - 5	200	35 ... 45
	3 levels		1 - 3 - 5	190	45 ... 55
Leaven*	One level		2	200	35 ... 45
	2 levels		1 - 3	190	35 ... 45
Lasagna*	One level		2 - 3	200	30 ... 40
Pizza*	One level		2	200 ... 220	15 ... 20
	One level		3	200	10 ... 15
Beef steak (whole) / Roast	One level		3	25 min. 250/max, then 180 ... 190	100 ... 120
Leg of Lamb (casserole)	One level		3	25 min. 250/max, then 190	70 ... 90
	One level		3	25 min. 250/max, then 190	60 ... 80
Roasted chicken	One level		2	15 min. 250/max, then 180 ... 190	55 ... 65
	One level		2	15 min. 250/max, then 180 ... 190	55 ... 65
Turkey (5.5 kg)	One level		1	25 min. 250/max, then 180 ... 190	150 ... 210
	One level		1	25 min. 250/max, then 180 ... 190	150 ... 210
Fish	One level		3	200	20 ... 30
	One level		3	200	20 ... 30

When cooking with 2 trays at the same time, place the deeper tray on the upper rack and the other one on the lower rack.

* It is suggested to perform preheating for all foods.

(**) In a cooking that requires preheating, preheat at the beginning of cooking until the oven temperature symbol (8) attains the last level.

Eco Fan Heating



Do not change the cooking temperature after cooking starts in Eco Fan Heating mode.



Do not open the door during cooking in the Eco Fan Heating mode.

Dish	Cooking level number		Rack position	Temperature (°C)	Cooking time (approx. in min.)
Cakes in cooking paper	One level		3	200	35 ... 40
Cookie	One level		3	200	30 ... 35
Dough pastry	One level		3	200	40 ... 45
Rich pastry	One level		3	200	40 ... 45

Tips for baking cake

- If the cake is too dry, increase the temperature by 10°C and decrease the cooking time.
- If the cake is wet, use less liquid or lower the temperature by 10°C.
- If the cake is too dark on top, place it on a lower rack, lower the temperature and increase the cooking time.
- If cooked well on the inside but sticky on the outside use less liquid, lower the temperature and increase the cooking time.

Tips for baking pastry

- If the pastry is too dry, increase the temperature by 10°C and decrease the cooking time. Dampen the layers of dough with a sauce composed of milk, oil, egg and yoghurt.
- If the pastry takes too long to bake, pay care that the thickness of the pastry you have prepared does not exceed the depth of the tray.
- If the upper side of the pastry gets browned, but the lower part is not cooked, make sure that the amount of sauce you have used for the pastry is not too much at the bottom of the pastry. Try to scatter the sauce equally between the dough layers and on the top of pastry for an even browning.



Cook the pastry in accordance with the mode and temperature given in the cooking table. If the bottom part is still not browned enough, place it on one lower rack next time.

Tips for cooking vegetables

- If the vegetable dish runs out of juice and gets too dry, cook it in a pan with a lid instead of a tray. Closed vessels will preserve the juice of the dish.
- If a vegetable dish does not get cooked, boil the vegetables beforehand or prepare them like canned food and put in the oven.

How to operate the grill



WARNING

Close oven door during grilling.
Hot surfaces may cause burns!

Switching on the grill

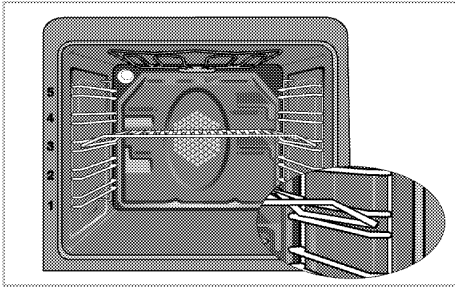
1. Press On/Off key (2) for about 2 second to switch on the oven.
2. Twist the Program Selection knob (1) slightly to right or left to set the grill function.
3. Twist the Temperature-Time Adjustment knob (8) to "+" or "-" slightly to set the desired temperature.

Switching off the grill

1. Press On/Off key (2) for about 2 second to switch off the oven.

Rack positions

Grill performance will decrease if the wire grill stands against rear part of the oven. Slide your wire grill to the front section of the rack and settle it with the help of the door in order to obtain the best grill performance.



Foods that are not suitable for grilling carry the risk of fire. Only grill food which is suitable for intensive grilling heat.

Do not place the food too far in the back of the grill. This is the hottest area and fatty food may catch fire.

Cooking times table for grilling

Grilling with electric grill

Food	Insertion level	Grilling time (approx.)
Fish	4..5	20...25 min. [#]
Sliced chicken	4..5	25...35 min.
Lamb chops	4..5	20...25 min.
Roast beef	4..5	25...30 min. [#]
Veal chops	4..5	25...30 min. [#]
Toast bread	4	1...2 min.

[#] depending on thickness

6 Maintenance and care

General information

Service life of the product will extend and the possibility of problems will decrease if the product is cleaned at regular intervals.



DANGER:

Disconnect the product from mains supply before starting maintenance and cleaning works.
There is the risk of electric shock!



DANGER:

Allow the product to cool down before you clean it.
Hot surfaces may cause burns!

- Clean the product thoroughly after each use. In this way it will be possible to remove cooking residues more easily, thus avoiding these from burning the next time the appliance is used.
- No special cleaning agents are required for cleaning the product. Use warm water with washing liquid, a soft cloth or sponge to clean the product and wipe it with a dry cloth.
- Always ensure any excess liquid is thoroughly wiped off after cleaning and any spillage is immediately wiped dry.
- Do not use cleaning agents that contain acid or chloride to clean the stainless or inox surfaces and the handle. Use a soft cloth with a liquid detergent (not abrasive) to wipe those parts clean, paying attention to sweep in one direction.



The surface might get damaged by some detergents or cleaning materials.
Do not use aggressive detergents, cleaning powders/creams or any sharp objects during cleaning.
Do not use harsh abrasive cleaners or sharp metal scrapers to clean the oven door glass since they can scratch the surface, which may result in shattering of the glass.



Do not use steam cleaners to clean the appliance as this may cause an electric shock.

Cleaning the control panel

Clean the control panel and knobs with a damp cloth and wipe them dry.

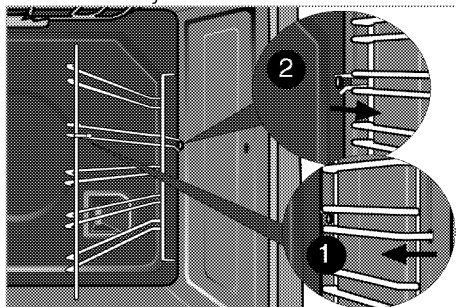


Do not remove the control buttons/knobs to clean the control panel.
Control panel may get damaged!

Cleaning the oven

To clean the side wall

1. Remove the front section of the side rack by pulling it in the opposite direction of the side wall.
2. Remove the side rack completely by pulling it towards you.



Catalytic walls

Side walls or just back wall of oven interior may be covered with catalytic enamel.

The catalytic walls of the oven must not be cleaned. The porous surface of the walls is self-cleaning by absorbing and converting spitting fat (steam and carbon dioxide).

Clean oven door

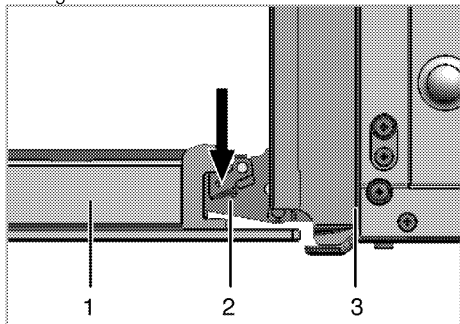
To clean the oven door, use warm water with washing liquid, a soft cloth or sponge to clean the product and wipe it with a dry cloth.



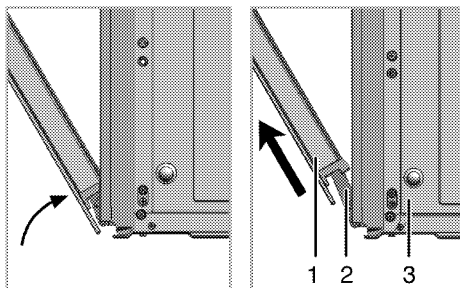
Don't use any harsh abrasive cleaners or sharp metal scrapers for cleaning the oven door. They could scratch the surface and destroy the glass.

Removing the oven door

1. Open the front door (1).
2. Open the clips at the hinge housing (2) on the right and left hand sides of the front door by pressing them down as illustrated in the figure.



- 1 Front door
- 2 Hinge
- 3 Oven



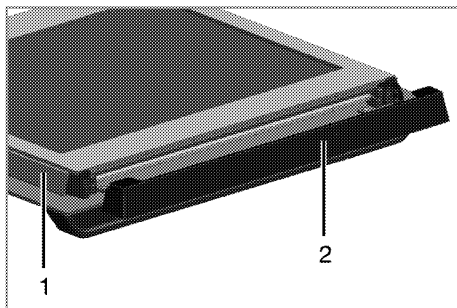
3. Move the front door to half-way.
4. Remove the front door by pulling it upwards to release it from the right and left hinges.



Steps carried out during removing process should be performed in reverse order to install the door. Do not forget to close the clips at the hinge housing when reinstalling the door.

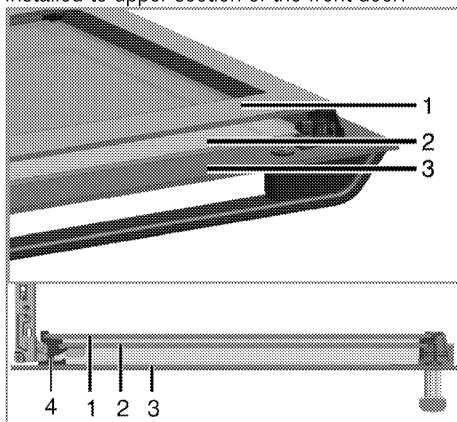
Removing the door inner glass

The inner glass panel of the oven door can be removed for cleaning. Open the oven door.



- 1 Frame
- 2 Plastic part

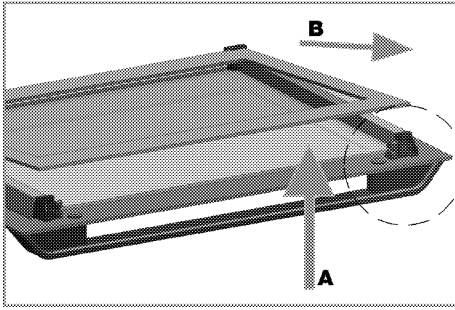
Pull towards yourself and remove the plastic part installed to upper section of the front door.



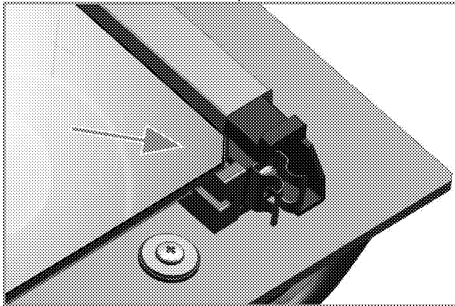
- 1 Innermost glass panel
- 2 Inner glass panel
- 3 Outer glass panel
- 4 Plastic glass panel slot-Lower

As illustrated in figure, raise the innermost glass panel (1) slightly in direction A and pull it out in direction B.

Repeat the same procedure to remove the inner glass panel (2).



The first step to regroup the door is reinstalling inner glass panel (2).
As illustrated in figure, place the chamfered corner of the glass panel so that it will rest in the chamfered corner of the plastic slot.



Inner glass panel (2) must be installed into the plastic slot close the innermost glass panel (1).
When installing the innermost glass panel (1), make sure that the printed side of the panel faces towards the inner glass panel.
It is important to seat lower corner of inner glass panel into the lower plastic slot.
Push the plastic part towards the frame until you hear a "click".

Replacing the oven lamp



DANGER:

Before replacing the oven lamp, make sure that the product is disconnected from mains and cooled down in order to avoid the risk of an electrical shock.
Hot surfaces may cause burns!



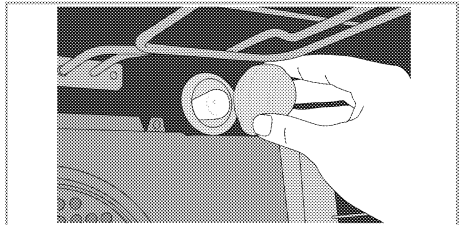
The oven lamp is a special electric light bulb that can resist up to 300 °C. See *Technical specifications, page 10* for details. Oven lamps can be obtained from Authorised Service Agents.



Position of lamp might vary from the figure.

If your oven is equipped with a round lamp:

1. Disconnect the product from mains.
2. Turn the glass cover counter clockwise to remove it.



3. Remove the oven lamp by turning it counter clockwise and replace it with the new one.
4. Install the glass cover.

7 Troubleshooting

Oven emits steam when it is in use.

- It is normal that steam escapes during operation. >>> *This is not a fault.*

Product emits metal noises while heating and cooling.

- When the metal parts are heated, they may expand and cause noise. >>> *This is not a fault.*

Product does not operate.

- The mains fuse is defective or has tripped. >>> *Check fuses in the fuse box. If necessary, replace or reset them.*
- Product is not plugged into the (grounded) socket. >>> *Check the plug connection.*
- Buttons/knobs/keys on the control panel do not function. >>> *Keylock may be enabled. Please disable it. (See. Using the keylock, page 23)*

Oven light does not work.

- Oven lamp is defective. >>> *Replace oven lamp.*
- Power is cut. >>> *Check if there is power. Check the fuses in the fuse box. If necessary, replace or reset the fuses.*

Oven does not heat.

- Function and/or Temperature are not set. >>> *Set the function and the temperature with the Function and/or Temperature knob/key.*
- In models equipped with a timer, the timer is not adjusted. >>> *Adjust the time.* (In products with microwave oven, timer controls only microwave oven.)
- Power is cut. >>> *Check if there is power. Check the fuses in the fuse box. If necessary, replace or reset the fuses.*

(In models with timer) Clock display is blinking or clock symbol is on.

- A previous power outage has occurred. >>> *Adjust the time / Switch of the product and switch it on again.*



Consult the Authorised Service Agent or the dealer where you have purchased the product if you can not remedy the trouble although you have implemented the instructions in this section. Never attempt to repair a defective product yourself.

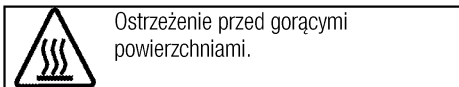
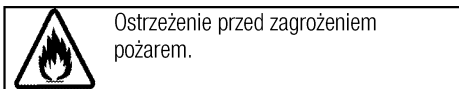
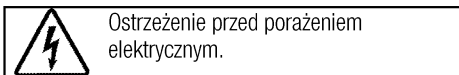
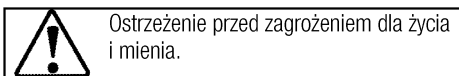
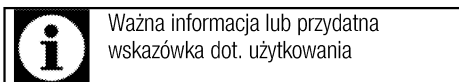
Prosimy najpierw przeczytać tę instrukcję obsługi!

Drogi Kliencie,

Dziękujemy za wybór wyrobu firmy Beko. Mamy nadzieję, że wyrób ten, wyprodukowany zgodnie z najwyższymi wymogami jakościowymi i według najnowszej technologii, służyć Ci będzie jak najlepiej. Prosimy zatem przed użyciem tego wyrobu uważnie przeczytać całą tę instrukcję obsługi i wszystkie inne dostarczone z nim dokumenty i zachować je do wglądu w przyszłości. Jeśli przekażesz ten wyrób komuś innemu, oddajcie mu także tę instrukcję. Przestrzegaj wszelkich ostrzeżeń i informacji z tej instrukcji. Pamiętaj, że niniejsza instrukcja użytkowania może odnosić się także do kilku innych modeli. Różnice pomiędzy modelami wskazano w niniejszej instrukcji.

Objaśnienie symboli

W niniejszej instrukcji użytkowania stosuje się następujące symbole:



*Niniejsze urządzenie jest zgodne z następującymi
Dyrektywami Unii Europejskiej:
- 2006/95/WE LVD (Niskie Napięcia)
- 2004/108/WE EMC (Kompatybilność Elektromagnetyczna)*
Importer: Beko S.A.
ul. Cybernetyki 7, 02-677 Warszawa



1 Ważne instrukcje i ostrzeżenia **dotyczące bezpieczeństwa i ochrony** **środowiska** **4**

Opólne zasady bezpieczeñstwa	4
Bezpieczeństwo elektryczne	4
Zasady zachowania bezpieczeñstwa przy użytkowaniu tego wyrobu	5
Zamierzone przeznaczenie	6
Bezpieczeństwo dzieci	7
Stare urządzenia	7
Pozbywanie się materiałów opakowaniowych ...	8

2 Informacje ogólne **9**

Opis urządzenia	9
Zawartość opakowania	10
Dane techniczne	11

3 Instalacja **12**

Przed zainstalowaniem	12
Instalacja i przyłączenie	14
Przyszły transport	16

4 Przygotowanie **17**

Jak oszczędzać energię	17
Pierwszy raz	17
Początkowe ustawianie czasu	17
Pierwsze czyszczenie	18

Podgrzewanie wstępne	18
----------------------------	----

5 Jak obsługiwać piekarnik **19**

Opólne informacje o pieczeniu ciast i mięs oraz o grillowaniu.	19
Jak obsługiwać piekarnik elektryczny	19
Tryby pracy	21
Jak obsługiwać urządzenia sterujące piekarnika	23
Korzystanie z zegara piekarnika	25
Blokada przycisków	25
Zegar jako programator alarmu	25
Tabela czasów pieczenia	26
Jak obsługiwać grill	28
Tabela czasów pieczenia przy grillowaniu	28

6 Czyszczenie i konserwacja **29**

Informacje ogólne	29
Czyszczenie panelu sterowania	29
Czyszczenie piekarnika	29
Przenoszenie drzwiczek piekarnika	29
Wymywanie szyby w drzwiczkach	30
Wymiana lampki w piekarniku	31

7 Rozwiązywanie problemów **32**

1 Ważne instrukcje i ostrzeżenia dotyczące bezpieczeństwa i ochrony środowiska

W rozdziale tym zawarto instrukcje zachowania bezpieczeństwa, które pomogą uniknąć zagrożenia obrażeniem lub szkodą.

Nieprzestrzeganie tych instrukcji spowoduje unieważnienie wszelkich gwarancji.

Ogólne zasady bezpieczeństwa

- Urządzenie może być używane przez dzieci w wieku 8 lat i starsze oraz osoby o ograniczonych zdolnościach fizycznych, czuciowych lub umysłowych, lub nieumiejętne i niedoświadczone, jeśli są pod nadzorem lub poinstruowano je w sprawach użytkowania tego urządzenia w sposób bezpieczny i rozumieją związane z tym zagrożenia.

Dzieci nie powinny bawić się tym urządzeniem. Dzieciom bez nadzoru nie należy powierzać czyszczenia ani konserwacji.

- Instalacje i naprawy musi zawsze wykonywać autoryzowany pracownik serwisowy. Producent nie odpowiada za szkody wynikłe z instalacji i napraw wykonywanych przez osoby nieupoważnione i może z tego powodu unieważnić gwarancję.

Przed instalacją uważnie przeczytaj tę instrukcję.

- Nie wolno uruchamiać tego wyrobu, jeśli jest niesprawny lub widocznie uszkodzony.
- Po każdym użyciu sprawdź, czy wyłączone zostały pokrętła funkcjonalne.

Bezpieczeństwo elektryczne

- W razie awarii tego urządzenia nie należy go używać do czasu naprawy przez autoryzowany serwis. Grozi to porażeniem elektrycznym!
- Piekarnik ten można podłączyć tylko do gniazdka z uziemieniem o napięciu i z zabezpieczeniem jakie podano w "Danych technicznych". Zleć wykonanie instalacji uziemienia wykwalifikowanemu elektrykowi, niezależnie od tego, czy używasz transformatora do zasilania. Firma nasza nie ponosi odpowiedzialności za jakiegokolwiek problemy wynikające z braku uziemienia tego piekarnika zgodnie z miejscowymi przepisami.
- Nie wolno myć piekarnika rozlewając nań wodę! Grozi to porażeniem elektrycznym!

- Piekarnik ten trzeba odłączyć od zasilania na czas instalacji, konserwacji, czyszczenia i napraw.
- Aby uniknąć zagrożenie w przypadku uszkodzenia przewodu zasilającego, musi go wymienić producent, punkt serwisowy lub osoba o podobnych kwalifikacjach.
- Piekarnik należy tak zainstalować, aby można było go całkowicie odłączyć od sieci. Odłączenie to należy zapewnić albo poprzez wyjęcie wtyczki z gniazdka, albo wyłączenie wyłącznika, w który wyposażona jest domowa instalacja elektryczna, zgodnie z przepisami budowlanymi.
- Tylna powierzchnia piekarnika nagrzewa się w trakcie jego pracy. Upewnij się, że przyłączy elektryczne nie dotyka tej tylnej powierzchni; w przeciwnym razie może ono ulec uszkodzeniu.
- Przewód zasilający nie może się zakleszczyć między drzwiczkami i ramą piekarnika, a także nie można go prowadzić przez gorące powierzchnie. W przeciwnym wypadku izolacja przewodów może się topić i w rezultacie może nastąpić zwarcie.
- Wszelkie prace na układach i urządzeniach elektrycznych wykonywać może tylko upoważniony i wykwalifikowany personel.
- W razie jakiegokolwiek awarii wyłącz wyrób i odłącz go od sieci zasilającej. W tym celu wyłącz bezpiecznik zabezpieczający instalację domową.
- Upewnij się, że prąd bezpiecznika jest odpowiedni dla tego wyrobu.

Zasady zachowania bezpieczeństwa przy użytkowaniu tego wyrobu

- Podczas użytkowania urządzenie i jego części są gorące. Nie dotykać nagrzaných części. Dzieci poniżej 8 lat mogą przebywać w pobliżu urządzenia wyłącznie pod nadzorem osób dorosłych.
- Nigdy nie wolno używać tego wyrobu w stanie zakłócenia oceny sytuacji lub koordynacji przez konsumpcję alkoholu i/lub innych środków odmieniających świadomość.
- Zachowaj ostrożność, jeśli w potrawach stosuje się napoje alkoholowe. W wysokiej temperaturze alkohol paruje i może się zapalić po zetknięciu z gorącymi powierzchniami.
- Nie umieszczaj żadnych materiałów łatwopalnych w pobliżu tego wyrobu, ponieważ jego boki mogą bardzo się nagrzewać przy pracy.
- W trakcie użytkowania piekarnik nagrzewa się. Należy zachować ostrożność i nie dotykać

elementów grzejnych wewnątrz piekarnika.

- Należy dbać, aby żaden otwór wentylacyjny nie był zakryty.
- Nie podgrzewaj w piekarniku zamkniętych puszek ani szklanych słoików. Ciśnienie, które wytworzy się w takiej puszcze/słoiku, może je rozsadzić.
- Nie umieszczaj foremek do pieczenia, naczyń ani folii aluminiowej bezpośrednio na dnie piekarnika. Nagromadzenie ciepła mogłoby zniszczyć dno piekarnika.
- "Do czyszczenia szyby w drzwiczkach piekarnika nie należy używać szorstkich środków czyszczących ani ostrych skrobaków metalowych, ponieważ mogą one zarysować powierzchnię, co może doprowadzić do popękania szyby."
- Do czyszczenia tego urządzenia nie używaj urządzeń parowych, ponieważ może to spowodować porażenie prądem.
- Z półek korzystaj tak, jak opisano w "Jak używać elektrycznego piekarnika".
- Nie używaj tego wyrobu z wyjętą lub popękaną szybą w przednich drzwiczkach.
- Uchwyt na drzwiach piekarnika nie służy do suszenia ręczników. Przy otwartych drzwiczkach i

załączonej funkcji grillowania nie wieszaj na niej ręczników, rękawic, ani podobnych wyrobów tekstylnych.

- Do wkładania i wyjmowania potraw z gorącego piekarnika zawsze zakładaj odporne na wysokie temperatury rękawice.
- Przed wymianą lampy upewnij się, że piekarnik jest wyłączony, aby uniknąć zagrożenia porażeniem prądem elektrycznym.

Aby uniknąć zagrożenia pożarem przy użytkowaniu tej kuchenki;

- Upewnij się, że wtyczka pasuje do gniazdka i nie powoduje iskrzenia.
- Nie należy używać uszkodzonych ani uciętych przewodów, ani przedłużaczy, a tylko oryginalnego przewodu zasilającego.
- Upewnij się, że gniazdko, do którego włączona jest kuchenka jest suche.

Zamierzone przeznaczenie

- Wyrób ten przeznaczony jest do użytku domowego. Nie dopuszcza się użytkowania komercyjnego.
- Urządzenie to służy wyłącznie do pieczenia potraw. Nie wolno używać go do innych celów, na przykład do ogrzewania pomieszczeń."
- Urządzenia tego nie należy używać do podgrzewania talerzy pod grillem, suszenia ręczników, ścierek do naczyń, itp. na

uchwytach, ani do celów suszenia lub ogrzewania.

- Producent nie odpowiada za szkody spowodowane niewłaściwym użytkowaniem tego wyrobu lub obchodzeniem się z nim.
- Piekarnik można używać do rozmrażania, smażenie, pieczenia i grillowania potraw.

Bezpieczeństwo dzieci

- Dostępne części mogą się nagrzewać podczas użytkowania. Małe dzieci należy trzymać z dala od kuchenki.
- Materiały opakowaniowe mogą być niebezpieczne dla dzieci. Trzymać materiały opakowaniowe z dala od dzieci. Prosimy pozbyć się całego opakowania zgodnie z normami ochrony środowiska.
- Urządzenia elektryczne są niebezpieczne dla dzieci. W trakcie pracy tego produktu nie dopuszczać do przebywania dzieci w jego pobliżu ani do zabawy.
- Nie stawiaj na tym urządzeniu żadnych przedmiotów, po które mogłyby sięgać dzieci.
- Gdy drzwiczki są otwarte nie obciążać ich żadnymi ciężkimi przedmiotami i **nie** pozwalać dzieciom siadać na nich. Piekarnik może się przewrócić, lub mogą się uszkodzić zawiasy drzwiczek.

Stare urządzenia

Zgodność z dyrektywą WEEE i usuwanie odpadów:



Niniejszy wyrób jest zgodny z dyrektywą Parlamentu Europejskiego i Rady (2012/19/WE). Wyrób ten oznaczony jest symbolem klasyfikacji zużytych urządzeń elektrycznych i elektronicznych (WEEE).

Wyrób ten wykonano z części i materiałów wysokiej jakości, które mogą być odzyskane i użyte jako surowce wtórne. Po zakończeniu użytkowania nie należy pozbywać się go razem z innymi odpadkami domowymi. Należy przekazać go do punktu zbiórki urządzeń elektrycznych i elektronicznych na surowce wtórne. Aby dowiedzieć się, gdzie jest najbliższy taki punkt, prosimy skonsultować się z władzami lokalnymi.

Zgodność z dyrektywą RoHS:

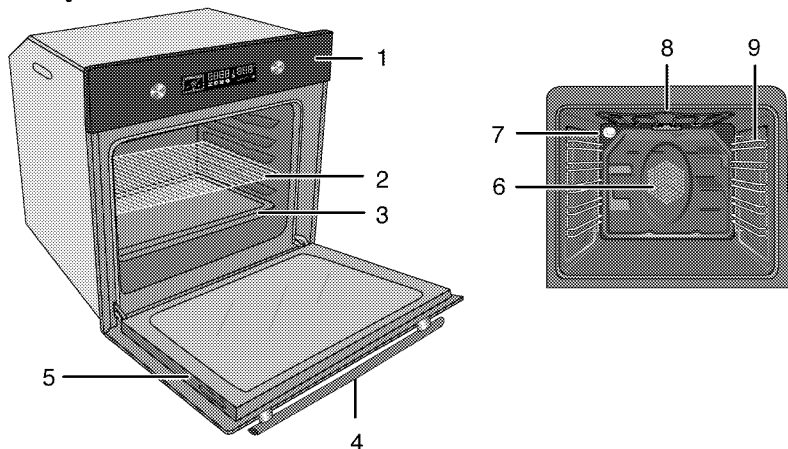
Niniejszy wyrób jest zgodny z dyrektywą Parlamentu Europejskiego i Rady RoHS (Ograniczenie użycia substancji niebezpiecznych) (2011/65/WE). Nie zawiera szkodliwych i zakazanych materiałów, podanych w tej dyrektywie.

Pozbywanie się materiałów opakowaniowych

- Materiały opakowaniowe są niebezpieczne dla dzieci. Należy trzymać je w bezpiecznym miejscu, niedostępne dla dzieci. Opakowanie tego wyrobu wyprodukowano z surowców wtórnych. Należy odpowiednio się ich pozbywać i sortować je zgodnie z instrukcjami gospodarki surowcami wtórnymi. Nie należy ich wyrzucać razem ze zwykłymi odpadkami domowymi.

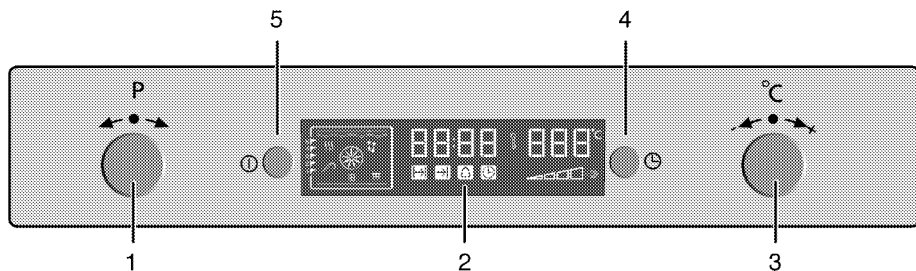
2 Informacje ogólne

Opis urządzenia



- 1 Panel sterowania
- 2 Półka druciana
- 3 Tacka
- 4 Uchwyt
- 5 Drzwiczki

- 6 Silnik wentylatora (za płytą stalową)
- 7 Lampka
- 8 Element grzewczy grilla
- 9 Pozycje półki



- 1 Pokrętko wyboru programów
- 2 Czasomierz cyfrowy
- 3 Przycisk podnoszenia/obniżania temperatury-czasu
- 4 Przycisk menu
- 5 Przycisk ZAŁ./WYŁ.

Zawartość opakowania

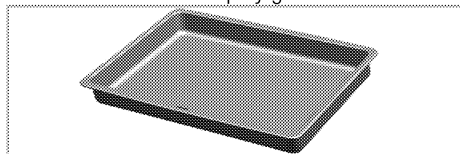


Dostarczane akcesoria różnią się zależnie od modelu wyrobu. Niektóre z akcesoriów opisanych w instrukcji obsługi mogą nie być dostarczane razem z tym modelem produktu.

1. Instrukcja użytkowania

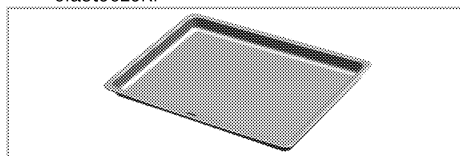
2. Foremka głęboka

Służy do pieczenia ciast, dużych porcji pieczeni, potraw soczystych oraz do zbierania tłuszczu przy grillowaniu.



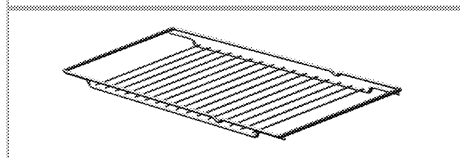
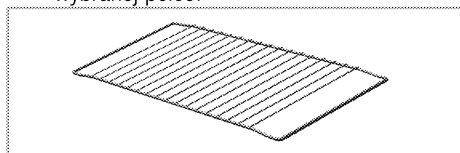
3. Foremka do pieczenia ciasta

Służy do pieczenia herbatników i kruchych ciasteczek.



4. Półka druciana

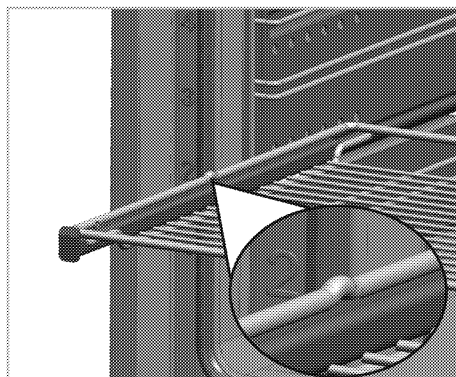
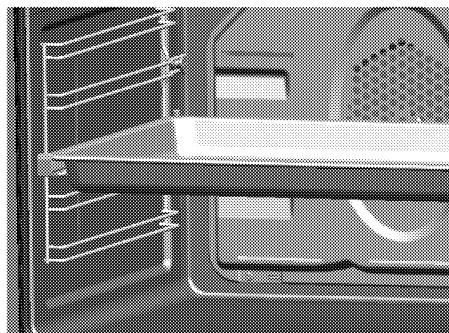
Służy do pieczenia oraz do ustawiania potraw do smażenia, pieczenia lub gotowania w naczyniach do zapiekank na wybranej półce.



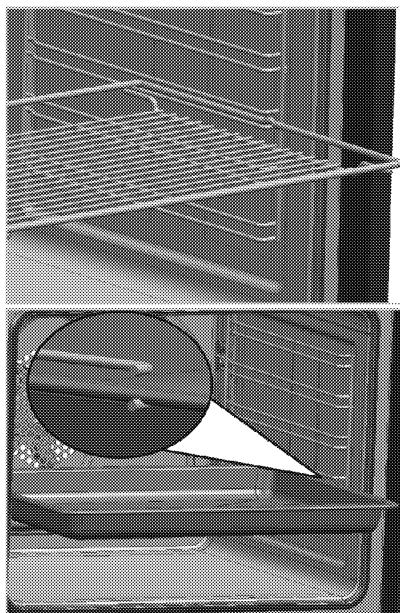
5. Właściwe umieszczenie półki drucianej i foremki na stelażach teleskopowych

Teleskopowe stelaże pozwalają na łatwe zakładanie i zdejmowanie foremek oraz rusztu.

Podczas używania foremki i rusztu ze stelażem teleskopowym, muszą być do nich dosunięte kolki znajdujące się z tyłu stelaża teleskopowego, przy krawędziach rusztu i foremki.



6. **Właściwe umieszczanie rusztu i foremki na stelażach teleskopowych**
Urządzenia bez elementów teleskopowych W przypadku urządzeń, w których nie ma elementów teleskopowych blachy do pieczenia i grill należy wsuwać w szyny bocznych wsporników. Właściwe umieszczanie na stelażu rusztu i/lub tacki na ociekający tłuszcz jest niezwykle ważne. Wsuń ruszt lub tackę na ociekający tłuszcz pomiędzy dwie szyny i zanim umieścisz na nim potrawę upewnij się, że jest wypoziomowany (patrz następująca ilustracja).



Dane techniczne

Napięcie/częstotliwość	220-240 V ~ 50 Hz
Łączne zużycie energii el.	3.1kW
Bezpiecznik	min. 16 A
Typ/ przekrój przewodu	H05VV-FG 3 x 1,5 mm ²
Długość przewodu	maks. 2 m
Wymiary zewnętrzne (wys./szer./głęb.)	595 mm/594 mm/567 mm
Wymiary instalacyjne (wys./szer./głęb.)	**590 lub 600 mm/560 mm/min. 550 mm
Piekarnik główny	Piekarnik wielofunkcyjny
Klasa sprawności energetycznej [#]	A
Oświetlenie wewnętrzne	15/25 W
Zużycie energii el. przez grill.	2.2 kW

[#] Informacja podstawowa: Dane na etykietach energetycznych piekarników elektrycznych podaje się zgodnie z normą PL-EN 50304. Wartości te określa się przy standardowym obciążeniu z czynnymi funkcjami grzejnika górnego-dolnego i wspomaganie nagrzewania wentylatorem (jeśli funkcje takie są dostępne). Klasę sprawności energetycznej określa się zgodnie z następującą priorytetyzacją, zależnie od występowania odpowiednich funkcji w danym modelu piekarnika. 1-Pieczenie w wentylatorem eco-fan, 2-Pieczenie turbo powolne, 3-Pieczenie turbo, 4-Grzałki dolna/górna wspomagane wentylatorem.

** Patrz: *Instalacja, strona 12.*



Dane techniczne mogą zostać zmienione bez uprzedzenia w celu poprawy jakości wyrobu.



Rysunki w tej instrukcji są schematyczne i mogą się nieco różnić od danego wyrobu.



Wartości podane na etykietkach wyrobu lub w towarzyszącej mu dokumentacji uzyskano w warunkach laboratoryjnych zgodnie z odnośnymi normami. Wartości te mogą się różnić zależnie od operacyjnych i środowiskowych warunków pracy danego wyrobu.

3 Instalacja

Produkt musi zostać zainstalowany przez wykwalifikowaną osobę i zgodnie z obowiązującymi przepisami. W przeciwnym gwarancja zostanie unieważniona. Producent nie odpowiada za szkody wynikłe z instalacji i napraw wykonywanych przez osoby nieupoważnione i może z tego powodu unieważnić gwarancję.



Przygotowanie miejsca do instalacji i dostępu do sieci elektrycznej to obowiązek klienta.



ZAGROŻENIE:

Urządzenie to należy instalować zgodnie z miejscowymi przepisami dot. instalacji gazowych i elektrycznych.



ZAGROŻENIE:

Przed zainstalowaniem sprawdź, czy wyrób nie ma widocznych defektów. Jeśli ma, nie instaluj go. Uszkodzone wyroby zagrażają Twemu bezpieczeństwu.

Przed zainstalowaniem

Urządzenie to przeznaczone jest do zainstalowania w dostępnych w handlu szafkach kuchennych. Pomiędzy tym urządzeniem a

ścianami lub meblami kuchennymi należy pozostawić bezpieczny odstęp. Patrz: rysunek (wymiary w mm)

- Powierzchnie zastosowanych syntetycznych laminatów i lepiszczy muszą być odporne na wysoką temperaturę (minimum 100 °C).
- Szafki kuchenne należy ustawić równo i przymocować.
- Jeśli pod piekarnikiem jest szuflada, trzeba pomiędzy nimi założyć półkę.
- Urządzenie nosić muszą przynajmniej dwie osoby.



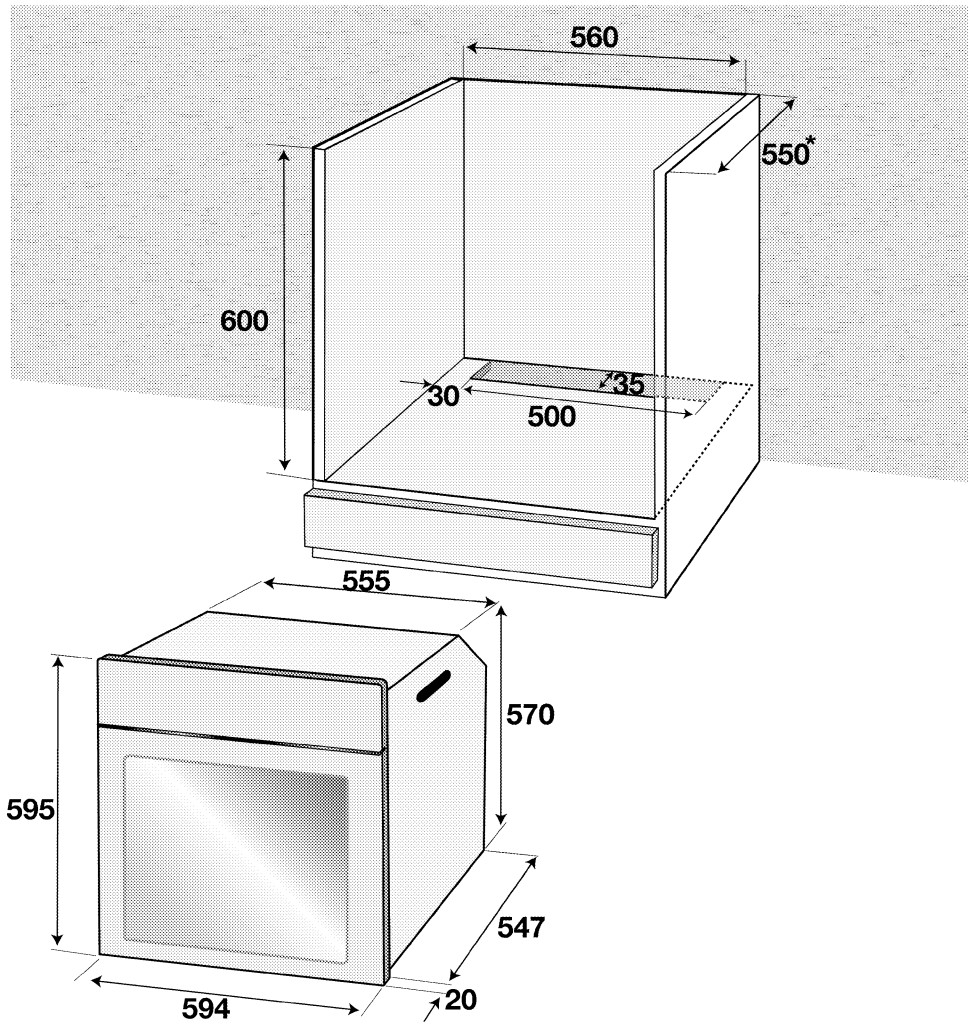
Nie instaluj tego urządzenia w pobliżu lodówek lub zamrażarek. Wydzielane z tego piekarnika ciepło może zwiększyć zużycie energii przez urządzenia chłodzące.



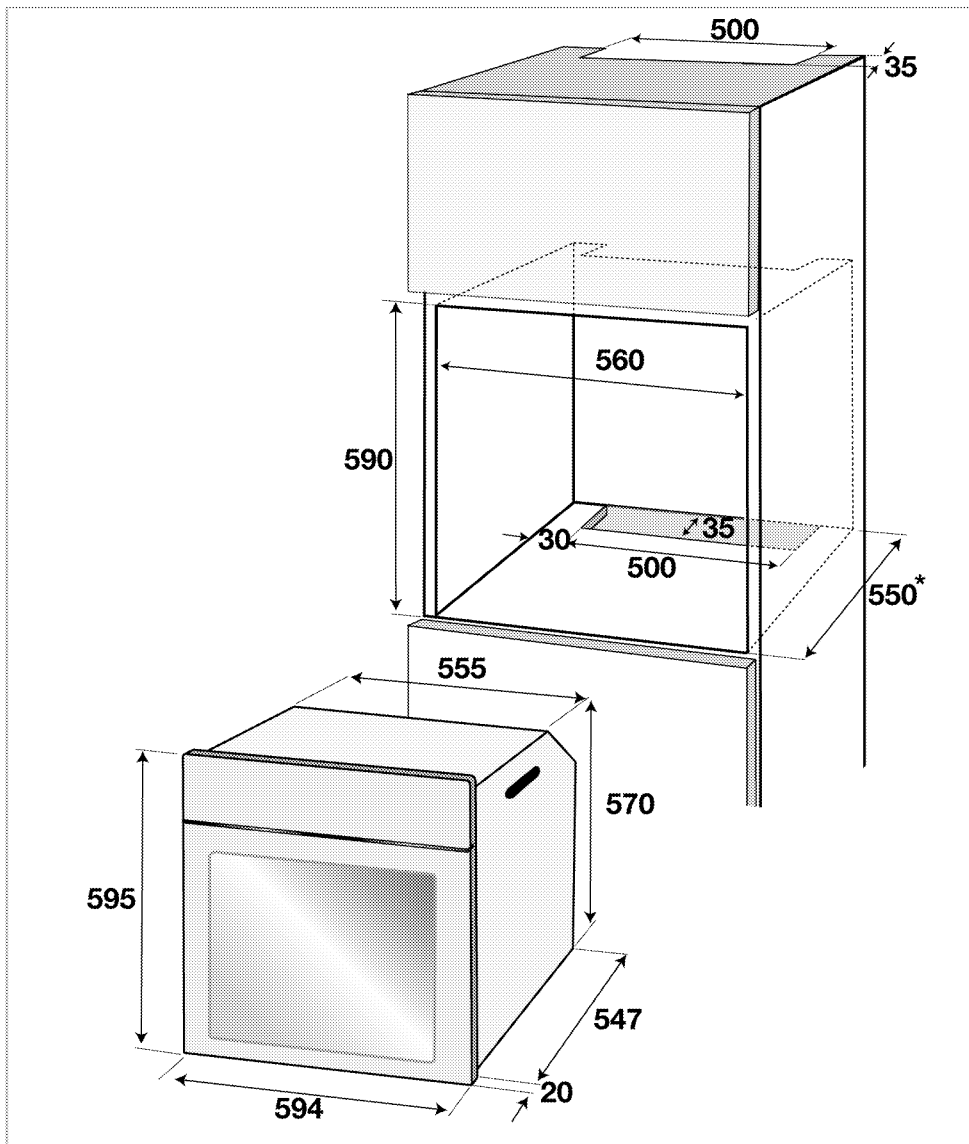
Nie podnoś piekarnika za drzwiczki ani za klamkę.



Jeśli wyrób ma uchwyty z drutu, po jego przesunięciu wciśnij je z powrotem w jego boczne ścianki.



* min.



* min.

Instalacja i przyłączenie

- Urządzenie to można instalować i przyłączać wyłącznie zgodnie z obowiązującymi zasadami instalowania.

Przyłączenie elektryczne

Przyłącz ten wyrób do uziemionego gniazdka/obwodu zabezpieczonego bezpiecznikiem o odpowiedniej specyfikacji

podanej w tabeli „Dane techniczne”. Zleć wykonanie instalacji uziemienia wykwalifikowanemu elektrykowi, niezależnie od tego, czy używasz transformatora do zasilania. Firma nasza nie odpowiada za żadne szkody wynikłe z użytkowania tego wyrobu bez uziemienia, zgodnie z przepisami miejscowymi.



ZAGROŻENIE:

Wyrób ten musi być przyłączony do sieci elektrycznej przez osobę upoważnioną i wykwalifikowaną. Gwarancja na ten wyrób obowiązuje dopiero po jego prawidłowym zainstalowaniu.

Producent nie odpowiada za szkody wynikłe z instalacji i napraw wykonywanych przez osoby nieupoważnione.



ZAGROŻENIE:

Przewodu zasilającego nie można klamrować, zginać i przyciskać, ani stykać z gorącymi częściami urządzenia.

Przewody uszkodzone wymieniać może tylko wykwalifikowany elektryk. Zagrożenie porażeniem elektrycznym, zwarciem lub pożarem z powodu niefachowej instalacji!

- Przyłączenie musi być zgodne z przepisami krajowymi.
- Parametry zasilania muszą odpowiadać danym podanym na tabliczce znamionowej urządzenia. Tabliczkę znamionową zobaczysz po otwarciu przednich drzwiczek.
- Przewód zasilający ten wyrób musi odpowiadać parametrom podanym w tabeli "Dane techniczne".



ZAGROŻENIE:

Przed podjęciem jakichkolwiek prac przy instalacji elektrycznej, odłącz to urządzenie od zasilania.

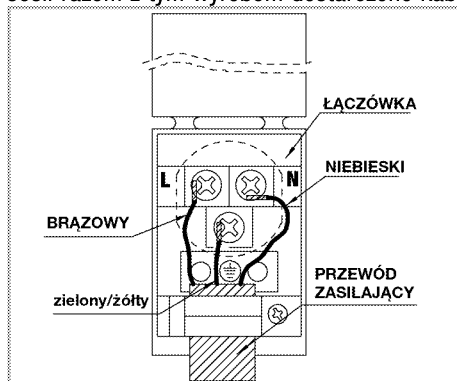
Grozi to porażeniem elektrycznym!


Przyłączanie kabla zasilania

1. Jeśli nie jest możliwe odłączenie od zasilania we wszystkich biegunach, trzeba zainstalować wyłącznik z przerwą stykową co najmniej 3 mm (bezpieczniki, liniowy wyłącznik bezpieczeństwa, stycznik), którego wszystkie bieguny powinny sąsiadować z wyróbem (ale nie ponad nią) zgodnie z przepisami IEE. Nieprzestrzeganie tych instrukcji może skutkować problemami eksploatacyjnymi i unieważnieniem gwarancji na wyrób.

Zaleca się dodatkowe zabezpieczenie wyłącznikiem prądu resztkowego.

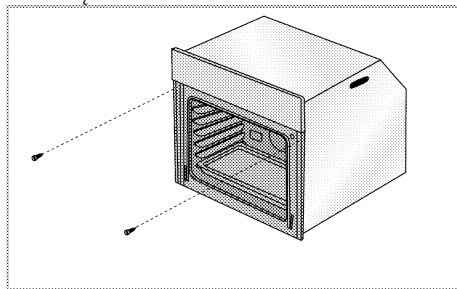
Jeśli razem z tym wyróbem dostarczone są kable:



2. Przy przyłączeniu jednofazowym, połącz przewody jak wskazano poniżej:
 - Brązowy/czarny kabel = L (Faza)
 - Niebieski/szary kabel = N (Zero)
 - Zielony/ żółty kabel = (E)  (uziemiający)

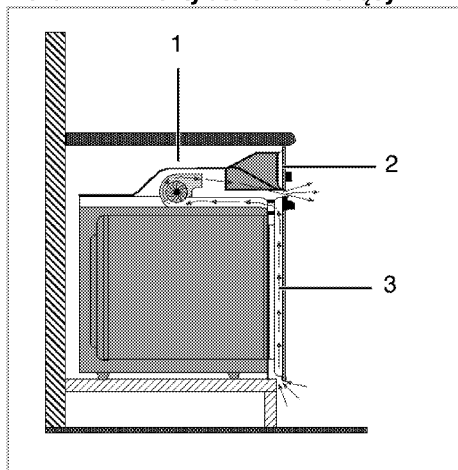
Instalowanie wyrobu

1. Wsuń piekarnik do szafki, wyrównaj ustawienie i zabezpiecz, sprawdzając, czy przewód zasilania nie jest uszkodzony ani nie uwiązł.



Zabezpiecz piekarnik 2 śrubkami, jak na rysunku.

Piekarniki z wentylatorem chłodzącym



- 1 Wentylator chłodzący
- 2 Panel sterowania
- 3 Drzwiczki

Wbudowany wentylator chłodzący chłodzi zarówno szafkę do zabudowy, jak i przód urządzenia.

i Wentylator chłodzący nadal pracuje przez 20 - 30 minut nawet po wyłączeniu piekarnika.

Ostateczne sprawdzenie

1. Włóż wtyczkę do gniazdka i załącz bezpiecznik piekarnika.
2. Sprawdź funkcje

Przyszły transport

- Zachowaj oryginalne pudło kartonowe na piekarnik i transportuj go w nim. Przestrzegaj instrukcji na pudle. Jeśli nie masz oryginalnego pudła, zapakuj piekarnik w folię bąbelkową lub grubą tekturę i zabezpiecz taśmą klejącą.
- Aby zapobiec uszkodzeniu drzwiczek przez ruszt druciany i tackę z wnętrza piekarnika włóż do jego środka pasek tektury, równo z pozycją tacek. Drzwiczki piekarnika zabezpiecz taśmą klejącą do ścian bocznych.
- Nie podnoś piekarnika za drzwiczki ani za klamkę.

- | | |
|----------|---|
| i | Nie stawiaj na nim żadnych przedmiotów i przemieszczaj go w pozycji pionowej. |
| i | Sprawdzaj, czy piekarnik nie uległ w transporcie widocznym uszkodzeniom. |

4 Przygotowanie

Jak oszczędzać energię

Następujące wskazówki pomogą użytkować urządzenie w sposób ekologiczny oraz energooszczędny.

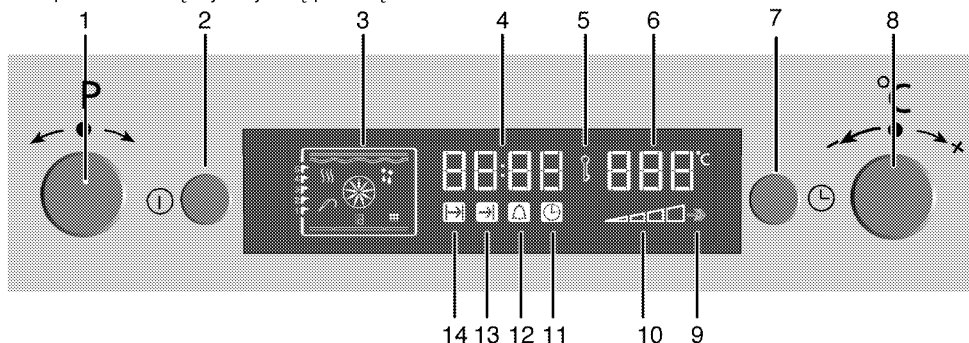
- Używaj naczyń w ciemnych barwach lub emaliowanych, co poprawi przepływ ciepła.
- Gotując potrawy wykonuj operacje podgrzewania, jeśli zaleca się ją w instrukcji obsługi lub przepisie gotowania.
- Nie otwieraj zbyt często drzwiczek w trakcie gotowania.
- O ile to możliwe staraj się gotować w piekarniku więcej niż jedną potrawę na raz.

Można gotować w dwóch naczyniach obok siebie na ruszcie.

- Gotuj potrawy po kolei. Piekarnik będzie już gorący.
- Można oszczędzić energię wyłączając piekarnik na kilka minut przed upływem czasu gotowania. Nie otwieraj drzwiczek piekarnika.
- Rozmrażaj mrożonki przed gotowaniem.

Pierwszy raz

Początkowe ustawianie czasu



- 1 Przycisk wyboru programu
 - 2 Przycisk ZAK./WYŁ.
 - 3 Wyświetlacz funkcji
 - 4 Pole wskaźnika czasu bieżącego
 - 5 Symbol blokady klawiszy
 - 6 Pole wskaźnika temperatury
 - 7 Przycisk menu
 - 8 Przycisk ustawiania temperatury - czasu.
 - 9 Symbol boostera (szybkie podgrzewanie)
 - 10 Symbol temperatury wewnątrz piekarnika
 - 11 Symbol zegara
 - 12 Symbol alarmu
 - 13 Symbol końca gotowania
 - 14 Symbol czasu gotowania
1. Lekko obróć pokrętko temperatury (8) w stronę + lub – aby nastawić czas przy pierwszym uruchomieniu piekarnika.

i Jeśli bieżący czas nie jest ustawiony, nastawienia czasu zaczną rosnać/zmieniać się od 12:00. Aby wskazać, że bieżąca godzina nie została ustawiona, wyświetli się kontrolka bieżącego czasu (11). Kontrolka ta zniknie po ustawieniu godziny.

Następnie nastaw zegar.

1. Raz po raz naciskaj przycisk menu (7), aż zapali się symbol zegara (11).
2. Lekko obróć pokrętko temperatury (8) w stronę "+" lub "-" aby nastawić godzinę.

i W przypadku zaniku zasilania nastawienia bieżącej godziny zostają skasowane. Trzeba je ustawić na nowo. Bieżącej godziny nie można nastawić, gdy użytkowana jest jakkolwiek funkcja piekarnika.

Pierwsze czyszczenie



Pewne detergenty lub środki czyszczące mogą uszkodzić powierzchnię.

Nie używaj agresywnych detergentów, proszku/mięczka do czyszczenia, ani żadnych ostrych przedmiotów.

1. Usuń wszystkie materiały opakowaniowe.
2. Wytrzyj powierzchnie wyrobu wilgotną ściereczką lub gąbką i wytrzyj do sucha ściereczką.

Podgrzewanie wstępne

Nagrzewaj urządzenie przez ok. 30 minut, a potem je wyłącz. Przed pierwszym użyciem należy wypalić wszelkie pozostałości po produkcji i warstwy ochronne.



OSTRZEŻENIE

Można się poparzyć od gorących powierzchni!

Urządzenie to nagrzewa się podczas pracy. Nie dotykaj gorących palników, wewnętrznych sekcji piekarnika, elementów grzejnych itp. Zakaz zbliżania się dzieci! Do wkładania i wyjmowania potraw z gorącego piekarnika zawsze zakładaj odporne na wysokie temperatury rękawice.

Piekarnik elektryczny

1. Wyjmij z piekarnika wszystkie foremki do pieczenia i ruszt.
2. Zamknij drzwiczki piekarnika.
3. Wybierz pozycję „Static” (Statyczne)
 1. Wybierz najwyższą moc grilla; patrz *Jak obsługiwać piekarnik elektryczny, strona 19.*
 2. Niech piekarnik pracuje przez ok. 30 minut.
 3. Wyłącz piekarnik; patrz *Jak obsługiwać piekarnik elektryczny, strona 19*

Piekarnik z grillem

1. Wyjmij z piekarnika wszystkie foremki do pieczenia i ruszt.
2. Zamknij drzwiczki piekarnika.
3. Wybierz najwyższą moc grilla; patrz *Jak obsługiwać grill, strona 28.*
4. Niech piekarnik pracuje przez ok. 30 minut.
5. Wyłącz grill; patrz *Jak obsługiwać grill, strona 28*



W trakcie pierwszego uruchomienia przez parę godzin mogą się wydzielać dym i zapach. Jest to całkiem normalne. Zadbaj o dobrą wentylację kuchni i pozbadź się dymu i zapachu. Nie wdychać bezpośrednio powstającego dymu i zapachu.

5 Jak obsługiwać piekarnik

Ogólne informacje o pieczeniu ciast i mięs oraz o grillowaniu.



OSTRZEŻENIE

Można się poparzyć od gorących powierzchni!
Urządzenie to nagrzewa się podczas pracy. Nie dotykaj gorących palników, wewnętrznych sekcji piekarnika, elementów grzejnych itp. Zakaz zbliżania się dzieci!
Do wkładania i wyjmowania potraw z gorącego piekarnika zawsze zakładaj odporne na wysokie temperatury rękawice.



ZAGROŻENIE:

Otwierając drzwiczki piekarnika zachowaj ostrożność, bo może ułotnić się z niego para.
Taka ulatniająca się para może poparzyć dłonie, twarz i oczy.

Wskazówki do pieczenia ciasta

- Używaj stosownych naczyń metalowych z powłokami nieprzylegającymi, pojemników aluminiowych, lub żaroodpornych form silikonowych.
- Rób najlepszy użytek z miejsca na półce.
- Foremkę do pieczenia stawiaj w środku półki.
- Prze załączeniem piekarnika lub grilla wybierz właściwą pozycję półki. Nie zmieniaj pozycji półki, gdy kuchenka jest gorąca.
- Zamknij drzwiczki piekarnika i nie otwieraj ich.

Wskazówki do pieczenia mięsa

- Przyprawienie całych kurcząt, indyków i dużych porcji mięsa, np. sokiem z cytryny ;in czarnym pieprzem przed pieczeniem podniesie jego wydajność.
- Pieczenia mięsa z kością trwa ok. 15 - 30 minut dłużej niż pieczenie takiego samego kawałka bez kości.
- Na upieczenie jednego centymetra grubości mięsa potrzeba ok. 4 do 5 minut.
- Po zakończeniu pieczenia pozostaw pieczeń w piekarniku na ok. 10 minut. Soki lepiej

rozchodzą się po całej pieczeni i nie wyciekają przy jej krojeniu.

- Ryby należy piec na półce środkowej lub dolnej na żaroodpornym talerzu.

Wskazówki do grillowania

Mięso, ryby i drób szybciej rumienią się, gdy się je grilluje, zachowują miłą kruchość i nie wysychają. Do grillowania szczególnie nadają się płaskie kawałki, nadziane na szpikulec szaszłyki i kielbaski, a także warzywa o znacznej zawartości wody, takie jak pomidory i cebule.

- Rozłóż kawałki mięsa do grillowania na ruszcie drucianym lub w foremce do pieczenia z rusztem drucianym w taki sposób, aby pokryta nimi powierzchnia nie wystawała poza grzałkę.
- Wsuń ten ruszt druciany lub foremkę do pieczenia z rusztem na wybrany poziom w piekarniku. Jeśli grillujesz na ruszcie drucianym, na dolną półkę wsuń foremkę do pieczenia na kapiący tłuszcz. Aby łatwiej oczyścić to naczynie z tłuszczu wlej do niego trochę wody.

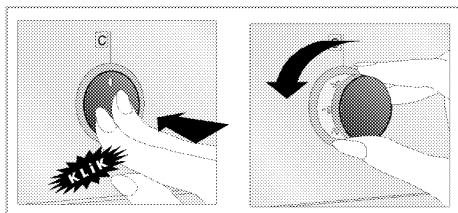


Żywność nie nadająca się do grillowania stwarza zagrożenie pożarowe. Do grillowania używaj wyłącznie żywności, która nadaje się do przyrządzania w wysokich temperaturach.
Nie wkładaj żywności do grilla zbyt głęboko. Tam jest najgoręcej i tłusta żywność może się zapalić.

Jak obsługiwać piekarnik elektryczny

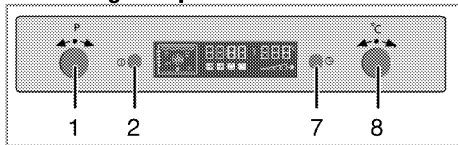
Pieczek ten wyposażony jest w "wyskakujące" pokrętki, które po naciśnięciu wysuwają się.

1. Aby wysunąć pokrętko wciśnij je, a potem obróć w żądane nastawienie.



- Po zakończeniu procesu pieczenia obróć to pokrętkę w pozycję off [wył] (górną) i wciśnij ją.

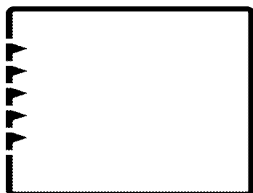
Jak obsługiwać piekarnik



- Pokrętko wyboru programów
 - Przycisk ZAŁ./WYŁ.
 - Przycisk menu
 - Przycisk podnoszenia/obniżania temperatury-czasu
- Naciśnij przycisk On/Off [Zał/wył] (2) na ok. 2 sekundę, aby załączyć piekarnik.

Wybieranie temperatury i trybu pracy

Po załączeniu piekarnika pojawia się pusty wyświetlacz funkcji.



Gdy wyświetlacz jest w tym trybie, można nastawić czas pieczenia, godzinę zakończenia, oraz funkcję Booster (szybkie pieczenie).



Piekarnik wyłączy się automatycznie po 10 sekundach jeśli na tym ekranie nie nastawi się żadnych jego ustawień.

- Lekko obróć pokrętkę Program Selection [Wyboru programu] (1) w prawo lub lewo, aby ustawić wybrany tryb pracy.
- Lekko obróć pokrętkę temperatury (8) w stronę "+" lub "-" aby nastawić wybraną temperaturę.

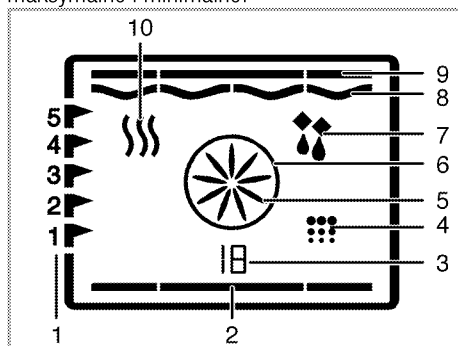
» Piekarnik natychmiast uruchomi się wykonując zadaną funkcję i będzie podnosić temperaturę we wnętrzu aż do zadanej wielkości.

» Na wyświetlaczu Function [Funkcja] pojawiają się aktywne grzałki i zalecana pozycja tacki.

» Jeśli nie nastawiono temperatury, na ekranie temperatury pojawi się wartość zalecana dla wybranej funkcji.

Tabela funkcji:

Tabela funkcji pokazuje dostępne funkcje piekarnika i odpowiadające im temperatury maksymalne i minimalne.



- Pozycje półki
- Grzejnik dolny
- Numer funkcji
- Pozycja czyszczenia
- Nawiew boostera
- Grzejnik boostera
- Praca z wentylatorem.
- Grzałka grilla
- Grzałka górna
- Utrzymywanie w ciepłe



Funkcje różnią się zależnie od modelu piekarnika!

Tabela funkcji	Zalecana temperatura (°C)	Zakres temperatur (°C)
Stacyjny	200	40-280
Stacyjny termo obieg	175	40-280
Nagrzewanie wentylatorowe	180	40-280
3 D	205	40-280
Pizza	210	40-280
Grill+termoobieg	200	40-280

Full grill	280	40-280
Grill	280	40-280
Nagrzewanie wentylatorowe Eco Fan	180	160-220
Grzałka dolna	180	40-220
Utrzymywanie w cieple	60	40-100



Ze względów bezpieczeństwa maksymalny czas pieczenia we wszystkich trybach z wyjątkiem utrzymywania w cieple ograniczono do 6 godzin. W razie przerwy w zasilaniu program kasuje się. Trzeba zaprogramować piekarnik od nowa.



Przy każdej regulacji na zegarze migać będą odnośne symbole.



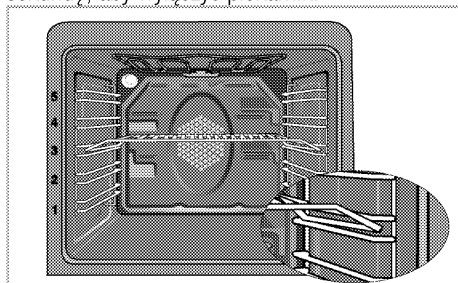
Biejącej godziny nie można nastawić gdy piekarnik wykonuje jakąś funkcję, lub jeśli zaprogramowano go do pracy w trybie pół-automatycznym lub w pełni automatycznym.



Nawet jeśli piekarnik jest wyłączony, lampka w jego wnętrzu zapala się przy otwarciu drzwiczek.

Wyłączanie piekarnika elektrycznego

Naciśnij przycisk On/Off [Zał/wył] (2) na ok. 2 sekundy, aby wyłączyć piekarnik.



Pozycje stelażu (modele z rusztem drucianym)

Ważne jest, aby prawidłowo umieszczać ruszt druciany na półce drucianej. Ruszt druciany trzeba wsadzić pomiędzy półki druciane jak pokazano na rysunku.

Ruszt druciany nie może opierać się o tylną ścianę piekarnika. Aby poprawić wydajność grillowania, przesunąć ruszt druciany do przedniej sekcji stelażu i ustalić go przy pomocy drzwiczek.

Tryby pracy

Podana tutaj kolejność trybów pracy może różnić się od ich układu dla tego urządzenia.

1. Grzałki górna i dolna



Żywność nagrzewana jest równocześnie od góry i od dołu. Na przykład, nadaje się do ciasta, ciasteczek oraz ciasta i zapiekanek w foremkach do pieczenia. Piecz w jednej tylko blasze.

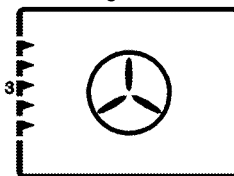
Na ekranie wyświetli się właściwa pozycja półki.

2. Grzanie dolne/górne z termoobiegiem



Gojące powietrze nagrzane grzałkami górną i dolną jest bardzo szybko równomiernie rozprowadzane w całym piekarniku przez wentylator. Piecz w jednej tylko blasze.

3. Termoobieg

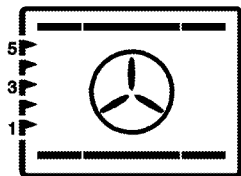


Gojące powietrze nagrzane grzałką tylną jest bardzo szybko równomiernie rozprowadzane w całym piekarniku przez wentylator. Jest to przydatne do gotowania potraw na różnych poziomach półek i w większości przypadków nie potrzeba wstępnego podgrzewania. Nadaje się do pieczenia w kilku blachach na raz.



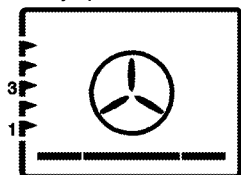
Gdy otwarte są drzwiczki piekarnika, silnik wentylatora nie będzie działał, aby gorące powietrze pozostało we wnętrzu.

4. Funkcja "3D"



Działają grzałki dolna i górna oraz nagrzewanie z termoobiegiem. Potrawy pieką się równomiernie i szybko rumieniają. Piec w jednej tylko blaszce.

5. Funkcja pizza



Działają grzałka dolna i nagrzewanie z termoobiegiem. Nadaje się do pieczenia pizzy.

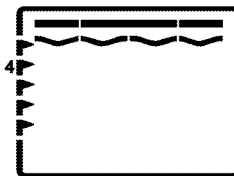
6. Full grill+termoobieg



Gorące powietrze nagrzane dużym grilem jest bardzo szybko równomiernie rozprowadzane w całym piekarniku przez wentylator. Nadaje się do grillowania dużych ilości mięsa.

- Do grillowania połóż duże lub średnie porcje na odpowiednio ustawionej półce pod grzałką grilla.
- Temperaturę nastaw na poziom maksymalny.
- Obróć potrawę po upływie połowy czasu grillowania.

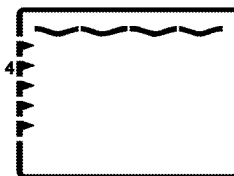
7. Full grill



Działa duży grill w suficie piekarnika. Nadaje się do grillowania dużych ilości mięsa.

- Do grillowania połóż duże lub średnie porcje na odpowiednio ustawionej półce pod grzałką grilla.
- Temperaturę nastaw na poziom maksymalny.
- Obróć potrawę po upływie połowy czasu grillowania.

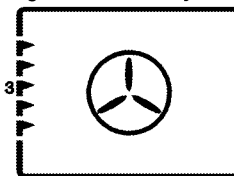
8. Grill



Działa mały grill w suficie piekarnika. Nadaje się do grillowania i potraw gratynowanych.

- Do grillowania połóż małe lub średnie porcje na odpowiednio ustawionej półce pod grzałką grilla.
- Temperaturę nastaw na poziom maksymalny.
- Obróć potrawę po upływie połowy czasu grillowania.

9. Nagrzewanie wentylatorowe Eco Fan



Aby oszczędzić energię el. można użyć tej funkcji zamiast pieczenia, które wykonałoby się stosując termoobieg w temperaturze z zakresu 160-220°C. Ale nieco przedłuży się czas gotowania.

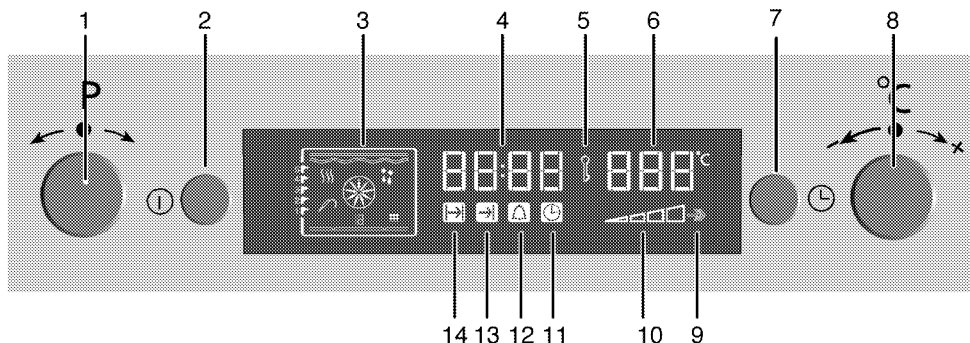
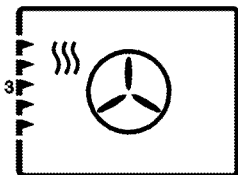
Czasy trwania pieczenia w odniesieniu do tej funkcji przedstawiono w tabeli Pieczenie Eco-fan.

10. Grzałka dolna



Pracuje tylko grzałka dolna. Nie nadaje się do pizzy ani do rumienienia potrawy od spodu po upieczeniu.

11. Utrzymywanie w ciepłe



- 1 Przycisk wyboru programu
- 2 Przycisk ZAŁ./WYŁ.
- 3 Wyświetlacz funkcji
- 4 Pole wskaźnika czasu bieżącego
- 5 Symbol blokady klawiszy
- 6 Pole wskaźnika temperatury
- 7 Przycisk menu
- 8 Przycisk ustawiania temperatury - czasu.
- 9 Symbol boostera (szybkie podgrzewanie)
- 10 Symbol temperatury wewnątrz piekarnika
- 11 Symbol zegara
- 12 Symbol alarmu
- 13 Symbol końca gotowania
- 14 Symbol czasu gotowania

Służy do utrzymywania potraw gotowych do podawania przez długi okres czasu.

12. Praca z wentylatorem.



Piekarnik nie jest nagrzewany. Pracuje tylko wentylator (w ścianie tylnej). Nadaje się od powolnego odtajania mrozonek ziarnistych w temperaturze pokojowej lub studzenia potraw gotowanych.

Jak obsługiwać urządzenia sterujące piekarnika

Praca w trybie pół-automatycznym

W tym trybie pracy można nastawić okres czasu, w którym piekarnik będzie działał (czas pieczenia).

1. Naciśnij przycisk On/off (Zał./wył.) (2) aby załączyć piekarnik.
 2. Lekko obróć pokrętkę Program Selection [Wyboru programu] (1) w prawo lub lewo, aby ustawić wybrany tryb pracy.
 3. Gdy piekarnik jest załączony, raz po raz naciskaj przycisk Menu (7), aby zapalić symbol Cooking Time [Czas pieczenia] (14).
 4. Lekko obróć pokrętkę Temperature-Time Adjustment [Ustawianie temperatury i czasu] (8) w stronę "+" lub "-" aby nastawić czas pieczenia.
- » Po nastawieniu czasu gotowania symbol czasu pieczenia (14) pozostaje zapalony.

5. Wstaw naczynie z potrawą do piekarnika.
6. Lekko obróć pokrętko Temperature-Time Adjustment [Ustawianie temperatury i czasu] (8) w stronę "+" lub "-" aby nastawić temperaturę pieczenia.

» Piekarnik będzie się nagrzewał aż do nastawionej temperatury i utrzyma ją aż do wybranej godziny zakończenia gotowania. W trakcie procesu pieczenia pali się lampka w piekarniku.



Wszystkie segmenty symbolu temperatury wewnątrz piekarnika (10) włączą się, gdy piekarnik osiągnie nastawioną temperaturę.

7. Po zakończeniu procesu gotowania wyświetli się "End" [Koniec] i odezwie alarm.
8. Aby uciszyć alarm, naciśnij przycisk Menu (7) lub On/Of [Zał./wył.] (2)

» Alarm cichnie, piekarnik wyłącza się automatycznie i wyświetla się bieżąca godzina.

Przełączanie w tryb całkowicie automatyczny

W tym trybie pracy można nastawiać czas trwania gotowania i godzinę jego zakończenia.

1. Naciśnij przycisk On/off (Zał./wył.) (2) aby załączyć piekarnik.
2. Lekko obróć pokrętko Program Selection [Wyboru programu] (1) w prawo lub lewo, aby ustawić wybrany tryb pracy.
3. Raz po raz naciskaj przycisk Menu (7), aż zapali się symbol Cooking Time [Czas pieczenia] (14).
4. Lekko obróć pokrętko Temperature-Time Adjustment [Ustawianie temperatury i czasu] (8) w stronę "+" lub "-" aby nastawić czas pieczenia.

» Po nastawieniu czasu pieczenia symbol czasu pieczenia (14) pozostaje zapalony.

» Po nastawieniu czasu pieczenia symbol czasu pieczenia (14) pozostaje zapalony.

5. Raz po raz naciskaj przycisk Menu (7), aż zapali się symbol End of Cooking Time [Godzina zakończenia pieczenia] (13).
6. Lekko obróć pokrętko Temperature-Time Adjustment [Ustawianie temperatury i czasu] (8) w stronę "+" lub "-" aby nastawić godzinę zakończenia pieczenia.

» Po nastawieniu godziny zakończenia pieczenia symbol End of Cooking Time [Godzina zakończenia pieczenia] (13) pali się nadal.

7. Wstaw naczynie z potrawą do piekarnika.
8. Lekko obróć pokrętko Temperature-Time Adjustment [Ustawianie temperatury i czasu] (8) w stronę "+" lub "-" aby nastawić temperaturę pieczenia.

» Zegar piekarnika automatycznie wylicza godzinę rozpoczęcia pieczenia odejmując czas trwania pieczenia od nastawionej godziny jego zakończenia. Gdy nadejdzie godzina rozpoczęcia gotowania, aktywuje się wybrany tryb pracy i piekarnik nagrzewa się do nastawionej temperatury. Utrzymuje tę temperaturę przez cały czas pieczenia. W trakcie procesu pieczenia pali się lampka w piekarniku.



Wszystkie segmenty symbolu temperatury wewnątrz piekarnika (10) włączą się, gdy piekarnik osiągnie nastawioną temperaturę.

9. Po zakończeniu procesu gotowania wyświetli się "End" [Koniec] i odezwie alarm.
 10. Aby uciszyć alarm, naciśnij przycisk Menu (7) lub On/Of [Zał./wył.] (2)
- » Alarm cichnie, piekarnik wyłącza się automatycznie i wyświetla się bieżąca godzina. Lampka w piekarniku gaśnie.



Jeśli chce się wyłączyć program półautomatyczny lub automatyczny po jego nastawieniu, trzeba wyzerować czas gotowania.

Nastawienia Boostera (Szybkie podgrzewanie)

Funkcji Booster (szybkie podgrzewanie) używa się, aby szybciej nagrzać piekarnik do nastawionej temperatury.



Booster nastawiać można tylko, gdy piekarnik działa. Funkcji Booster nie można wybrać w pozycjach rozmrażania i czyszczenia. W razie przerwy w zasilaniu ustawienia boostera kasują się.

1. Raz po raz naciskaj przycisk Menu (7), aż zapali się symbol Booster (Szybkie podgrzewanie) (9).
- » Na wyświetlaczu pojawi się "OFF" [WYŁ].

2. Lekko obróć pokrętkę Temperature-Time Adjustment [Ustawianie temperatury i czasu] (8) w stronę '+' aby uruchomić funkcję Booster.

» Po uruchomieniu funkcji Booster, "On" [Zał.] pojawi się na wyświetlaczu, a Booster pali się nadal.

» Symbol Booster znika, gdy tylko piekarnik osiągnie nastawioną temperaturę, i piekarnika wraca do wykonywania funkcji czynnej przed uruchomieniem funkcji Booster.

3. Aby wyłączyć funkcję Booster, raz po raz naciskaj przycisk Menu (7), aż zapali się symbol Booster (9).

» Na wyświetlaczu pojawi się "On" [Zał.].

4. Lekko obróć pokrętkę Temperature-Time Adjustment [Ustawianie temperatury i czasu] (8) w stronę '-' aby wyłączyć funkcję Booster.

» Na wyświetlaczu pojawi się "OFF" [WYŁ.].

Korzystanie z zegara piekarnika

Blokada przycisków

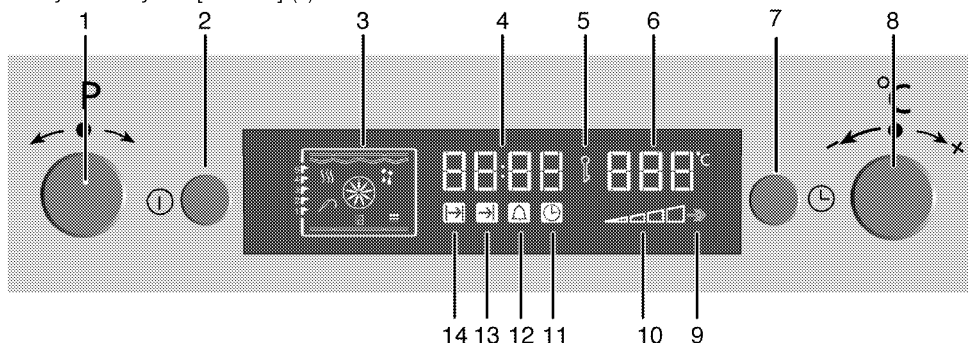
Zakładanie blokady przycisków

Uruchamiając funkcję Keylock [Blokada przycisków] można zapobiec użyciu piekarnika.



Blokady przycisków można używać także przy wyłączonym piekarniku. Pracujący piekarnik można wyłączyć naciskając przycisk On/Off [Zał./wył.] (2) i przytrzymując przez 2 sek. nawet przy założonej blokadzie przycisków.

1. Raz po raz naciskaj przycisk (7), aż zapali się symbol Keylock [Blokada] (5).



1. Przycisk wyboru programu
2. Przycisk ZAŁ./WYŁ.
3. Wyświetlacz funkcji

» Na wyświetlaczu pojawi się "OFF" [WYŁ.].

2. Lekko obróć pokrętkę (8) w stronę '+' aby uruchomić blokadę.

» Po założeniu blokady, "On" [Zał.] pojawi się na wyświetlaczu, a symbol Keylock [Blokada] (10) pali się nadal.

Wyłączanie blokady przycisków

1. Naciśnij przycisk (7), aby zapalić symbol Keylock [Blokada] (5).

» Na wyświetlaczu pojawi się "On" [Zał.].

2. Lekko obróć pokrętkę (8) w stronę '-' aby wyłączyć blokadę.

» Po zdjęciu blokady, "OFF" [WYŁ.] pojawi się na wyświetlaczu, a symbol Keylock [Blokada] (5) zgaśnie.



Po założeniu blokady przycisków przyciski piekarnika nie działają. W razie przerwy w zasilaniu ustawienia blokady przycisków nie kasują się.

Zegar jako programator alarmu

Poza programowaniem pieczenia zegara w piekarniku można użyć do nastawiania dowolnych ostrzeżeń lub przypomnień.

Alarm czasowy nie wpływa na inne funkcje piekarnika. Używa się go tylko do ostrzegania. Na przykład przydaje się, gdy chce się obrócić potrawę w piekarniku o określonej godzinie. Alarm czasowy sygnalizuje upływanie ustalonego czasu.

- 7 Przycisk menu
- 8 Przycisk ustawiania temperatury - czasu.
- 9 Symbol boostera (szybkie podgrzewanie)
- 10 Symbol temperatury wewnątrz piekarnika
- 11 Symbol zegara
- 12 Symbol alarmu
- 13 Symbol końca gotowania
- 14 Symbol czasu gotowania

Zegar jako programator alarmu



Alarm czasowy nie wpływa na inne funkcje piekarnika. Używa się go tylko do ostrzegania. Na przykład przydaje się, gdy chce się obrócić potrawę w piekarniku o określonej godzinie. Alarm czasowy sygnalizuje upłynięcie ustawionego czasu.



Najdłuższy czas alarmu to 23 godziny i 59 minut.



Z alarmu dźwiękowego można korzystać także przy wyłączonym piekarniku.

Aby nastawić alarm:

1. Raz po raz naciskaj przycisk Menu (7), aż zapali się symbol Alarm (12).

2. Lekko obróć pokrętko Temperature-Time Adjustment [Ustawianie temperatury i czasu] (8) w stronę "+" lub "-" aby nastawić godzinę alarmu.
 - » Po nastawieniu czasu alarmu nadal pali się symbol alarmu.
3. Po upływie godziny alarmu symbol alarmu zacznie migać i odezwie się sygnał alarmu.
4. Aby wyłączyć alarm naciśnij dowolny przycisk.

Jeśli chcesz skasować alarm:

1. Raz po raz naciskaj przycisk Menu (7), aż zapali się symbol Alarm (12).
2. Lekko obróć pokrętko temperatury (8) w stronę "-" aż "00:00" pojawi się na wyświetlaczu.

Tabela czasów pieczenia



Podane w tabeli czasy są tylko orientacyjne. Mogą się różnić, zależnie od rodzaju żywności, grubości, rodzaju i preferencji kulinarnych.

Pieczenie ciast i mięs



Pierwsza półka w piekarniku to półka dolna.

Potrawa	Numer poziomu gotowania		Pozycja półki	Temperatura (°C)	Czas pieczenia (ok., w min.)
Ciasto na blasze*	Jeden poziom		3	175	25 ... 30
Ciasto w foremce*	Jeden poziom		2	180	40 ... 50
Ciasta w papierze*	Jeden poziom		3	175	25 ... 30
	2 poziomy		1 - 5	175	30 ... 40
	3 poziomy		1 - 3 - 5	180	45 ... 55
Ciasto biszkoptowe*	Jeden poziom		3	200	5 ... 10
	2 poziomy		1 - 5	175	20 ... 30
Ciasteczka*	Jeden poziom		3	175	25 ... 30
	2 poziomy		1 - 5	170 ... 190	30 ... 40
	3 poziomy		1 - 3 - 5	175	35 ... 45
Ciasto*	Jeden poziom		2	200	30 ... 40
	2 poziomy		1 - 5	200	45 ... 55
	3 poziomy		1 - 3 - 5	200	55 ... 85
Ciasto zdatne*	Jeden poziom		2	200	25 ... 35
	2 poziomy		1 - 5	200	35 ... 45
	3 poziomy		1 - 3 - 5	190	45 ... 55
Ciasto na zaczynie*	Jeden poziom		2	200	35 ... 45
	2 poziomy		1 - 3	190	35 ... 45
Lazanie*	Jeden poziom		2 - 3	200	30 ... 40
Pizza*	Jeden poziom		2	200 ... 220	15 ... 20

	Jeden poziom		3	200	10 ... 15
Stek wołowy/ pieczeń wołowa	Jeden poziom		3	25 min. 250/maks, następnie 180... 190	100 ... 120
Udziec jagnięcy (zapiekanka)	Jeden poziom		3	25 min. 250/maks, następnie 190	70 ... 90
	Jeden poziom		3	25 min. 250/maks, następnie 190	60 ... 80
Pieczone kurczęta	Jeden poziom		2	15 min. 250/maks, następnie 180... 190	55 ... 65
	Jeden poziom		2	15 min. 250/maks, następnie 180... 190	55 ... 65
Indyk (5,5 kg)	Jeden poziom		1	25 min. 250/maks, następnie 180... 190	150 ... 210
	Jeden poziom		1	25 min. 250/maks, następnie 180... 190	150 ... 210
Ryby	Jeden poziom		3	200	20 ... 30
	Jeden poziom		3	200	20 ... 30

Przy pieczeniu równocześnie w dwóch blachach, głębszą blachę stawia się na półce górnej, a blachę płytszą na dolnej.
* Sugeruje się, aby wstępne nagrzewanie stosować przy wszystkich potrawach.

(**) Przy pieczeniu, które wymaga wstępnego podgrzania, podgrzewaj na początku pieczenia, **Nagrzewanie wentylatorowe Eco Fan**

aż wskaźnik temperatury (8) podniesie się do najwyższego poziomu..

Po rozpoczęciu pieczenia w trybie nagrzewania wentylatorowego Eco Fan nie należy zmieniać temperatury pieczenia.

W trakcie pieczenia w trybie nagrzewania wentylatorowego Eco Fan nie należy otwierać drzwiczek.

Potrawa	Numer poziomu gotowania		Pozycja półki	Temperatura (°C)	Czas pieczenia (ok., w min.)
Ciasta w papierze	Jeden poziom		3	200	35 ... 40
Ciasteczko	Jeden poziom		3	200	30 ... 35
Ciasto	Jeden poziom		3	200	40 ... 45
Ciasto zdobne	Jeden poziom		3	200	40 ... 45

Wskazówki do pieczenia ciasta

- Jeśli ciasto jest zbyt suche, zwiększ temperaturę o ok. 10 i skróć czas pieczenia.
- Jeśli ciasto jest wilgotne, użyj mniej płynu lub obniż temperaturę o 10°C.
- Jeśli ciasto jest zbyt ciemne z góry, umieść je na dolnej półce, obniż temperaturę i przedłuż czas pieczenia.
- Jeśli jest dobrze wypieczone wewnątrz, ale klei się na zewnątrz, użyj mniej płynu, obniż temperaturę i przedłuż czas pieczenia.

Wskazówki przy pieczeniu ciasta

- Jeśli ciasto jest zbyt suche, zwiększ temperaturę o ok. 10 i skróć czas pieczenia. Nawilż warstwę ciasta sosem złożonym z mleka, oleju, jajka i jogurtu.

- Jeśli pieczenie ciasta trwa zbyt długo, sprawdź czy grubość przygotowanego ciasta nie przekracza głębokości blachy.
- Jeśli góra ciasta brązowieje, ale dolna część nie jest upieczona, sprawdź, czy na dnie ciasta nie ma zbyt wiele użytego dom pieczenia sosu. Aby ciasto brązowało równomiernie postaraj się rozprowadzić sos równo pomiędzy warstwami i górą ciasta.

Piecz ciasto zgodnie z trybem i temperaturą podanymi w tabeli gotowania. Jeśli dół nadal nie dość się zabarwił, następnym razem umieść ciasto na dolnej półce.

Wskazówki przy gotowaniu jarzyn

- Jeśli potrawa warzywna puszcza soki i zbyt szybko wysycha, gotuj ją w garnku z

pokrywką zamiast blachy. Zamknięte naczynia zatrzymują sok z potrawy.

- Jeśli potrawa warzywna nie uduśiła się, najpierw ugotuj te warzywa lub przegotuj je jak potrawę z puszki i wsadź do piekarnika.

Jak obsługiwać grill



OSTRZEŻENIE

Zamykaj drzwiczki na czas grillowania. Można się poparzyć od gorących powierzchni!

Załączanie grilla

1. Naciśnij przycisk On/Off [Zał/wył] (2) na ok. 2 sekundę, aby załączyć piekarnik.
2. Lekko obróć pokrętko Program Selection [Wybór programu] (1) w prawo lub lewo, aby nastawić funkcję grilla.
3. Lekko obróć pokrętko temperatury (8) w stronę "+" lub "-" aby nastawić wybraną temperaturę.

Wyłączanie grilla

1. Naciśnij przycisk On/Off [Zał/wył] (2) na ok. 2 sekundę, aby wyłączyć piekarnik.

Pozycje stelaża

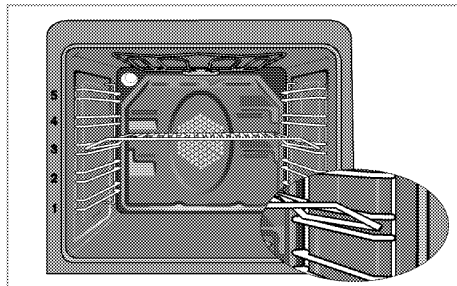
Wydajność grillowania zmniejszy się, jeśli ruszt druciasty opiera się o tył piekarnika. Aby poprawić

Grillowanie na grillu elektrycznym

Potrawa	Poziom	Czas grillowania
Ryby	4..5	20...25 min. #
Sznycle z kurczaka	4..5	25...35 min.
Kotlety jagnięce	4..5	20...25 min.
Pieczeń wołowa	4..5	25...30 min. #
Kotlety cielęce	4..5	25...30 min. #
Opiekanie chleba	4	1...2 min.

zależnie od grubości

wydajność grillowania, przesunąć ruszt druciasty do przedniej sekcji półki i ustal go przy pomocy drzwiczek.



Żywność nie nadająca się do grillowania stwarza zagrożenie pożarowe. Do grillowania używaj wyłącznie żywności, która nadaje się do przyrządzania w wysokich temperaturach. Nie wkładaj żywności do grilla zbyt głęboko. Tam jest najgoręcej i tłusta żywność może się zapalić.

Tabela czasów pieczenia przy grillowaniu

6 Czyszczenie i konserwacja

Informacje ogólne

Okres użytkowania tego wyrobu przedłuży się, a problemy stana się rzadsze, jeśli wyrób ten czyści się w regularnych odstępach czasu.



ZAGROŻENIE:

Przed konserwacją i czyszczeniem, odłącz piekarnik od sieci.
Grozi to porażeniem elektrycznym!



ZAGROŻENIE:

Przed czyszczeniem piekarnika odczekaj, aż ostygnie.
Można się poparzyć od gorących powierzchni!

- Po każdym użyciu dokładnie oczyść ten wyrób. Dzięki temu łatwiej będzie usuwać pozostałości pieczenia, unikając tym samym ich zapalenia się na następnym użyciu piekarnika.
- Do jego czyszczenia nie potrzeba żadnych specjalnych środków czyszczących. Wyrób ten czyści się miękką ściereczką lub gąbką i ciepłą wodą z mydłem w płynie, i wyciera suchą ściereczką.
- Pamiętaj, aby zawsze starannie wycierać nadmiar płynu po czyszczeniu i natychmiast wycierać wszystko, co się rozleje.
- Do czyszczenia powierzchni i klamki ze stali nierdzewnej nie używaj środków czyszczących zawierających kwas lub chlorek. Części te wyciera się do czysta miękką ściereczką z detergentem w płynie (nie w proszku), najlepiej ruchami w tym samym kierunku.



Pewne detergenty lub środki czyszczące mogą uszkodzić powierzchnię.
Nie używaj agresywnych detergentów, proszku/mleczka do czyszczenia, ani żadnych ostrych przedmiotów.



Do czyszczenia tego urządzenia nie używaj urządzeń parowych, ponieważ może to spowodować porażenie prądem.

Czyszczenie panelu sterowania

Panel sterowania i pokręta czyści się wilgotną ściereczką i wyciera do sucha.

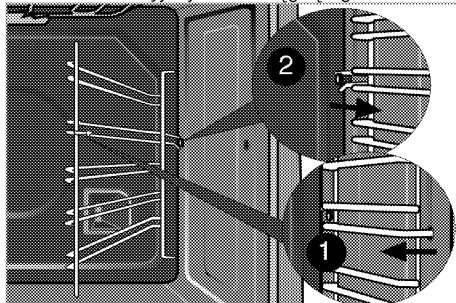


Nie zdejmuj przycisków/pokręteł do czyszczenia panelu sterowania.
Możesz uszkodzić panel sterowania!

Czyszczenie piekarnika

Aby oczyścić ścianę boczną

1. Wyjmij przednią sekcję stelaża bocznego wyciągając go w przeciwnym kierunku do ściany bocznej.
2. Całkiem wyjmij stelaż ciągnąc go do siebie.



Ściany katalityczne

Ściany boczne, lub tylko sciana tylna, wewnątrz piekarnika mogą być pokryte emalią katalityczną. Tych katalitycznych ścian piekarnika nie trzeba czyścić. Porowata powierzchnia tych ścian czyści się sama pochłaniając i przekształcając odpryski tłuszczu (na parę i dwutlenek węgla).

Czyszczenie drzwiczek piekarnika

Drzwiczki piekarnika czyści się miękką ściereczką lub gąbką i ciepłą wodą z mydłem w płynie, i wyciera suchą ściereczką.

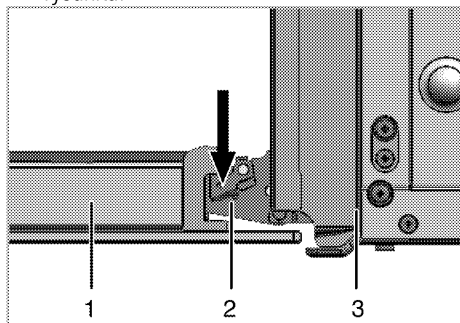


Do czyszczenia drzwiczek piekarnika nie używaj żadnych szorstkich środków czyszczących ani skrobaczek metalowych.
Mogą porysować powierzchnię i zniszczyć szybę.

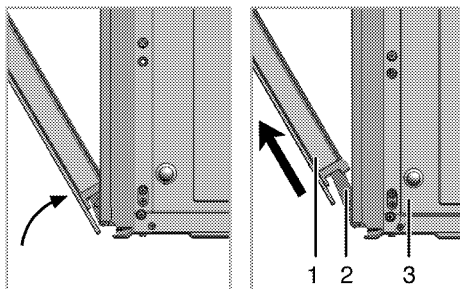
Przenoszenie drzwiczek piekarnika.

1. Otwórz drzwiczki przednie (1).
2. Otwórz zacisk w obudowie zawiasu (2) po prawej i lewej stronach drzwiczek przednich

przyciskając je ku dołowi, jak pokazano na rysunku.



- 1 Drzwiczki przednie
- 2 Zawias
- 3 Piekarnik



3. Przesuń drzwiczki przednie w pół drogi.
4. Zdejmij drzwiczki przednie ciągnąc je ku górze aby uwolnić je z prawych i lewych zawiasów.

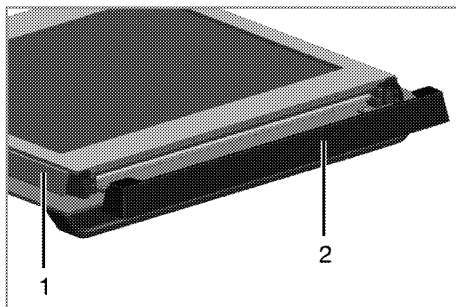


Kroki procesu wyjmowania drzwiczek powtarza się w odwrotnej kolejności przy ich zakładaniu. Przy zakładaniu drzwi z powrotem nie zapomnij zamknąć zacisk w obudowie zawiasu.

Wycinanie szyby w drzwiczkach

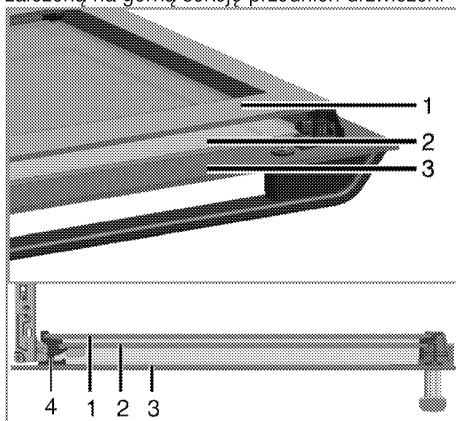
Szklaną szybę z drzwiczek piekarnika można wyjąć do czyszczenia.

Otwórz drzwiczki.



- 1 Rama
- 2 Część plastikowa

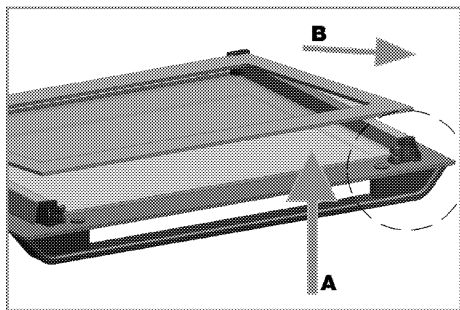
Pociągnij ku sobie i wyjmij część plastikową założoną na górną sekcję przednich drzwiczek.



- 1 Szyba wewnętrzna
- 2 Szyba wewnętrzna
- 3 Szyba zewnętrzna
- 4 Plastikowa szczelina na szybę - Dolna

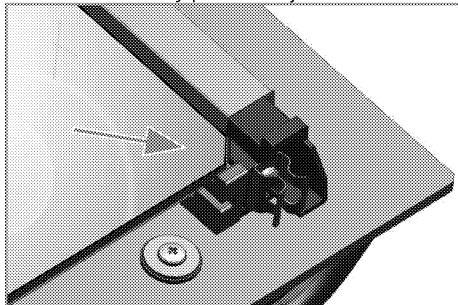
Jak pokazano na ilustracji, podnieś lekko szybę wewnętrzną (1) w kierunku A i wyciągnij ją w kierunku B.

Powtórz tę czynność, aby wyjąć szybę wewnętrzną (2).



Pierwszy krok do przegrupowania drzwiczek polega na ponownym założeniu szyby wewnętrznej (2).

Jak pokazano na rysunku, włóż sfazowany narożnik szyby tak, aby spoczywała w fazowanym narożniku szczeliny plastikowej.



Druga szyba wewnętrzna (2) musi być założona w szczelinę plastikową blisko szyby wewnętrznej (1). Zakładając szybę wewnętrzną (1), upewnij się, że jej strona z nadrukiem zwrócona jest ku szybie drugiej.

Ważne jest, aby wsadzić dolne narożniki wszystkich szyb wewnętrznych w dolne szczeliny plastikowe.

Naciśnij część plastikową ku ramie, aż usłyszysz kliknięcie.

Wymiana lampki w piekarniku



ZAGROŻENIE:

Aby uniknąć zagrożenia porażeniem elektrycznym, zanim wymienisz lampkę upewnij się, że piekarnik jest odłączony od sieci zasilającej i że ostygł. Można się poparzyć od gorących powierzchni!



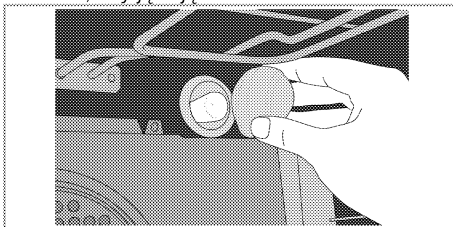
Lampka w piekarniku to specjalna żarówka odporna na temperatury do 300 °C. Patrz *Dane techniczne, strona 11*, w których podano szczegóły. Lampki do piekarnika można nabyć u autoryzowanego przedstawiciela serwisu.



Lampka może być umieszczona gdzie indziej niż na rysunku.

Jeśli w piekarniku jest lampka okrągła:

1. Odłącz piekarnik od sieci zasilającej.
2. Odkręć szklaną pokrywę, przekręcając ją w lewo, aby ją zdjąć.



3. Wymij lampkę z piekarnika przekręcając ją w lewo i wymień ją na nową.
4. Załóż szklaną pokrywę.

7 Rozwiązywanie problemów

W czasie pracy piekarnik wydziela parę.

- Ulatnianie się pary w trakcie pracy jest normalnym zjawiskiem. >>> *To nie jest awaria.*

Przy nagrzewaniu i studzeniu urządzenia słychać metaliczne odgłosy.

- Podgrzewane części metalowe mogą się rozszerzać i wydawać dźwięki. >>> *To nie jest awaria.*

Produkt nie działa.

- Bezpiecznik uszkodzony lub zadziałał. >>> *Sprawdź bezpieczniki w skrzynce bezpiecznikowej. W razie potrzeby wymień je lub załącz.*
- Piekarnik nie jest przyłączony do (uziemionego) gniazdka. >>> *Sprawdź kontakt wtyczki.*
- Przyciski/pokręta/ klawisze na panelu sterowania nie działają. >>> *Być może założono blokadę przycisków. Prosimy wyłączyć ją. (Patrz: Blokada przycisków, strona 25)*

Nie świeci lampka w piekarniku.

- Lampka w piekarniku jest uszkodzona. >>> *Wymień lampkę w piekarniku.*
- Brak zasilania. >>> *Sprawdź, czy jest prąd. Sprawdź bezpiecznik w skrzynce bezpiecznikowej. W razie potrzeby wymień je lub załącz.*

Pieczyk nie grzeje.

- Pokręta funkcji i/lub temperatury nie są ustawione >>> *Ustaw funkcję i temperaturę pokrętłami/klawiszami funkcji i/lub temperatury.*
- W modelach z programatorem czasowym, nie nastawiono programatora >>> *Nastaw zegar. (W produktach z piekarnikiem mikrofalowym, regulator czasowy steruje tylko piekarnikiem mikrofalowym.)*
- Brak zasilania. >>> *Sprawdź, czy jest prąd. Sprawdź bezpiecznik w skrzynce bezpiecznikowej. W razie potrzeby wymień je lub załącz.*

(W modelach z programatorem czasowym) Wyświetlacz zegara miga lub pali się symbol zegara.

- Poprzednio nastąpił zanik zasilania. >>> *Nastaw zegar/ Wyłącz piekarnik i ponownie załącz go.*



Jeśli pomimo postępowania według instrukcji z tego rozdziału problem pozostaje, skonsultuj się z autoryzowanym agentem serwisowym lub sprzedawcą piekarnika. Nie próbuj samemu naprawiać zepsutego piekarnika.

BEKO S.A., ul. Cybernetyki 7B, 02-677 Warszawa
www.beko.com.pl e-mail: serwis@beko.com.pl, fax 22 321 0 691

INFOLINIA 222 50 14 14



Podpis i pieczęć instalatora (z numerem uprawnienia) w przypadku montażu urządzeń gazowych lub płyt i piekarników elektrycznych

Aby otrzymać więcej informacji dotyczących serwisu np. gdzie kupić części zamienne lub akcesoria należy odwiedzić stronę internetową www.beko.com.pl i wybrać zakładkę serwis.

Proszę zarejestrować swoje urządzenie na www.beko.com.pl, a otrzymasz dodatkowe korzyści (szczegóły na stronie internetowej)

Warunki Gwarancji

1. **BEKO S.A.** gwarantuje, że sprzęt zakupiony jest wolny od wad fizycznych. Odpowiedzialność **BEKO S.A.** z tytułu gwarancji obejmuje tylko wady sprzętu powstałe z przyczyn tkwiących w sprzęcie sprzedanym Klientowi, które ujawnią się w ciągu terminu określonego w punkcie 2 niniejszych warunków (zwanego dalej „**Okresem Gwarancyjnym**”).

W razie ujawnienia takich wad sprzętu w Okresie Gwarancyjnym zostaną one usunięte na koszt **BEKO S.A.** w sposób uzależniony od właściwości wady, na zasadach i w zakresie określonym w niniejszych warunkach.

2. Okres gwarancji wynosi **24 miesiące** licząc od daty zakupu.

Udzielona gwarancja nie obejmuje urządzeń zakupionych później niż 36 miesięcy licząc od daty produkcji sprzętu zgodnie z numerem seryjnym znajdującym się na tabliczce znamionowej urządzenia.

3. Zakres i sposób przeprowadzenia naprawy gwarancyjnej sprzętu lub jego wymiany w ramach udzielonej gwarancji określa **BEKO S.A.**

4. Udzielona Gwarancja jest ważna na terenie Rzeczypospolitej Polskiej. Uprawnienia wynikające z gwarancji można zrealizować wyłącznie w Autoryzowanych Punktach Serwisowych **BEKO S.A.** po uprzednim zgłoszeniu na Infolinii **BEKO S.A.**

5. Wady powstałe z przyczyn tkwiących w sprzedanym sprzęcie ujawnione w Okresie Gwarancyjnym, będą usuwane na podstawie ważnego dowodu zakupu (faktura lub paragon) oraz w wymaganych przypadkach

stempla instalatora z numerami uprawnień do montażu instalacji gazowych lub elektrycznych (w przypadku podłączenia elektrycznych płyt grzewczych i piekarników).

Sprzęt o wadze do 10 kg zgłaszający wadę fizyczną Klient powinien dostarczyć do Autoryzowanego Serwisu BEKO S.A. po uprzednim telefonicznym kontakcie z infolinią BEKO S.A. wraz z dowodem zakupu oraz w oryginalnym opakowaniu fabrycznym.

Sprzęt do zabudowy powinien być udostępniony do naprawy przez klienta lub sprzedawcę w sposób umożliwiający przystąpienie do jego naprawy przez pracowników Autoryzowanego serwisu BEKO S.A.

Wady fizyczne sprzętu sprzedanego Klientowi będą usuwane w następujących terminach:

– 14 dni od daty dostarczenia sprzętu do Autoryzowanego Serwisu BEKO S.A. (w przypadku sprzętu o wadze do 10 kg),

– 21 dni licząc od daty telefonicznego zgłoszenia na infolinię BEKO S.A. wady fizycznej sprzętu, nieobjętego obowiązkiem dostarczenia do Autoryzowanego punktu serwisowego BEKO S.A.

6. Jeżeli wymieniona w ramach uprawnień wynikających z udzielonej gwarancji część jest sprowadzana z zagranicy, termin naprawy nie powinien przekroczyć 30 dni licząc od daty zgłoszenia. Przekroczenie terminu 30 dni naprawy dopuszczane jest przez BEKO S.A. jedynie w sytuacji, gdy usterka nie wpływa na poprawność funkcjonowania sprzętu.

7. Sprzęt jest przeznaczony wyłącznie do eksploatacji w warunkach indywidualnego gospodarstwa domowego pod rygorem utraty uprawnień wynikających z gwarancji. Użytkowanie sprzętu winno odbywać się zgodnie z instrukcją obsługi.

8. Udzielona przez BEKO S.A. gwarancja nie obejmuje:

a) Czynności przewidzianych w instrukcji obsługi do wykonania których zobowiązany jest użytkownik urządzenia we własnym zakresie i na swój koszt m. in. : instruktażu dotyczącego obsługi urządzenia, instalacji i podłączenia sprzętu, konserwacji, wymiany bezpieczników, żarówek przygotowania instalacji elektrycznej oraz regulacji urządzenia gazowego (w tym ustawienia płomienia oszczędnościowego palników) wymiana dysz, itp.

b) usterek powstałych w wyniku nieprawidłowego lub niewłaściwego użytkowania, niedbalstwa, przypadkowego uszkodzenia sprzętu, nieodpowiedniego napięcia prądu lub dokonania jakichkolwiek zmian, które mają wpływ na niewłaściwe działanie urządzenia i które naprawiane były przez osoby nieupoważnione, używania instalacji niezgodnych z Polskimi Normami i innych niż wymienione w instrukcji obsługi sprzętu.

c) uszkodzeń mechanicznych, termicznych, chemicznych, korozji oraz wszystkich innych spowodowanych działaniem użytkownika lub zaniedbaniem użytkownika sprzętu oraz powstałych na skutek działania sił zewnętrznych (w szczególności wyładowania atmosferyczne, skoki napięcia, wszelkiego rodzaju awarie domowej instalacji wodno-kanalizacyjnej, użytkowanie sprzętu niezgodnie z instrukcją obsługi itp) a także powstałych na skutek przedostania się zanieczyszczeń lub ciał obcych do sprzętu,

d) nie podlegają gwarancji elementy ze szkła i plastiku oraz odbarwienia,

e) usterek powstałych w wyniku niewłaściwego montażu sprzętu w zabudowie meblowej.

f) usterek powstałych na skutek przechowywania i użytkowania urządzenia w warunkach, które są niezgodne z normalnymi warunkami domowymi określonymi wymaganiami powszechnie obowiązujących przepisów prawa i Polskich Norm.

9. Koszt wezwania serwisu do wykonania czynności wymienionych w punkcie 8 ponosi użytkownik.

10. Gwarancja na sprzedany towar konsumpcyjny nie wyłącza, nie ogranicza ani nie zawiesza uprawnień kupującego wynikających z niezgodności towaru z umową.

