

HISG 64225 S

Built-in Hob

User manual

Płyta kuchenna do zabudowy

Instrukcja użytkowania

Please read this user manual first!

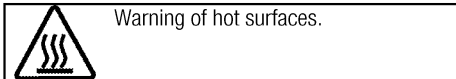
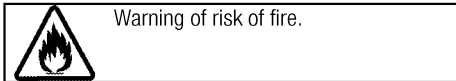
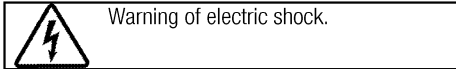
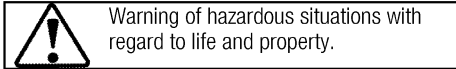
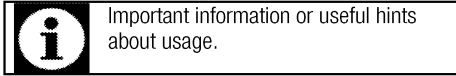
Dear Customer,

Thank you for purchasing this Beko product. We hope that you get the best results from your product which has been manufactured with high quality and state-of-the-art technology. Therefore, please read this entire user manual and all other accompanying documents carefully before using the product and keep it as a reference for future use. If you handover the product to someone else, give the user manual as well. Follow all warnings and information in the user manual.

Remember that this user manual is also applicable for several other models. Differences between models will be identified in the manual.

Explanation of symbols

Throughout this user manual the following symbols are used:



Arçelik A.Ş.

Karaağaç caddesi No:2-6
34445 Sütlüce/İstanbul/TURKEY

Made in TURKEY

CE

TABLE OF CONTENTS

1 Important instructions and warnings for safety and environment 4

General safety.....	4
Safety when working with gas.....	4
Electrical safety.....	5
Product safety.....	6
Intended use.....	7
Safety for children.....	7
Disposing of the old product.....	7
Package information.....	8

2 General information 9

Overview.....	9
Technical specifications.....	10
Injector table.....	10

3 Installation 11

Before installation.....	11
Installation and connection.....	12
Gas conversion.....	13

Future Transportation.....	14
----------------------------	----

4 Preparation 15

Tips for saving energy.....	15
Initial use.....	15
First cleaning of the appliance.....	15

5 How to use the hob 16

General information about cooking.....	16
Using the hobs.....	16

6 Maintenance and care 18

General information.....	18
Cleaning the hob.....	18
Cleaning the control panel.....	19

7 Troubleshooting 20

1 Important instructions and warnings for safety and environment

This section contains safety instructions that will help protect from risk of personal injury or property damage. Failure to follow these instructions shall void any warranty.

General safety

- This appliance can be used by children aged from 8 years and above and persons with reduced physical, sensory or mental capabilities or lack of experience and knowledge if they have been given supervision or instruction concerning use of the appliance in a safe way and understand the hazards involved.

Children shall not play with the appliance. Cleaning and user maintenance shall not be made by children without supervision.

- Installation and repair procedures must always be performed by Authorized Service Agents. The manufacturer shall not be held responsible for damages arising from procedures carried out by unauthorized persons which may also void the warranty. Before installation, read the instructions carefully.
- Do not operate the product if it is defective or has any visible damage.

- Control that the product function knobs are switched off after every use.

Safety when working with gas

- Any works on gas equipment and systems may only be carried out by authorised qualified persons who are Gas Safe registered.
- Prior to the installation, ensure that the local distribution conditions (nature of the gas and gas pressure) and the adjustment of the appliance are compatible.
- This appliance is not connected to a combustion products or evacuation device. It shall be installed and connected in accordance with current installation regulations. Particular attention shall be given to the relevant requirements regarding ventilation; See *Before installation, page 11*
- The use of gas cooking appliance results in the production of heat and moisture in the room in which it is installed. Ensure that the kitchen is well ventilated: keep natural ventilation holes open or install a mechanical ventilation device (mechanical extractor hood). Prolonged intensive use of the appliance may call for

additional ventilation, for example increasing the level of the mechanical ventilation where present.

- Gas appliances and systems must be regularly checked for proper functioning. Regulator, hose and its clamp must be checked regularly and replaced within the periods recommended by its manufacturer or when necessary.
- Clean the gas burners regularly. The flames should be blue and burn evenly.
- Good combustion is required in gas appliances. In case of incomplete combustion, carbon monoxide (CO) might develop. Carbon monoxide is a colourless, odourless and very toxic gas, which has a lethal effect even in very small doses.
- Request information about gas emergency telephone numbers and safety measures in case of gas smell from you local gas provider.

What to do when you smell gas

- Do not use open flame or do not smoke. Do not operate any electrical buttons (e.g. lamp button, door bell and etc.) Do not use fixed or mobile phones. Risk of explosion and toxication!
- Open doors and windows.
- Turn off all valves on gas appliances and gas meter at the main control valve, unless it's in a confined space or cellar.
- Check all tubes and connections for tightness. If you still smell gas leave the property.
- Warn the neighbours.
- Call the fire-brigade. Use a telephone outside the house.
- Do not re-enter the property until you are told it is safe to do so.

Electrical safety

- If the product has a failure, it should not be operated unless it is repaired by the Authorized Service Agent. There is the risk of electric shock!
- Only connect the product to a grounded outlet/line with the voltage and protection as specified in the "Technical specifications". Have the grounding installation made by a qualified electrician while using the product with or without a transformer. Our company shall not be liable for any problems arising due to the product not being earthed in accordance with the local regulations.
- Never wash the product by spreading or pouring water onto it! There is the risk of electric shock!
- Never touch the plug with wet hands! Never unplug by pulling on

the cable, always pull out by grabbing the plug.

- The product must be unplugged during installation, maintenance, cleaning and repairing procedures.
- If the power connection cable for the product is damaged, it must be replaced by the manufacturer, its service agent or similiary qualified persons in order to avoid a hazard.
- The appliance must be installed so that it can be completely disconnected from the network. The separation must be provided either by a mains plug, or a switch built into the fixed electrical installation, according to construction regulations.
- Any work on electrical equipment and systems should only be carried out by authorized and qualified persons.
- In case of any damage, switch off the product and disconnect it from the mains. To do this, turn off the fuse at home.
- Make sure that fuse rating is compatible with the product.

Product safety

- The appliance and its accessible parts become hot during use. Care should be taken to avoid touching heating elements. Children less than 8 years of age

shall be kept away unless continuously supervised.

- Never use the product when your judgment or coordination is impaired by the use of alcohol and/or drugs.
- Be careful when using alcoholic drinks in your dishes. Alcohol evaporates at high temperatures and may cause fire since it can ignite when it comes into contact with hot surfaces.
- Do not place any flammable materials close to the product as the sides may become hot during use.
- Keep all ventilation slots clear of obstructions.
- Do not use steam cleaners to clean the appliance as this may cause an electric shock.
- Unattended cooking on a hob with fat or oil can be dangerous and may result in fire. NEVER try to extinguish a fire with water, but switch off the appliance and then cover flame e.g. with a lid or a fire blanket.
- Danger of fire: Do not store items on the cooking surfaces.
- If the surface is cracked, switch off the appliance to avoid the possibility of electric shock.

For the reliability of the fire of the product;

- Make sure the plug is fitting to socket as well for not cause to spark.
- Do not use damaged or cutted or extension cable except the original cable.
- Make sure that not whether liquid or moisture on the socket is plugged to product .
- Make sure your gas connection is installed as well for not cause the gas leakage.

Intended use

- This product is designed for domestic use. Commercial use will void the guarantee.
- This appliance is for cooking purposes only. It must not be used for other purposes, for example room heating.
- The manufacturer shall not be liable for any damage caused by improper use or handling errors.

Safety for children

- Accessible parts may become hot during use. Young children should be kept away.
- The packaging materials will be dangerous for children. Keep the packaging materials away from children. Please dispose of all parts of the packaging according to environmental standards.

- Electrical and/or gas products are dangerous to children. Keep children away from the product when it is operating and do not allow them to play with the product.
- Do not place any items above the appliance that children may reach for.

Disposing of the old product

Compliance with the WEEE Directive and Disposing of the Waste Product:



This product complies with EU WEEE Directive (2012/19/EU). This product bears a classification symbol for waste electrical and electronic equipment (WEEE).

This product has been manufactured with high quality parts and materials which can be reused and are suitable for recycling. Do not dispose of the waste product with normal domestic and other wastes at the end of its service life. Take it to the collection center for the recycling of electrical and electronic equipment. Please consult your local authorities to learn about these collection centers.

Compliance with RoHS Directive:

The product you have purchased complies with EU RoHS Directive (2011/65/EU). It does not contain

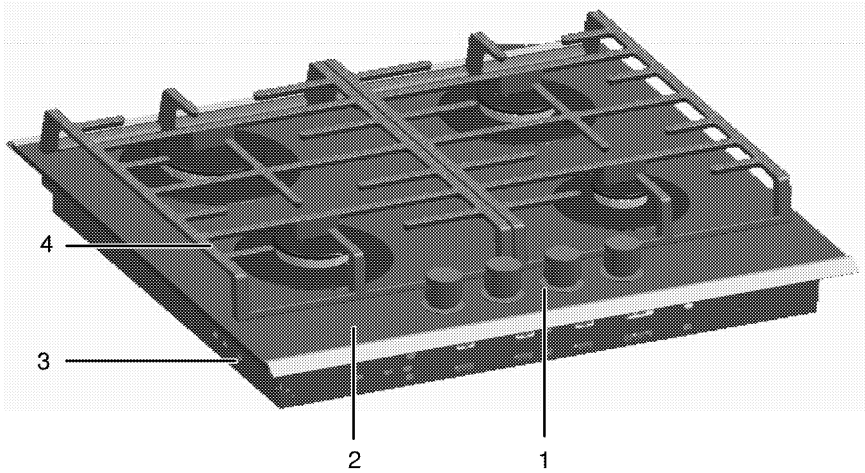
harmful and prohibited materials specified in the Directive.

Package information

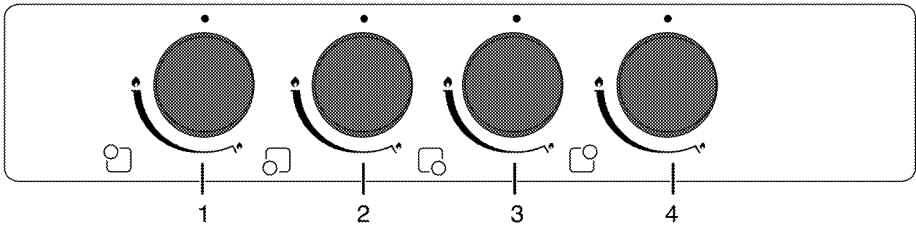
- Packaging materials of the product are manufactured from recyclable materials in accordance with our National Environment Regulations. Do not dispose of the packaging materials together with the domestic or other wastes. Take them to the packaging material collection points designated by the local authorities.

2 General information

Overview



- | | | | |
|---|----------------|---|-------------|
| 1 | Control panel | 3 | Base cover |
| 2 | Tempered glass | 4 | Pan support |



- | | | | |
|---|--------------------------|---|------------------------------|
| 1 | Rapid burner Rear left | 3 | Auxiliary burner Front right |
| 2 | Normal burner Front left | 4 | Normal burner Rear right |

Technical specifications

Voltage / frequency	220-230 V ~ 50 Hz
Cable type / section	H05RR-FG 3 x 0,75 mm ²
Cable length	max. 2 m
Category of gas product	Kat II 2ELs3B/P
Gas type / pressure	2E (G20) /20 mbar
Total gas consumption	7.4 kW
Converting the gas type / pressure ^S	2Ls (G2.350)/13 mbar
— optional	3B/P (30)/37 mbar
External dimensions (height / width / depth)	84 mm/580 mm/510 mm
Installation dimensions (width / depth)	560 mm/480-490 mm
Burners	
Rear left	Rapid burner
Power	2900 W
Front left	Normal burner
Power	1750 W
Front right	Auxiliary burner
Power	1000 W
Rear right	Normal burner
Power	1750 W



Technical specifications may be changed without prior notice to improve the quality of the product.



Values stated on the product labels or in the documentation accompanying it are obtained in laboratory conditions in accordance with relevant standards. Depending on operational and environmental conditions of the product, these values may vary.



Figures in this manual are schematic and may not exactly match your product.

Injector table

Position hob zone	2900 W Rear left	1750 W Front left	1000 W Front right	1750 W Rear right
Gas type / Gas pressure				
2E (G20) /20 mbar	115	97	72	97
3B/P (30)/37 mbar	80	65	47	65
2Ls (G2.350)/13 mbar	165	128	95	128

3 Installation



Preparation of location and electrical and gas installation for the product is under customer's responsibility.



DANGER:

The product must be installed in accordance with all local gas and/or electrical regulations.



DANGER:

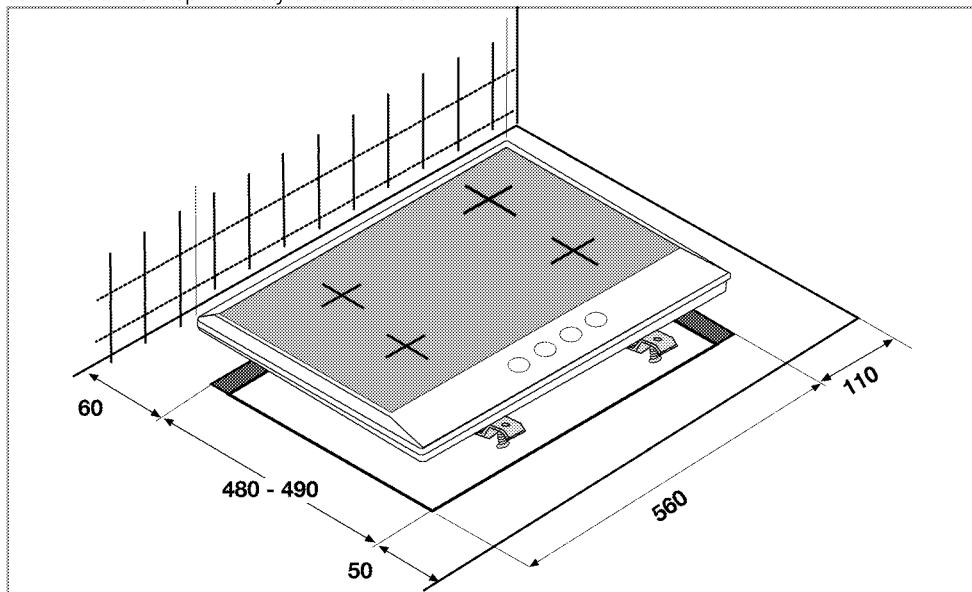
Prior to installation, visually check if the product has any defects on it. If so, do not have it installed.
Damaged products cause risks for your safety.

left between the appliance and the kitchen walls and furniture. See figure (values in mm).

- It can also be used in a free standing position. Allow a minimum distance of 750 mm above the hob surface.
- (*) If a cooker hood is to be installed above the cooker, refer to cooker hood manufacturer' instructions regarding installation height (min 650 mm)
- Remove packaging materials and transport locks.
- Surfaces, synthetic laminates and adhesives used must be heat resistant (100 °C minimum).
- The worktop must be aligned and fixed horizontally.
- Cut aperture for the hob in worktop as per installation dimensions.

Before installation

The hob is designed for installation in a commercial worktop. A safety distance must be



Room ventilation

All rooms require an openable window, or equivalent, and some rooms will require a permanent vent as well.

The air for combustion is taken from the room air and the exhaust gases are emitted directly into the room.

Good room ventilation is essential for safe operation of your appliance. If there is no window or door available for room ventilation, an extra ventilation must be installed.

The appliance may be located in a kitchen, kitchen/diner or a bed-sitting room, but not in a room containing a bath or shower. The appliance must not be installed in a bed-sitting room of less than 20m³.

Do not install this appliance in a room below ground level unless it is open to ground level on at least one side.


Room size	Ventilation opening
smaller than 5 m ³	min. 100 cm ²
5 m ³ to 10 m ³	min. 50 cm ²
greater than 10 m ³ , den	not required
In the cellar or basement	min. 65 cm ²

Installation and connection


- Product can only be installed and connected in accordance with the statutory installation rules.

Electrical connection

Connect the product to a grounded outlet/line protected by a fuse of suitable capacity as stated in the "Technical specifications" table. Have the grounding installation made by a qualified electrician while using the product with or without a transformer. Our company shall not be liable for any damages that will arise due to using the product without a grounding installation in accordance with the local regulations.




DANGER:
The product must be connected to the mains supply only by an authorised and qualified person. The product's warranty period starts only after correct installation.
Manufacturer shall not be held responsible for damages arising from procedures carried out by unauthorised persons.




DANGER:
The power cable must not be clamped, bent or trapped or come into contact with hot parts of the product.
A damaged power cable must be replaced by a qualified electrician. Otherwise, there is risk of electric shock, short circuit or fire!

- Connection must comply with national regulations.
- The mains supply data must correspond to the data specified on the type label of the product. Type label is at the rear housing of the product.
- Power cable of your product must comply with the values in "Technical specifications" table.




DANGER:
Before starting any work on the electrical installation, disconnect the product from the mains supply.
There is the risk of electric shock!



Power cable plug must be within easy reach after installation (do not route it above the hob).

Plug the power cable into the socket.

Gas connection



DANGER:
Product can be connected to gas supply system only by an authorised and qualified person.
Risk of explosion or toxication due to unprofessional repairs!
Manufacturer shall not be held responsible for damages arising from procedures carried out by unauthorised persons.



DANGER:
Before starting any work on the gas installation, disconnect the gas supply.
There is the risk of explosion!

- Gas adjustment conditions and values are stated on labels (or ion type label).



Your product is equipped for natural gas (NG).

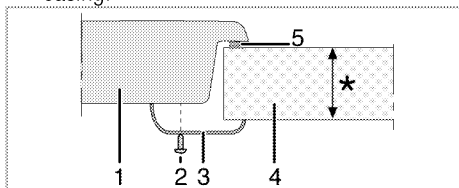
- Natural gas installation must be prepared before installing the product.
- There must be a flex pipe at the outlet of the installation for the natural gas connection of your product and the tip of this pipe must be closed with a blind plug. Service Representative will remove the blind plug during connection and connect your product by means of a straight connection device (coupling).
- Make sure that the natural gas valve is readily accessible.
- If you need to use your product later with a different type of gas, you must consult the Authorised Service Agent for the related conversion procedure.

Installing the product

1. The sealing gasket provided in the package must be applied on the lower casing bend around the hob as shown in the figure, during installation of the hob.



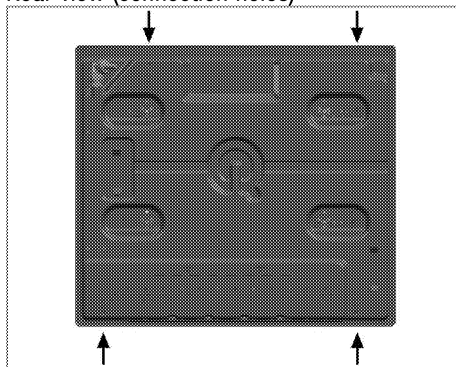
2. Place the hob on the counter and align it.
3. Using the installation clamps secure the hob by fitting through the holes on the lower casing.



* min. 20 & max. 40 mm

- 1 Hob
- 2 Screw
- 3 Installation clamp
- 4 Counter
- 5 Sealing gasket

Rear view (connection holes)



Place the burner plates, burner plate caps and grills back to their seating after installation.



Making connections to different holes is not a good practice in terms of safety since it can damage the gas and electrical system.

Final check

1. Open gas supply.
2. Check gas installations for secure fitting and tightness.
3. Ignite burners and check appearance of the flame.



Flame must be blue and have a regular shape. If the flame is yellowish, check if the burner cap is seated securely or clean the burner.

Gas conversion



DANGER:

Before starting any work on the gas installation, disconnect the gas supply. There is the risk of explosion!

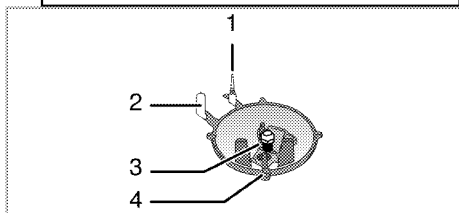
In order to change your appliance's gas type, change all injectors and make flame adjustment for all valves at reduced flow rate position.

Exchange of injector for the burners

1. Take off burner cap and burner body.
2. Unscrew injectors by turning the counter-clockwise.
3. Fit new injectors.
4. Check all connections for secure fitting and tightness.



New injectors have their position marked on their packing or injector table on *Injector table, page 10* can be referred to.



- 1 Flame failure device (model dependant)
- 2 Spark plug
- 3 Injector
- 4 Burner

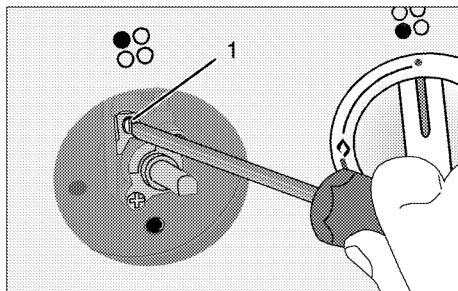


Unless there is an abnormal condition, do not attempt to remove the gas burner taps. You must call an Authorised service agent if it is necessary to change the taps.

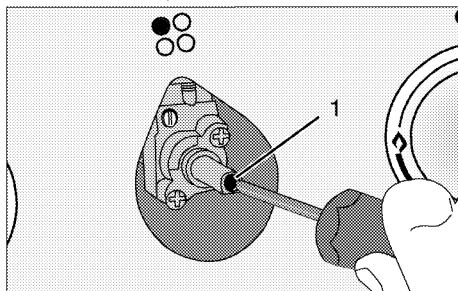
Reduced gas flow rate setting for hob taps

1. Ignite the burner that is to be adjusted and turn the knob to the reduced position.
 2. Remove the knob from the gas tap.
 3. Use an appropriately sized screwdriver to adjust the flow rate adjustment screw.
- For LPG (Butane - Propane) turn the screw clockwise. For the natural gas, you should turn the screw **counter-clockwise** once.
- » The normal length of a straight flame in the reduced position should be 6-7 mm.
4. If the flame is higher than the desired position, turn the screw clockwise. If it is smaller turn anticlockwise.
 5. For the last control, bring the burner both to high-flame and reduced positions and check whether the flame is on or off.

Depending on the type of gas tap used in your appliance the adjustment screw position may vary.



1 Flow rate adjustment screw



1 Flow rate adjustment screw



If the gas type of the unit is changed, then the rating plate that shows the gas type of the unit must also be changed.

Future Transportation

- Keep the product's original carton and transport the product in it. Follow the instructions on the carton. If you do not have the original carton, pack the product in bubble wrap or thick cardboard and tape it securely.
- Secure the caps and pan supports with adhesive tape.



Check the general appearance of your product for any damages that might have occurred during transportation.

4 Preparation

Tips for saving energy

The following information will help you to use your appliance in an ecological way, and to save energy:

- Defrost frozen dishes before cooking them.
- Use pots/pans with cover for cooking. If there is no cover, energy consumption may increase 4 times.
- Select the burner which is suitable for the bottom size of the pot to be used. Always select the correct pot size for your dishes. Larger pots require more energy.

Initial use

First cleaning of the appliance



The surface might get damaged by some detergents or cleaning materials.

Do not use aggressive detergents, cleaning powders/creams or any sharp objects during cleaning.

Do not use harsh abrasive cleaners or sharp metal scrapers to clean the oven door glass since they can scratch the surface, which may result in shattering of the glass.

1. Remove all packaging materials.
2. Wipe the surfaces of the appliance with a damp cloth or sponge and dry with a cloth.

5 How to use the hob

General information about cooking



Never fill the pan with oil more than one third of it. Do not leave the hob unattended when heating oil. Overheated oils bring risk of fire. **Never attempt to extinguish a possible fire with water!** When oil catches fire, cover it with a fire blanket or damp cloth. Turn off the hob if it is safe to do so and call the fire department.

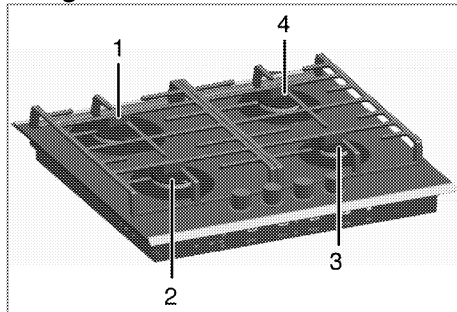
- Before frying foods, always dry them well and gently place into the hot oil. Ensure complete thawing of frozen foods before frying.
- Do not cover the vessel you use when heating oil.
- Place the pans and saucepans in a manner so that their handles are not over the hob to prevent heating of the handles. Do not place unbalanced and easily tilting vessels on the hob.
- Do not place empty vessels and saucepans on cooking zones that are switched on. They might get damaged.
- Operating a cooking zone without a vessel or saucepan on it will cause damage to the product. Turn off the cooking zones after the cooking is complete.
- As the surface of the product can be hot, do not put plastic and aluminum vessels on it. Such vessels should not be used to keep foods either.
- Use flat bottomed saucepans or vessels only.
- Put appropriate amount of food in saucepans and pans. Thus, you will not have to make any unnecessary cleaning by preventing the dishes from overflowing. Do not put covers of saucepans or pans on cooking zones.
Place the saucepans in a manner so that they are centered on the cooking zone.
When you want to move the saucepan onto another cooking zone, lift and place it onto

the cooking zone you want instead of sliding it.

Gas cooking

- Size of the vessel and the flame must match each other. Adjust the gas flames so that they will not extend the bottom of the vessel and center the vessel on saucepan carrier.

Using the hobs



- 1 Rapid burner 20-26 cm
- 2 Normal burner 14-20 cm
- 3 Auxiliary burner 12-18cm
- 4 Normal burner 14-20 cm is list of advised diameter of pots to be used on related burners.

Large flame symbol indicates the highest cooking power and small flame symbol indicates the lowest cooking symbol. In turned off position (top), gas is not supplied to the burners.

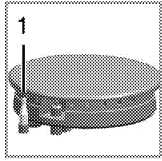
Igniting the gas burners

1. Keep burner knob pressed.
2. Turn it counter clockwise to large flame symbol.
» Gas is ignited with the spark created.
3. Adjust it to the desired cooking power.

Turning off the gas burners

Turn the keep warm zone knob to off (upper) position.

Gas shut off safety system (in models with thermic component)



1. Gas shut off safety

As a counter measure against blow out due to fluid overflows at burners, safety mechanism trips and shuts off the gas.

- Push the knob inwards and turn it counter clockwise to ignite.
- After the gas ignites, keep the knob pressed for 3-5 seconds more to engage the safety system.
- If the gas does not ignite after you press and release the knob, repeat the same procedure by keeping the knob pressed for 15 seconds.



DANGER:

Release the button if the burner is not ignited within 15 seconds.

Wait at least 1 minute before trying again.
There is the risk of gas accumulation and explosion!

6 Maintenance and care

General information

Service life of the product will extend and the possibility of problems will decrease if the product is cleaned at regular intervals.



DANGER:

Disconnect the product from mains supply before starting maintenance and cleaning works.

There is the risk of electric shock!



DANGER:

Allow the product to cool down before you clean it.

Hot surfaces may cause burns!

- Clean the product thoroughly after each use. In this way it will be possible to remove cooking residues more easily, thus avoiding these from burning the next time the appliance is used.
- No special cleaning agents are required for cleaning the product. Use warm water with washing liquid, a soft cloth or sponge to clean the product and wipe it with a dry cloth.
- Always ensure any excess liquid is thoroughly wiped off after cleaning and any spillage is immediately wiped dry.
- Do not use cleaning agents that contain acid or chloride to clean the stainless or inox surfaces and the handle. Use a soft cloth with a liquid detergent (not abrasive) to wipe those parts clean, paying attention to sweep in one direction.



The surface might get damaged by some detergents or cleaning materials.

Do not use aggressive detergents, cleaning powders/creams or any sharp objects during cleaning.

Do not use harsh abrasive cleaners or sharp metal scrapers to clean the oven door glass since they can scratch the surface, which may result in shattering of the glass.



Do not use steam cleaners to clean the appliance as this may cause an electric shock.

Cleaning the hob

Gas hobs

1. Remove and clean the saucepan carriers and burner caps.
2. Clean the hob.
3. Install the burner caps and make sure that they are seated correctly.
4. When installing the upper grills, pay attention to place the saucepan carriers so that the burners are centered.

Glass ceramic surfaces

Wipe the glass ceramic surface using a piece of cloth dampened with cold water in a manner as not to leave any cleaning agent on it. Dry with a soft and dry cloth. Residues may cause damage on the glass ceramic surface when using the hob for the next time.

Dried residues on the glass ceramic surface should under no circumstances be scraped with hook blades, steel wool or similar tools.

Remove calcium stains (yellow stains) by a small amount of lime remover such as vinegar or lemon juice. You can also use suitable commercially available products.

If the surface is heavily soiled, apply the cleaning agent on a sponge and wait until it is absorbed well. Then, clean the surface of the hob with a damp cloth.



Sugar-based foods such as thick cream and syrup must be cleaned promptly without waiting the surface to cool down. Otherwise, glass ceramic surface may be damaged permanently.

Slight color fading may occur on coatings or other surfaces in time. This will not affect operation of the product.

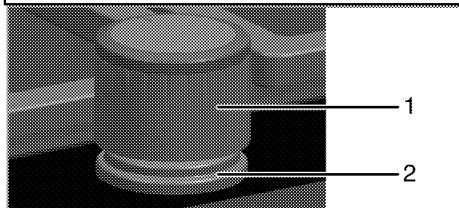
Color fading and stains on the glass ceramic surface is a normal condition, and not a defect.

Cleaning the control panel

Clean the control panel and knobs with a damp cloth and wipe them dry.



Do not remove the control buttons/knobs to clean the control panel.
Control panel may get damaged!



- 1 Knob
- 2 Sealing element



Do not remove the sealing elements under the knobs for cleaning.

7 Troubleshooting

Product emits metal noises while heating and cooling.

- When the metal parts are heated, they may expand and cause noise. >>> *This is not a fault.*

There is no ignition spark.

- No current. >>> *Check fuses in the fuse box.*

There is no gas.

- Main gas valve is closed. >>> *Open gas valve.*
- Gas pipe is bent. >>> *Install gas pipe properly.*

Burners are not burning properly or at all.

- Burners are dirty. >>> *Clean burner components.*
- Burners are wet. >>> *Dry the burner components.*
- Burner cap is not mounted safely. >>> *Mount the burner cap properly.*
- Gas valve is closed. >>> *Open gas valve.*
- Gas cylinder is empty (when using LPG). >>> *Replace gas cylinder.*



Consult the Authorised Service Agent or the dealer where you have purchased the product if you can not remedy the trouble although you have implemented the instructions in this section. Never attempt to repair a defective product yourself.

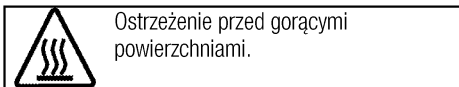
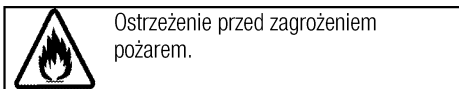
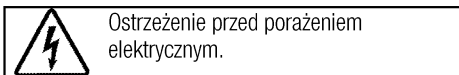
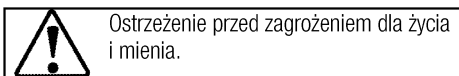
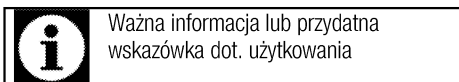
Prosimy najpierw przeczytać tę instrukcję obsługi!

Drogi Kliencie,

Dziękujemy za wybór wyrobu firmy Beko. Mamy nadzieję, że wyrób ten, wyprodukowany zgodnie z najwyższymi wymogami jakościowymi i według najnowszej technologii, służyć Ci będzie jak najlepiej. Prosimy zatem przed użyciem tego wyrobu uważnie przeczytać całą tę instrukcję obsługi i wszystkie inne dostarczone z nim dokumenty i zachować je do wglądu w przyszłości. Jeśli przekażesz ten wyrób komuś innemu, oddajcie mu także tę instrukcję. Przestrzegaj wszelkich ostrzeżeń i informacji z tej instrukcji. Pamiętaj, że niniejsza instrukcja użytkowania może odnosić się także do kilku innych modeli. Różnice pomiędzy modelami wskazano w niniejszej instrukcji.

Objaśnienie symboli

W niniejszej instrukcji użytkowania stosuje się następujące symbole:



Niniejsze urządzenie jest zgodne z następującymi

Dyrektywami Unii Europejskiej:

- 2006/95/WE LVD (Niskie Napięcia)

- 2004/108/WE EMC (Kompatybilność Elektromagnetyczna)

Importer: Beko S.A.

ul. Cybernetyki 7, 02-677 Warszawa



1 Ważne instrukcje i ostrzeżenia
dotyczące bezpieczeństwa i ochrony
środowiska **4**

Ogólne zasady bezpieczeństwa 4
 Bezpieczeństwo przy pracy z gazem 4
 Bezpieczeństwo elektryczne 5
 Zasady zachowania bezpieczeństwa przy
 użytkowaniu tego wyrobu 6
 Zamierzone przeznaczenie 7
 Bezpieczeństwo dzieci 7
 Stare urządzenia 8
 Pozbywanie się materiałów opakowaniowych ... 8

2 Informacje ogólne **9**

Opis urządzenia 9
 Dane techniczne 10
 Tabela wtryskiwacza 10

3 Instalacja **11**

Przed zainstalowaniem 11
 Instalacja i przyłączenie 12

Zmiana rodzaju gazu 14
 Przyszły transport 15

4 Przygotowanie **16**

Jak oszczędzać energię 16
 Pierwszy raz 16
 Pierwsze czyszczenie 16

5 Jak używać płyty kuchennej **17**

Ogólne informacje o gotowaniu 17
 Użytkowanie płyt kuchennych 17

6 Czyszczenie i konserwacja **19**

Informacje ogólne 19
 Oczyszczenie płyty 19
 Czyszczenie panelu sterowania 20

7 Rozwiązywanie problemów **21**

1 Ważne instrukcje i ostrzeżenia dotyczące bezpieczeństwa i ochrony środowiska

W rozdziale tym zawarto instrukcje zachowania bezpieczeństwa, które pomogą uniknąć zagrożenia obrażeniem lub szkodą.

Nieprzestrzeganie tych instrukcji spowoduje unieważnienie wszelkich gwarancji.

Ogólne zasady bezpieczeństwa

- Urządzenie może być używane przez dzieci w wieku 8 lat i starsze oraz osoby o ograniczonych zdolnościach fizycznych, czuciowych lub umysłowych, lub nieumiejętne i niedoświadczone, jeśli są pod nadzorem lub poinstruowano je w sprawach użytkowania tego urządzenia w sposób bezpieczny i rozumieją związane z tym zagrożenia.

Dzieci nie powinny bawić się tym urządzeniem. Dzieciom bez nadzoru nie należy powierzać czyszczenia ani konserwacji.

- Instalacje i naprawy musi zawsze wykonywać autoryzowany pracownik serwisowy. Producent nie odpowiada za szkody wynikłe z instalacji i napraw wykonywanych przez osoby nieupoważnione i może z tego powodu unieważnić gwarancję.

Przed instalacją uważnie przeczytaj tę instrukcję.

- Nie wolno uruchamiać tego wyrobu, jeśli jest niesprawny lub widocznie uszkodzony.
- Po każdym użyciu sprawdź, czy wyłączone zostały pokrętła funkcjonalne.

Bezpieczeństwo przy pracy z gazem

- Wszelkie prace na urządzeniach i instalacjach gazowych mogą być prowadzić wyłącznie autoryzowany i kwalifikowany personel.
- Przed instalacją należy upewnić się, że warunki w miejscowej sieci rozdzielczej (rodzaj i ciśnienia gazu) są kompatybilne z ustawieniami urządzenia.
- Urządzenie to nie jest przyłączone do systemu usuwania produktów spalania. Należy je zainstalować i przyłączyć zgodnie z obowiązującymi przepisami instalacyjnymi. Szczególną uwagę należy zwrócić na odnośne wymogi dotyczące wentylacji; Patrz *Przed zainstalowaniem*, strona 11
- Skutkiem użytkowania kuchenki gazowej jest ciepło, wilgoć oraz produkty spalania w

pomieszczeniu, w którym ją zainstalowano. Należy zapewnić dobre przewietrzanie kuchni, zwłaszcza w czasie użytkowania kuchenki: utrzymywać naturalne otwory drożne lub zainstalować wentylator mechaniczny (okap z wyciągiem mechanicznym). Długotrwałe intensywne użytkowanie tego urządzenia może wymagać dodatkowej wentylacji, np. poprzez zwiększenie poziomu wentylacji mechanicznej tam, gdzie jest obecna.

- Prawidłowe funkcjonowanie urządzeń i systemów gazowych trzeba regularnie kontrolować. Regulator, crevo i njegova stezaljka se moraju redovno proveravati i zameniti u vremenskom roku preporučenom od strane proizvođača ili kada je potrebno.
- Regularnie czyść palniki gazowe. Płomienie powinny być błękitne i powinny palić się równo.
- W urządzeniach gazowych potrzeba dobrego spalania. W razie niecałkowitego spalania może powstawać tlenek węgla (CO). Tlenek węgla jest bezbarwnym, bezwonny i bardzo trującym gazem o skutkach śmiertelnych nawet w bardzo małych dawkach.

- Poproś miejscowego dostawcę gazu o informację o telefonach alarmowych służb gazowych i środkach bezpieczeństwa na wypadek ulatniania się gazu.

Co robić, gdy poczuje się zapach gazu

- Nie używaj otwartego ognia i nie pal tytoniu. Nie używaj żadnych przełączników elektrycznych (np. wyłącznika światła, czy dzwonka u drzwi itd.). Nie używaj telefonu stacjonarnego ani komórkowego. Zagrożenie wybuchem i zatruciem!
- Zamknij wszystkie zawory na urządzeniu gazowym i gazomierzach.
- Otwórz drzwi i okna.
- Sprawdź szczelność wszystkich rur i połączeń. Jeśli nadal czuć gaz, wyjdź z mieszkania.
- Ostrzeż sąsiadów.
- Wezwij straż pożarną. Użyj telefonu poza domem.
- Nie wracajcie na teren nieruchomości, dopóki nie zostanie zapewnione bezpieczeństwo.

Bezpieczeństwo elektryczne

- W razie awarii tego urządzenia nie należy go używać do czasu naprawy przez autoryzowany serwis. Grozi to porażeniem elektrycznym!
- Piekarnik ten można podłączyć tylko do gniazdka z uziemieniem o

napięciu i z zabezpieczeniem jakie podano w "Danych technicznych. Zleć wykonanie instalacji uziemienia wykwalifikowanemu elektrykowi, niezależnie od tego, czy używasz transformatora do zasilania. Firma nasza nie ponosi odpowiedzialności za jakiegokolwiek problemy wynikające z braku uziemienia tego piekarnika zgodnie z miejscowymi przepisami.

- Nie wolno myć piekarnika rozlewając nań wodę! Grozi to porażeniem elektrycznym!
- Nie wolno dotykać wtyczki mokrymi dłońmi. Nie wolno wyciągać wtyczki ciągnąc za przewód, należy ją wyciągnij chwytając za nią samą.
- Piekarnik ten trzeba odłączyć od zasilania na czas instalacji, konserwacji, czyszczenia i napraw.
- Aby uniknąć zagrożenie w przypadku uszkodzenia przewodu zasilającego, musi go wymienić producent, punkt serwisowy lub osoba o podobnych kwalifikacjach.
- Piekarnik należy tak zainstalować, aby można było go całkowicie odłączyć od sieci. Odłączenie to należy zapewnić albo poprzez wyjęcie wtyczki z gniazdka, albo wyłączenie wyłącznika, w który wyposażona jest domowa

instalacja elektryczna, zgodnie z przepisami budowlanymi.

- Wszelkie prace na układach i urządzeniach elektrycznych wykonywać może tylko upoważniony i wykwalifikowany personel.
- W razie jakiegokolwiek awarii wyłącz wyrób i odłącz go od sieci zasilającej. W tym celu wyłącz bezpiecznik zabezpieczający instalację domową.
- Upewnij się, że prąd bezpiecznika jest odpowiedni dla tego wyrobu.

Zasady zachowania bezpieczeństwa przy użytkowaniu tego wyrobu

- Podczas użytkowania urządzenie i jego części są gorące. Nie dotykać nagranych części. Dzieci poniżej 8 lat mogą przebywać w pobliżu urządzenia wyłącznie pod nadzorem osób dorosłych.
- Nigdy nie wolno używać tego wyrobu w stanie zakłócenia oceny sytuacji lub koordynacji przez konsumpcję alkoholu i/lub innych środków odmieniających świadomość.
- Zachowaj ostrożność, jeśli w potrawach stosuje się napoje alkoholowe. W wysokiej temperaturze alkohol paruje i może się zapalić po zetknięciu z gorącymi powierzchniami.

- Nie umieszczaj żadnych materiałów łatwopalnych w pobliżu tego wyrobu, ponieważ jego boki mogą bardzo się nagrzewać przy pracy.
- Należy dbać, aby żaden otwór wentylacyjny nie był zakryty.
- Do czyszczenia tego urządzenia nie używaj urządzeń parowych, ponieważ może to spowodować porażenie prądem.
- Gotowania na kuchenice w tłuszczu lub oleju bez dozoru może być niebezpieczne i może doprowadzić do pożaru. NIE próbuj gasić ognia wodą, ale wyłącz kuchenkę, a następnie stłum płomień, np. pokrywką lub kocem gaśniczym.
- Zagrożenie pożarowe: Nie stawiaj niczego na powierzchniach do gotowania.
- Jeżeli powierzchnia jest pęknięta, wyłączyć kuchenkę, aby uniknąć zagrożenia porażeniem prądem elektrycznym.

Aby uniknąć zagrożenia pożarem przy użytkowaniu tej kuchenki;

- Upewnij się, że wtyczka pasuje do gniazdka i nie powoduje iskrzenia.
- Nie należy używać uszkodzonych ani uciętych przewodów, ani przedłużaczy, a tylko oryginalnego przewodu zasilającego.
- Upewnij się, że gniazdko, do którego włączona jest kuchenka jest suche.
- Upewnij się, że przyłącze gazu zainstalowany jest tak, że nie powoduje wycieku gazu.

Zamierzone przeznaczenie

- Wyrób ten przeznaczony jest do użytku domowego. Nie dopuszcza się użytkowania komercyjnego.
- Urządzenie to służy wyłącznie do pieczenia potraw. Nie wolno używać go do innych celów, na przykład do ogrzewania pomieszczeń."
- Producent nie odpowiada za szkody spowodowane niewłaściwym użytkowaniem tego wyrobu lub obchodzeniem się z nim.

Bezpieczeństwo dzieci

- Dostępne części mogą się nagrzewać podczas użytkowania. Małe dzieci należy trzymać z dala od kuchenki.
- Materiały opakowaniowe mogą być niebezpieczne dla dzieci. Trzymać materiały opakowaniowe z dala od dzieci. Prosimy pozbyć się całego opakowania zgodnie z normami ochrony środowiska.
- Urządzenia elektryczne i/lub gazowe są niebezpieczne dla dzieci. W trakcie pracy tego produktu nie dopuszczać do

przebywania dzieci w jego pobliżu ani do zabawy.

- Nie stawiaj na tym urządzeniu żadnych przedmiotów, po które mogłyby sięgać dzieci.

Stare urządzenia

Zgodność z dyrektywą WEEE i usuwanie odpadów:



Niniejszy wyrób jest zgodny z dyrektywą Parlamentu Europejskiego i Rady (2012/19/WE). Wyrób ten oznaczony jest symbolem klasyfikacji zużytych urządzeń elektrycznych i elektronicznych (WEEE).

Wyrób ten wykonano z części i materiałów wysokiej jakości, które mogą być odzyskane i użyte jako surowce wtórne. Po zakończeniu użytkowania nie należy pozbywać się go razem z innymi odpadkami domowymi. Należy przekazać go do punktu zbiórki urządzeń elektrycznych i elektronicznych na surowce wtórne. Aby dowiedzieć się, gdzie jest

najbliższy taki punkt, prosimy skonsultować się z władzami lokalnymi.

Zgodność z dyrektywą RoHS:

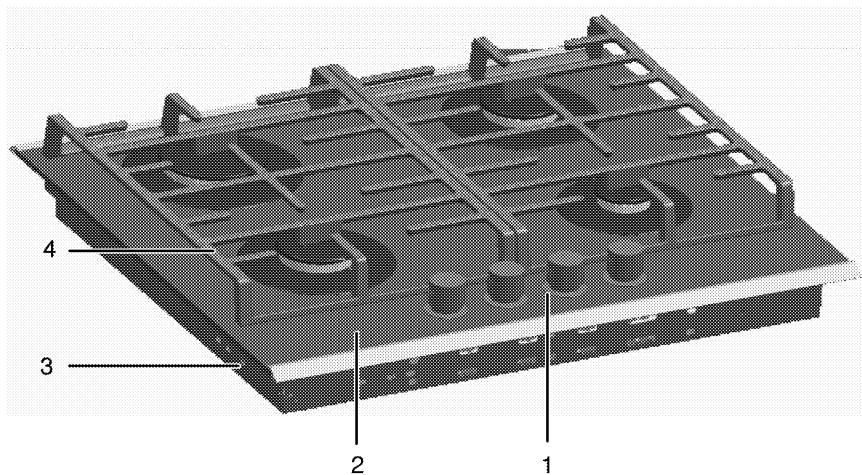
Niniejszy wyrób jest zgodny z dyrektywą Parlamentu Europejskiego i Rady RoHS (Ograniczenie użycia substancji niebezpiecznych) (2011/65/WE). Nie zawiera szkodliwych i zakazanych materiałów, podanych w tej dyrektywie.

Pozbywanie się materiałów opakowaniowych

- Materiały opakowaniowe są niebezpieczne dla dzieci. Należy trzymać je w bezpiecznym miejscu, niedostępne dla dzieci. Opakowanie tego wyrobu wyprodukowano z surowców wtórnych. Należy odpowiednio się ich pozbywać i sortować je zgodnie z instrukcjami gospodarki surowcami wtórnymi. Nie należy ich wyrzucać razem ze zwykłymi odpadkami domowymi.

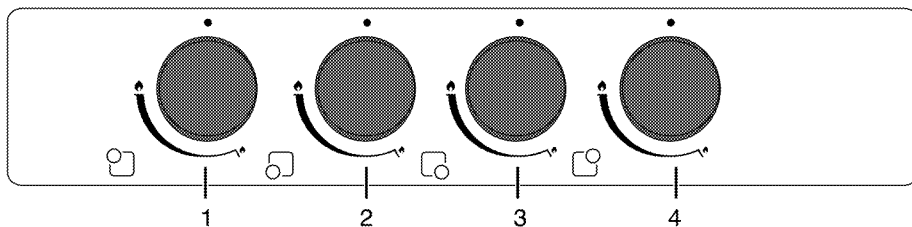
2 Informacje ogólne

Opis urządzenia



- 1 Panel sterowania
- 2 Szkło hartowane

- 3 Pokrywa podstawy
- 4 Podpora garnka



- 1 Palnik szybki Tylny lewy
- 2 Palnik normalny Przedni lewy

- 3 Palnik pomocniczy Przedni prawy
- 4 Palnik normalny Tylny prawy

Dane techniczne

Napięcie/częstotliwość	220-230 V ~ 50 Hz
Typ/ przekrój przewodu	H05RR-FG 3 x 0,75 mm ²
Długość przewodu	maks. 2 m
Kategoria wyrobu gazowego	Kat II 2ELs3B/P
Typ/ciśnienia gazu	2E (G20) /20 mbar
Łączne zużycie gazu	7,4 kW
Konwersja na typ/ciśnienie gazu ^S	2Ls (G2.350)/13 mbar
opcjonalna	3B/P (30)/37 mbar
Wymiary zewnętrzne (wys./szer./głęb.)	84 mm/580 mm/510 mm
Wymiary instalacyjne (szer./głęb.)	560 mm/480-490 mm
Palniki	
Tylny lewy	Palnik szybki
Moc	2900 W
Przedni lewy	Palnik normalny
Moc	1750 W
Przedni prawy	Palnik pomocniczy
Moc	1000 W
Tylny prawy	Palnik normalny
Moc	1750 W



Dane techniczne mogą zostać zmienione bez uprzedzenia w celu poprawy jakości wyrobu.



Wartości podane na etykietkach wyrobu lub w towarzyszącej mu dokumentacji uzyskano w warunkach laboratoryjnych zgodnie z odnośnymi normami. Wartości te mogą się różnić zależnie od operacyjnych i środowiskowych warunków pracy danego wyrobu.



Rysunki w tej instrukcji są schematyczne i mogą się nieco różnić od danego wyrobu.

Tabela wtryskiwacza

Pozycja strefy płyty kuchennej	2900 W Tylny lewy	1750 W Przedni lewy	1000 W Przedni prawy	1750 W Tylny prawy
Typ/ciśnienia gazu				
2E (G20) /20 mbar	115	97	72	97
3B/P (30)/37 mbar	80	65	47	65
2Ls (G2.350)/13 mbar	165	128	95	128

3 Instalacja



Przygotowanie miejsca do instalacji i dostępu do sieci elektrycznej i gazowej to obowiązek klienta.



ZAGROŻENIE:

Urządzenie to należy instalować zgodnie z miejscowymi przepisami dot. instalacji gazowych i elektrycznych.



ZAGROŻENIE:

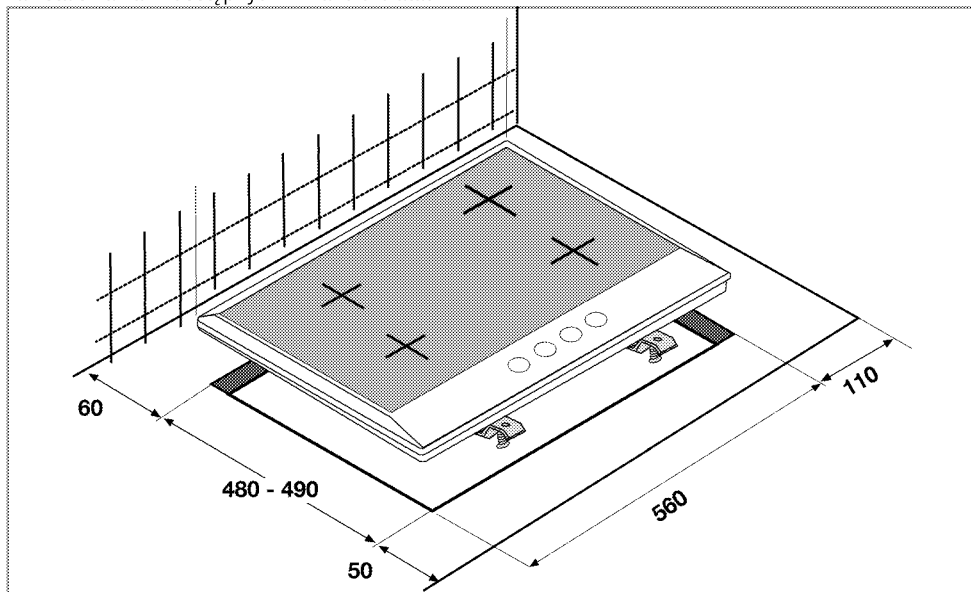
Przed zainstalowaniem sprawdź, czy wyrób nie ma widocznych defektów. ełsi ma, nie instaluj go. Uszkodzone wyroby zagrażają Twemu bezpieczeństwu.

Przed zainstalowaniem

Płyta kuchenna przeznaczona jest do zainstalowania w dostępnych w handlu blatach.

Pomiędzy tym urządzeniem a ścianami lub meblami kuchennymi należy pozostawić bezpieczny odstęp. Patrz: rysunek (wymiary w mm)

- Można go także używać w pozycji wolnostojącej. Zachowaj minimalny odstęp 750 mm ponad powierzchnią płyty kuchennej.
- (*) Jeśli nad kuchenką ma być zainstalowany wyciąg, sprawdź wysokość instalacji w instrukcji wytwórcy wyciągu (min. 650 mm).
- Usuń materiały opakowaniowe i blokady do transportu.
- Powierzchnie zastosowanych syntetycznych laminatów i lepiszczy muszą być odporne na wysoką temperaturę (minimum 100 °C).
- Blat trzeba ułożyć poziomo i przytwierdzić.
- W blacie wytnij otwór na płytę kuchenną zgodnie z wymiarami instalacyjnymi.



Wentylacja pomieszczenia

W każdym pomieszczeniu powinno być otwierane okno lub jego równoważnik, a w niektórych pomieszczeniach potrzeba także stałej wentylacji.

Powietrze do spalania pobierane jest z pomieszczenia, bezpośrednio do pomieszczenia ułatwiają się spaliny.

Dobra wentylacja pomieszczenia jest niezwykle ważna dla pracy tego urządzenia. Jeśli pomieszczenia nie można wietrzyć oknem lub drzwiami, należy zainstalować dodatkową wentylację.

Urządzenie można umieścić w kuchni, kuchni/jadalni lub w pokoju dziennym, a nawet sypialni, ale nie w pomieszczeniu zawierającym wannę lub prysznic. Urządzenia nie wolno instalować w pokoju dziennym mniejszym niż 20 m².³

Nie instaluj tego urządzenia w pomieszczeniu poniżej poziomu ziemi, chyba że jest co najmniej z jednej strony otwarte na tym poziomie.


Rozmiar pomieszczenia	Otwór wentylacyjny
mniejsze niż 5 m ³	min. 100 cm ²
5 m ³ do 10 m ³	min. 50 cm ²
większe niż 10 m ³ /den	nie potrzeba
W piwnicy	min. 65 cm ²


Instalacja i przyłączenie

- Urządzenie to można instalować i przyłączać wyłącznie zgodnie z obowiązującymi zasadami instalowania.


Przyłączenie elektryczne


Przyłącz ten wyrób do uziemionego gniazdka/obwodu zabezpieczonego bezpiecznikiem o odpowiedniej specyfikacji podanej w tabeli „Dane techniczne”. Zleć wykonanie instalacji uziemienia wykwalifikowanemu elektrykowi, niezależnie od tego, czy używasz transformatora do zasilania. Firma nasza nie odpowiada za żadne szkody wynikłe z użytkowania tego wyrobu bez uziemienia, zgodnie z przepisami miejscowymi.

 **ZAGROŻENIE:** Wyrób ten musi być przyłączony do sieci elektrycznej przez osobę upoważnioną i wykwalifikowaną. Gwarancja na ten wyrób obowiązuje dopiero po jego prawidłowym zainstalowaniu. Producent nie odpowiada za szkody wynikłe z instalacji i napraw wykonywanych przez osoby nieupoważnione.

 **ZAGROŻENIE:** Przewody zasilającego nie można klamrować, zginać i przyciskać, ani stykać z gorącymi częściami urządzenia. Przewody uszkodzone wymieniać może tylko wykwalifikowany elektryk. Zagrożenie porażeniem elektrycznym, zwarciem lub pożarem z powodu niefachowej instalacji!

- Przyłączenie musi być zgodne z przepisami krajowymi.
- Parametry zasilania muszą odpowiadać danym podanym na tabliczce znamionowej urządzenia. Tabliczka znamionowa umieszczona jest na tylnej obudowie urządzenia.
- Przewód zasilający ten wyrób musi odpowiadać parametrom podanym w tabeli "Dane techniczne".

 **ZAGROŻENIE:** Przed podjęciem jakichkolwiek prac przy instalacji elektrycznej, odłącz to urządzenie od zasilania. Grozi to porażeniem elektrycznym!

 Wtyczka przewodu zasilająca musi być łatwo dostępna po zainstalowaniu (nie prowadzić przewodu ponad płytą kuchenną).

Włóż wtyczkę przewodu zasilającego do gniazdka.

Złącze gazowe



ZAGROŻENIE:

Wyrób ten musi być przyłączony do sieci gazowej przez osobę uprawnioną i wykwalifikowaną.

Zagrożenie wybuchem lub zatruciem na skutek niefachowej naprawy.

Producent nie odpowiada za szkody wynikłe z instalacji i napraw wykonywanych przez osoby nieupoważnione.



ZAGROŻENIE:

Przed podjęciem jakichkolwiek prac przy instalacji gazowej, należy odciąć zasilanie gazem.

Istnieje groźba wybuchu!

- Warunki i wartości zasilania w gaz podane są na etykietach (lub tabliczce znamionowej).

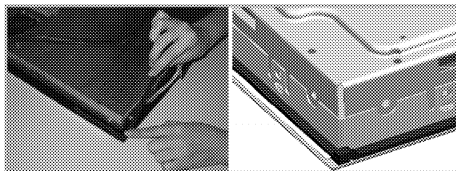


Produkt jest przeznaczony do gazu ziemnego (GZ).

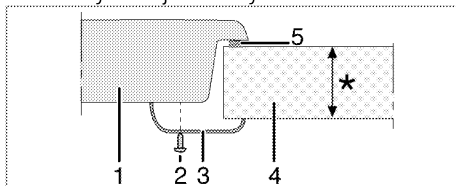
- Przed zainstalowaniem tego wyrobu trzeba przygotować instalację gazu ziemnego.
- Na wyjściu z instalacji przyłącza gazu ziemnego do tego wyrobu musi być giętka rura, a jej końcówka musi być zamknięta wtyczką. Przy przyłączaniu pracownik serwisu wyjmie zatyczkę i przyłączy urządzenie za pomocą prostego złącza (mufy).
- Upewnij się, że jest łatwy dostęp do zaworu gazu ziemnego.
- Jeśli później zechcesz używać tego urządzenia zasilając go innego typu gazem, musisz skonsultować się z upoważnionym serwisem w sprawie odnośnej procedury konserwacji.

Instalowanie wyrobu

1. W trakcie instalacji płyty na dolne zagacie obudowy wokół niej należy założyć dostarczoną w pakiecie uszczelkę, jak pokazano na rysunku.



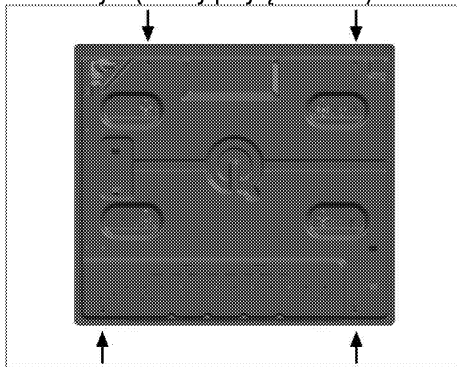
2. Ustaw płytę na blacie i wyrównaj.
3. Płytę kuchenną można umocować w blacie dostarczonymi klamrami wprowadzanymi w otwory dolnej obudowy.



* min. 20 i max. 40 mm

- 1 Płyta kuchenna
- 2 Śrubka
- 3 Klamra instalacyjna
- 4 Blat
- 5 Uszczelka

Widok z tyłu (otwory przyłączeniowe)



Po instalacji włóż z powrotem płytki palników, kołpaki płytek palników oraz grille na ich miejsca.



Przyłączanie poprzez różne otwory nie jest dobrą praktyką ze względów bezpieczeństwa, ponieważ może uszkodzić system gazowy i elektryczny.

Ostateczne sprawdzenie

1. Otwórz zasilanie gazem.
2. Sprawdź bezpieczeństwo pasowania i szczelność instalacji gazowych.

3. Zapal palniki i sprawdź wygląd płomienia.



Ogień musi być niebieski i mieć kształt regularny. Jeśli płomienie żółcieją, sprawdź, czy kołpak palnika pewnie siedzi albo oczyść palnik.

Zmiana rodzaju gazu



ZAGROŻENIE:

Przed podjęciem jakichkolwiek prac przy instalacji gazowej, należy odciąć zasilanie gazem.

Istnieje groźba wybuchu!

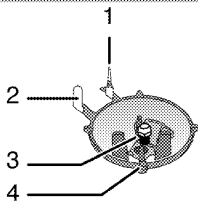
Aby zmienić typ gazu zasilającego to urządzenie wymienia się wszystkie wtryski i reguluje płomień na wszystkich zaworach przy ograniczonym przepływie gazu.

Wymiana wtrysków do palników

1. Zdejmij kołpak palnika i wyjmij korpus palnika.
2. Odkręć wtryski przekręcając je w lewo.
3. Załóż nowe wtryski.
4. Sprawdź bezpieczeństwo pasowania i szczelność wszystkich połączeń.



Pozycje nowych wtrysków są zaznaczone na ich opakowaniu lub w odpowiedniej tabeli, *Tabela wtryskiwacza, strona 10* do której należy zawsze sięgać.



- 1 Czujnik zaniku płomienia (zależnie od modelu)
- 2 Świeca zapłonowa
- 3 Wtrysk
- 4 Palnik



O ile nie zachodzą warunki nienormalne, nie staraj się wyjąć kurków gazowych palników. Jeśli trzeba wymienić te kurki, należy wezwać autoryzowany serwis.

Ustawienie kurków płyty na ograniczony strumień gazu

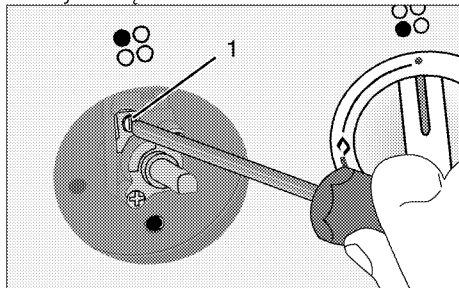
1. Zapal palnik, który ma być ustawiany i obróć pokrętkę do pozycji niskiego płomienia.
2. Zdejmij pokrętkę z kurka gazu.
3. Do ustawiania śruby regulacji przepływu należy używać śrubokręta o odpowiednim rozmiarze.

Dla gazu płynnego (butan/propan) należy raz obrócić tę śrubę w prawo. Dla gazu ziemnego należy raz obrócić tę śrubę **w lewo**.

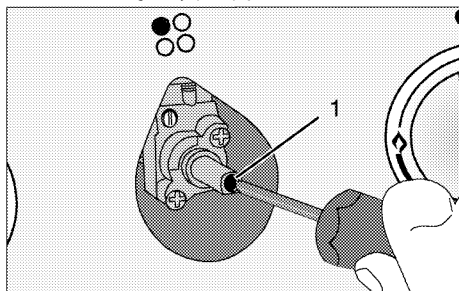
» Normalna długość wyprostowanego płomienia w stanie ograniczenia wynosi 6-7 mm.

4. Jeśli płomień sięga wyżej, niż należy, obróć śrubę zgodnie z ruchem wskazówek zegara. Jeśli jest zbyt mały, obróć ją w lewo.
5. Na koniec kontroli ustaw palnik na płomień wysoki a potem na zredukowany i sprawdź, czy płomień utrzymuje się.


Pozycja śruby regulacyjnej może się różnić, zależnie od typu kurka gazowego zastosowanego w danym urządzeniu.



1 Śruba regulacji przepływu




1 Śruba regulacji przepływu

 Jeśli zmieniono rodzaj gazu zasilającego urządzenie, wówczas trzeba także zmienić tabliczkę znamionową, gdzie rodzaj gazu jest podany.

Przyszły transport

- Zachowaj oryginalne pudło kartonowe na piekarnik i transportuj go w nim. Przestrzegaj instrukcji na pudle. Jeśli nie masz oryginalnego pudła, zapakuj piekarnik w folię bąbelkową lub grubą tekturę i zabezpiecz taśmą klejącą.
- Zabezpiecz taśmą klejącą kołpaki i podstawki od garnki.

 Sprawdzaj, czy piekarnik nie uległ w transporcie widocznym uszkodzeniom.

4 Przygotowanie

Jak oszczędzać energię

Następujące wskazówki pomogą użytkować urządzenie w sposób ekologiczny oraz energooszczędny.

- Rozmrażaj mrożonki przed gotowaniem.
- Do gotowania używaj garnków/rondli z pokrywkami. Gotowanie bez pokrywki może czterokrotnie zwiększyć pobór prądu.
- Gotuj na palniku o średnicy odpowiadającej średnicy garnka. Zawsze wybieraj garnki o rozmiarze odpowiednim do potrawy. Większe garnki zużywają więcej prądu.

Pierwszy raz

Pierwsze czyszczenie



Pewne detergenty lub środki czyszczące mogą uszkodzić powierzchnię.

Nie używaj agresywnych detergentów, proszku/mleczka do czyszczenia, ani żadnych ostrych przedmiotów.

1. Usuń wszystkie materiały opakowaniowe.
2. Wytrzyj powierzchnie wyrobu wilgotną ściereczką lub gąbką i wytrzyj do sucha ściereczką.

5 Jak używać płyty kuchennej

Ogólne informacje o gotowaniu



Nigdy nie wolno napełniać rondla olejem powyżej jednej-trzeciej jego pojemności. Podczas podgrzewania oleju nie wolno pozostawiać płyty bez nadzoru. Przegrzany olej może zapalić się. **Nigdy nie wolno gasić ognia wodą!** Gdy olej się zapali, natychmiast przykryć go kocem gaśniczym lub wilgotną szmatą. Gdy już będzie to bezpieczne należy wyłączyć kuchenkę i zadzwonić po straż pożarną.

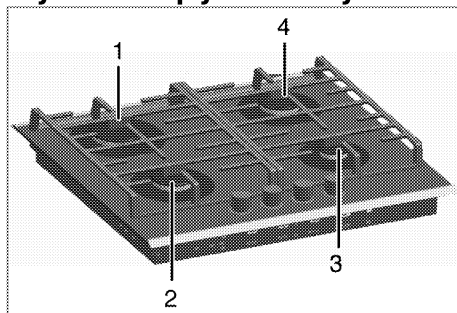
- Przed smaženiem potrawy zawsze dokładnie ją osusz, a potem delikatnie ją połóż na gorącym oleju. Przed smaženiem mrozonek upewnij się, że całkowicie odtają.
- Nie przykrywaj naczynia, w którym podgrzewasz olej.
- Patelnie i rondle ustawiaj tak, aby ich trzonki nie były nad płytą, co zapobiegnie ich nagrzewaniu się. Nie stawiaj na płycie naczyń niewyważonych i takich, które łatwo mogą się przechylić.
- Nie stawiaj pustych naczyń ani garnków na załączonych strefach gotowania. Mogą się uszkodzić.
- Załączenie strefy gotowania, na której nie stoi zadno naczynie ani garnek, może uszkodzić ten wyrób. Po zakończeniu gotowania wyłącz strefy gotowania.
- Ponieważ powierzchnia tego wyrobu może być gorąca, nie stawiaj na niej naczyń plastikowych ani aluminiowych. W naczyniach takich także nie należy przechowywać żywności.
- Używaj tylko garnków i naczyń z płaskim dnem.
- Do garnków i patelni wkładaj odpowiednie ilości żywności. Tym samym zapobiegasz oprzelaniu suie zawartosci naczynia, a więc unikasz niepotrzebnego czyszczenia. Nie kładź pokrywek garnków ani patelni na strefach gotowania.

Garnki ustawiaj w środku strefy gotowania. Aby przenieść garnek do innej strefy gotowania, podnieś go i postaw w tej strefie zamiast go przesuwając.

Gotowanie na gazie

- Rozmiar naczynia musi odpowiadać wielkości płomienia. Nastaw płomień gazu tak, aby nie wystawał poza dno naczynia i ustaw naczynie w środku podstawki pod nie.

Użytkowanie płyt kuchennych



- 1 Palnik szybki 20-26 cm
- 2 Palnik normalny 14-20 cm
- 3 Palnik pomocniczy 12-18cm
- 4 Palnik normalny 14-20 cm to wykaz zalecanych średnic garnków do użytku na odnośnych palnikach.

Symbol dużego płomienia oznacza największą moc gotowania, symbol małego płomienia zaś oznacza moc najmniejszą. W pozycji wyłączonej (górnjej) gaz nie dopływa do palników.

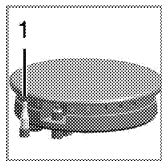
Zapalanie palników gazowych

1. Wciśnij i przytrzymaj pokrętko palnika.
2. Obróć je w lewo, do symbolu dużego płomienia.
» Gaz zapala się od wywołanej iskry.
3. Nastaw wymaganą moc gotowania.

Wyłączanie palników gazowych

Obróć pokrętko strefy utrzymywania w ciepłe w pozycję wyłączoną (górną).

System bezpiecznego odcinania dopływu gazu (w modelach z elementem termicznym)



1. Bezpieczne odcięcie dopływu gazu.

Jako środek zapobiegania wybuchowi skutkiem zalania palników przelewającym się płynem, mechanizm zabezpieczający automatycznie zmniejsza dopływ gazu i odcina go.

- Aby zapalić gaz, wciśnij pokrętkę i obróć je w lewo.
- Aby uruchomić to zabezpieczenie, po zapaleniu gazu przytrzymaj pokrętkę wciśniętą przez kolejne 3-5 sekund.
- Jeśli gaz nie zapalił się po wciśnięciu i zwolnieniu tego pokrętła, powtórz te same czynności utrzymując pokrętkę wciśniętą przez 15 sekund.



ZAGROŻENIE:

Jeśli w ciągu 15 sekund nie dojdzie do zapłonu gazu, zwolnij przycisk. Odczekaj co najmniej 1 minutę, zanim ponowisz próbę. Istnieje groźba akumulacji gazu i wybuchu!

6 Czyszczenie i konserwacja

Informacje ogólne

Okres użytkowania tego wyrobu przedłuży się, a problemy stana się rzadsze, jeśli wyrób ten czyści się w regularnych odstępach czasu.



ZAGROŻENIE:

Przed konserwacją i czyszczeniem, odłącz piekarnik od sieci. Grozi to porażeniem elektrycznym!



ZAGROŻENIE:

Przed czyszczeniem piekarnika odczekaj, aż ostygnie. Można się poparzyć od gorących powierzchni!

- Po każdym użyciu dokładnie oczyść ten wyrób. Dzięki temu łatwiej będzie usuwać pozostałości pieczenia, unikając tym samym ich zapalenia się na następnym użyciu piekarnika.
- Do jego czyszczenia nie potrzeba żadnych specjalnych środków czyszczących. Wyrób ten czyści się miękką ściereczką lub gąbką i ciepłą wodą z mydłem w płynie, i wyciera suchą ściereczką.
- Pamiętaj, aby zawsze starannie wycierać nadmiar płynu po czyszczeniu i natychmiast wycierać wszystko, co się rozleje.
- Do czyszczenia powierzchni i klamki ze stali nierdzewnej nie używaj środków czyszczących zawierających kwas lub chlorek. Części te wyciera się do czysta miękką ściereczką z detergentem w płynie (nie w proszku), najlepiej ruchami w tym samym kierunku.



Pewne detergenty lub środki czyszczące mogą uszkodzić powierzchnię. Nie używaj agresywnych detergentów, proszku/mleczka do czyszczenia, ani żadnych ostrych przedmiotów.



Do czyszczenia tego urządzenia nie używaj urządzeń parowych, ponieważ może to spowodować porażenie prądem.

Oczyszczenie płyty

Płyty gazowe

1. Wyjmij i oczyść podstawki pod garnki i kołpaki palników.
2. Oczyść płytę.
3. Załóż kołpaki na palniki i upewnij się, że leżą na nich jak należy.
4. Przy instalowaniu górnych grilli zwróć uwagę, na takie umieszczenie podstawek, aby palniki były w ich środku.

Powierzchnie szklano-ceramiczne

Przetrzyj powierzchnie ceramiczne ściereczką zamoczoną w zimnej wodzie w taki sposób, aby nie pozostały na nich resztki środka czyszczącego. Wytrzyj je do sucha miękką i suchą ściereczką. Pozostawione resztki mogą spowodować uszkodzenie powierzchni szklano-ceramicznej przy ponownym użyciu płyty. Zaszchłych na powierzchni szklano-ceramicznej resztek w żadnym razie nie należy skrobać żyłką, wełną żelazną, ani podobnymi narzędziami.

Plamy wapienne (żółte) usuwa się niewielką ilością środka do czyszczenia w wapienia, np. octu lub soku z cytryny. Można także użyć odpowiednich środków dostępnych na rynku. Jeśli powierzchnia jest bardzo zabrudzona, zamocz gąbkę w środku czyszczącym i odczekaj, aż nim nasiąknie. Następnie oczyść powierzchnię płyty wilgotną ściereczką.



Plamy z potraw o znacznej zawartości cukru, np. gęstego kremu lub syropu, trzeba czyścić bezzwłocznie, nie czekając aż zabrudzona powierzchnia ostygnie. W przeciwnym razie szklano-ceramiczna powierzchnia może ulec trwałemu uszkodzeniu.

Z czasem kolor powłok i innych powierzchni może z lekka blaknąć. Nie wpływa to na działanie kuchenki.

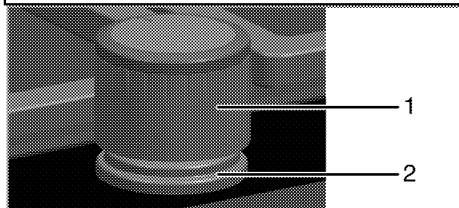
Blednięcie koloru i plamy na powierzchni szklano-ceramicznej to zjawiska normalne, a nie defekt.

Czyszczenie panelu sterowania

Panel sterowania i pokręta czyści się wilgotną ściereczką i wyciera do sucha.



Nie zdejmuj przycisków/pokręteł do czyszczenia panelu sterowania. Możesz uszkodzić panel sterowania!



- 1 Pokręto
- 2 Podkładki uszczelniające



Do czyszczenia nie zdejmuj podkładek uszczelniających spod pokręteł.

7 Rozwiązywanie problemów

Przy nagrzewaniu i studzeniu urządzenia słychać metaliczne odgłosy.

- Podgrzewane części metalowe mogą się rozszerzać i wydawać dźwięki. >>> *To nie jest awaria.*

Nie zapala się iskra zapłonowa.

- Nie ma prądu. >>> *Sprawdź bezpiecznik w skrzynce bezpiecznikowej.*

Nie ma gazu.

- Zamknięty jest kurek zasilania z sieci gazowej. >>> *Odkręć kurek dopływu gazu.*
- Przewód doprowadzania gazu jest zagięty. >>> *Prawidłowo zamontuj przewód doprowadzania gazu.*

Palniki palą się nierówno albo wcale.

- Palniki są brudne. >>> *Oczyść elementy palników.*
- Palniki są mokre. >>> *Osusz elementy palników.*
- Kołpak palnika nie trzyma się mocno. >>> *Prawidłowo załóż elementy palnika.*
- Zamknięty jest kurek zasilania z sieci gazowej. >>> *Odkręć kurek dopływu gazu.*
- Butla z gazem jest pusta (w przypadku zasilania gazem LPG) >>> *Wymień butlę z gazem.*



Jeśli pomimo postępowania według instrukcji z tego rozdziału problem pozostaje, skonsultuj się z autoryzowanym agentem serwisowym lub sprzedawcą piekarnika. Nie próbuj samemu naprawiać zepsutego piekarnika.

BEKO S.A., ul. Cybernetyki 7B, 02-677 Warszawa
www.beko.com.pl e-mail: serwis@beko.com.pl, fax 22 321 0 691

INFOLINIA 222 50 14 14



Podpis i pieczęć instalatora (z numerem uprawnienia) w przypadku montażu urządzeń gazowych lub płyt i piekarników elektrycznych

Aby otrzymać więcej informacji dotyczących serwisu np. gdzie kupić części zamienne lub akcesoria należy odwiedzić stronę internetową www.beko.com.pl i wybrać zakładkę serwis.

Proszę zarejestrować swoje urządzenie na www.beko.com.pl, a otrzymasz dodatkowe korzyści (szczegóły na stronie internetowej)

Warunki Gwarancji

1. **BEKO S.A.** gwarantuje, że sprzęt zakupiony jest wolny od wad fizycznych. Odpowiedzialność BEKO S.A. z tytułu gwarancji obejmuje tylko wady sprzętu powstałe z przyczyn tkwiących w sprzęcie sprzedanym Klientowi, które ujawnią się w ciągu terminu określonego w punkcie 2 niniejszych warunków (zwanego dalej „**Okresem Gwarancyjnym**”).

W razie ujawnienia takich wad sprzętu w Okresie Gwarancyjnym zostaną one usunięte na koszt BEKO S.A. w sposób uzależniony od właściwości wady, na zasadach i w zakresie określonym w niniejszych warunkach.

2. Okres gwarancji wynosi **24 miesiące** licząc od daty zakupu.

Udzielona gwarancja nie obejmuje urządzeń zakupionych później niż 36 miesięcy licząc od daty produkcji sprzętu zgodnie z numerem seryjnym znajdującym się na tabliczce znamionowej urządzenia.

3. Zakres i sposób przeprowadzenia naprawy gwarancyjnej sprzętu lub jego wymiany w ramach udzielonej gwarancji określa BEKO S.A.

4. Udzielona Gwarancja jest ważna na terenie Rzeczypospolitej Polskiej. Uprawnienia wynikające z gwarancji można zrealizować wyłącznie w Autoryzowanych Punktach Serwisowych **BEKO S.A.** po uprzednim zgłoszeniu na Infolinii BEKO S.A.

5. Wady powstałe z przyczyn tkwiących w sprzedanym sprzęcie ujawnione w Okresie Gwarancyjnym, będą usuwane na podstawie ważnego dowodu zakupu (faktura lub paragon) oraz w wymaganych przypadkach

stempla instalatora z numerami uprawnień do montażu instalacji gazowych lub elektrycznych (w przypadku podłączenia elektrycznych płyt grzewczych i piekarników),
Sprzęt o wadze do 10 kg zgłaszający wadę fizyczną Klient powinien dostarczyć do Autoryzowanego Serwisu BEKO S.A. po uprzednim telefonicznym kontakcie z infolinią BEKO S.A. wraz z dowodem zakupu oraz w oryginalnym opakowaniu fabrycznym.

Sprzęt do zabudowy powinien być udostępniony do naprawy przez klienta lub sprzedawcę w sposób umożliwiający przystąpienie do jego naprawy przez pracowników Autoryzowanego serwisu BEKO S.A.

Wady fizyczne sprzętu sprzedanego Klientowi będą usuwane w następujących terminach:

– 14 dni od daty dostarczenia sprzętu do Autoryzowanego Serwisu BEKO S.A. (w przypadku sprzętu o wadze do 10 kg),

– 21 dni licząc od daty telefonicznego zgłoszenia na infolinię BEKO S.A. wady fizycznej sprzętu, nieobjętego obowiązkiem dostarczenia do Autoryzowanego punktu serwisowego BEKO S.A.

6. Jeżeli wymieniona w ramach uprawnień wynikających z udzielonej gwarancji część jest sprowadzana z zagranicy, termin naprawy nie powinien przekroczyć 30 dni licząc od daty zgłoszenia. Przekroczenie terminu 30 dni naprawy dopuszczane jest przez BEKO S.A. jedynie w sytuacji, gdy usterka nie wpływa na poprawność funkcjonowania sprzętu.

7. Sprzęt jest przeznaczony wyłącznie do eksploatacji w warunkach indywidualnego gospodarstwa domowego pod rygorem utraty uprawnień wynikających z gwarancji. Użytkowanie sprzętu winno odbywać się zgodnie z instrukcją obsługi.

8. Udzielona przez BEKO S.A. gwarancja nie obejmuje:

a) Czynności przewidzianych w instrukcji obsługi do wykonania których zobowiązany jest użytkownik urządzenia we własnym zakresie i na swój koszt m. in. : instruktażu dotyczącego obsługi urządzenia, instalacji i podłączenia sprzętu, konserwacji, wymiany bezpieczników, żarówek przygotowania instalacji elektrycznej oraz regulacji urządzenia gazowego (w tym ustawienia płomienia oszczędnościowego palników) wymiana dysz, itp.

b) usterek powstałych w wyniku nieprawidłowego lub niewłaściwego użytkowania, niedbalstwa, przypadkowego uszkodzenia sprzętu, nieodpowiedniego napięcia prądu lub dokonania jakichkolwiek zmian, które mają wpływ na niewłaściwe działanie urządzenia i które naprawiane były przez osoby nieupoważnione, używania instalacji niezgodnych z Polskimi Normami i innych niż wymienione w instrukcji obsługi sprzętu.

c) uszkodzeń mechanicznych, termicznych, chemicznych, korozji oraz wszystkich innych spowodowanych działaniem użytkownika lub zaniedbaniem użytkownika sprzętu oraz powstałych na skutek działania sił zewnętrznych (w szczególności wyładowania atmosferyczne, skoki napięcia, wszelkiego rodzaju awarie domowej instalacji wodno-kanalizacyjnej, użytkowanie sprzętu niezgodnie z instrukcją obsługi itp) a także powstałych na skutek przedostania się zanieczyszczeń lub ciał obcych do sprzętu,

d) niepodlegają gwarancji elementy ze szkła i plastiku oraz odbarwienia,

e) usterek powstałych w wyniku niewłaściwego montażu sprzętu w zabudowie meblowej.

f) usterek powstałych na skutek przechowywania i użytkowania urządzenia w warunkach, które są niezgodne z normalnymi warunkami domowymi określonymi wymaganiami powszechnie obowiązujących przepisów prawa i Polskich Norm.

9. Koszt wezwania serwisu do wykonania czynności wymienionych w punkcie 8 ponosi użytkownik.

10. Gwarancja na sprzedany towar konsumpcyjny nie wyłącza, nie ogranicza ani nie zawiesza uprawnień kupującego wynikających z niezgodności towaru z umową.

