

HISW 64222 S

Built-in Hob

User Manual

Płyta kuchenna do
zabudowy

Instrukcja użytkowania

Please read this manual first.

Dear Customer,

We would like you to obtain the best performance from your product which has been manufactured in modern facilities and under strict quality control procedures.

Therefore, we advise you to read through this User Manual carefully before using your product and keep it for future reference. If you hand over the product to someone else, deliver the User Manual as well.

The User Manual will help you use the product in a fast and safe way.

- Read the User Manual before installing and operating the product.
 - You must strictly observe the safety instructions.
 - Keep this User Manual within easy reach for future reference.
 - Also read other documents supplied with the product.
- Remember that this User Manual may also be applicable for several other models. Differences between models are explicitly identified in the manual.

Explanation of symbols

Throughout this User Manual the following symbols are used:



Important information or useful hints about usage.



Warning for hazardous situations with regard to life and property.



Warning for electric shock.



Warning for risk of fire.



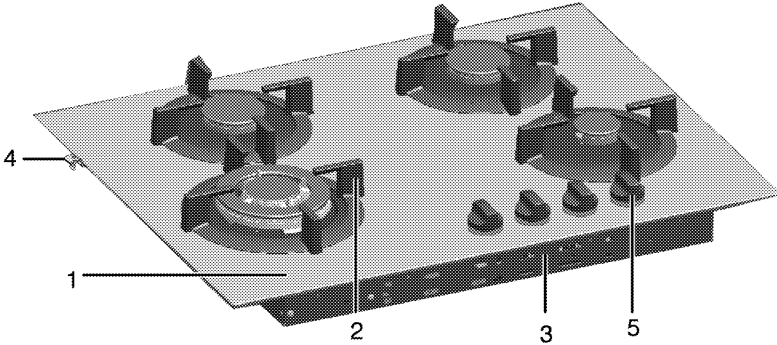
Warning for hot surfaces.

TABLE OF CONTENTS

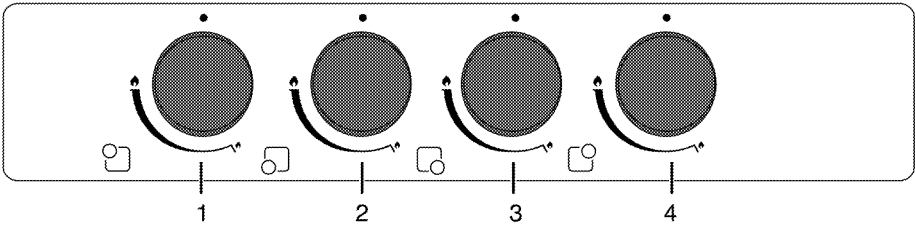
1 General information	4	4 Preparation	12
Overview	4	Tips for saving energy	12
Technical specifications	5	Initial use	12
Injector table	5	First cleaning of the appliance	12
2 Important safety instructions	6	5 How to use the hob	13
General safety	6	General information about cooking	13
Safety when working with gas	6	Using the hobs	13
Intended use	7	6 Maintenance and care	15
Safety for children	7	General information	15
3 Installation	8	Cleaning the hob	15
Before installation	8	Cleaning the control panel	16
Installation and connection	9	7 Troubleshooting	17
Gas conversion	10		
Compliance with EEE Directive	11		
Package information	11		
Future Transportation	11		
Disposing of the old product	11		

1 General information

Overview



- | | | | |
|---|----------------|---|----------------|
| 1 | Tempered glass | 4 | Assembly clamp |
| 2 | Pan support | 5 | Control panel |
| 3 | Base cover | | |



- | | | | |
|---|-------------------------|---|------------------------------|
| 1 | Normal burner Rear left | 3 | Auxiliary burner Front right |
| 2 | Wok burner Front left | 4 | Normal burner Rear right |

Technical specifications

Voltage / frequency	220-240 V ~ 50 Hz
Cable type / section	H05RR-FG 3 x 0,75 mm ²
Cable length	max. 2 m
Category of gas product	II 2ELs3B/P
Gas type / pressure	2E (G20)/20 mbar
Total gas consumption	7.8 kW
Converting the gas type / pressure ^S – optional	2Ls(G2.350)/13 mbar 3B/P(G30)/37 mbar
External dimensions (height / width / depth)	98 mm/694 mm/510 mm
Installation dimensions (width / depth)	560 mm/480-490 mm
Burners	
Rear left	Normal burner
Power	1750 W
Front left	Wok burner
Power	3300 W
Front right	Auxiliary burner
Power	1000 W
Rear right	Normal burner
Power	1750 W



Technical specifications may be changed without prior notice to improve the quality of the product.



Figures in this manual are schematic and may not exactly match your product.



Values stated on the product labels or in the documentation accompanying it are obtained in laboratory conditions in accordance with relevant standards. Depending on operational and environmental conditions of the product, these values may vary.

Injector table

Position hob zone	1750 W Rear left	3300 W Front left	1000 W Front right	1750 W Rear right
Gas type / Gas pressure				
2E (G20)/20 mbar	97	140	72	97
3B/P(G30)/37mbar	65	88	47	65
2Ls(G2.350)/13 mbar	128	200	95	128

2 Important safety instructions

This section contains safety instructions that will help you avoid risk of injury and damage. All warranties will become void if you do not follow these instructions.

General safety

- This product is not intended to be used by persons with physical, sensory or mental disorders or unlearned or inexperienced people (including children) unless they are attended by a person who will be responsible for their safety or who will instruct them accordingly for use of the product.
Children must be supervised to prevent them from tampering with the product.
- Connect the product to an earthed outlet/line protected by a fuse of suitable capacity as stated in the "Technical specifications" table. Have the earthing installation made by a qualified electrician while using the product with or without a transformer. Our company shall not be liable for any problems arising due to the product not being earthed in accordance with the local regulations.
- If the supply cord is damaged, it must be replaced by the manufacturer, its service agent or similarly qualified persons in order to avoid a hazard.
- Do not operate the product if it is defective or has any visible damage.
- Do not carry out any repairs or modifications on the product. However, you may remedy some troubles that do not require any repairs or modifications. See *Troubleshooting, page 17*.
- Never wash down the product with water! There is the risk of electric shock!
- Never use the product when your judgment or coordination is impaired by the use of alcohol and/or drugs.
- Product must be disconnected from the mains during installation, maintenance, cleaning and repair procedures.

- Be careful when using alcoholic drinks in your dishes. Alcohol evaporates at high temperatures and may cause fire since it can ignite when it comes into contact with hot surfaces.
- Do not heat closed tins and glass jars in the oven. The pressure that would build-up in the tin/jar may cause it to burst.
- Do not place any flammable materials close to the product as the sides may become hot during use.
- Keep all ventilation slots clear of obstructions.
- Make sure that the product function knobs are switched off after every use.


Safety when working with gas

- Any works on gas equipment and systems may only be carried out by authorised qualified persons who are Gas Safe registered.
- "Prior to the installation, ensure that the local distribution conditions (nature of the gas and gas pressure) and the adjustment of the appliance are compatible."
- "This appliance is not connected to a combustion products or evacuation device. It shall be installed and connected in accordance with current installation regulations. Particular attention shall be given to the relevant requirements regarding ventilation;" See *Before installation, page 8*
- "CAUTION: The use of gas cooking appliance results in the production of heat and moisture in the room in which it is installed. Ensure that the kitchen is well ventilated: keep natural ventilation holes open or install a mechanical ventilation device (mechanical extractor hood). Prolonged intensive use of the appliance may call for additional ventilation, for example increasing the level of the mechanical ventilation where present."
- Gas appliances and systems must be regularly checked for proper functioning. Regulator, hose and its clamp must be

checked regularly and replaced within the periods recommended by its manufacturer or when necessary.

- Clean the gas burners regularly. The flames should be blue and burn evenly.
- Good combustion is required in gas appliances. In case of incomplete combustion, carbon monoxide (CO) might develop. Carbon monoxide is a colourless, odourless and very toxic gas, which has a lethal effect even in very small doses.
- Request information about gas emergency telephone numbers and safety measures in case of gas smell from your local gas provider.

What to do when you smell gas

	<p>DANGER Risk of explosion and poisoning! Put out all naked flames and do not smoke, strike matches or do anything that could cause ignition. Do not operate any electric switches (e.g. light switch, TV, computer, cooker or door bell). Do not use a telephone or mobile phone.</p>
--	--

1. Turn off all valves on gas appliances and gas meter at the main control valve, unless it's in a confined space or cellar.
2. Open doors and windows.
3. Check all tubes and connections for tightness. If you still smell gas leave the property.
4. Warn the neighbours.
5. Call the fire-brigade. Use a telephone outside the house.

5.1 If you have door or gates that are secured by an electric lock, or entry phone, please open these manually.

6. Do not re-enter the property until you are told it is safe to do so.

Intended use

This product is designed for domestic use. Commercial use will void the guarantee.

"CAUTION: This appliance is for cooking purposes only. It must not be used for other purposes, for example room heating."

The manufacturer shall not be liable for any damage caused by improper use or handling errors.

Safety for children

- Packaging materials are dangerous to children. Keep packaging materials in a safe place out of reach of children.
- Electrical and/or gas products are dangerous to children. Keep children away from the product when it is operating and do not allow them to play with the product.
- Accessible parts of the appliance will become hot whilst the appliance is in use. Children should be kept away until the product has cooled down.
- Do not place any items above the appliance that children may reach for.
- The packaging materials will be dangerous for children. Keep the packaging materials away from children. Please dispose of all parts of the packaging according to environmental standards.

SAVE THESE INSTRUCTIONS

3 Installation



Preparation of location and electrical and gas installation for the product is under customer's responsibility.



DANGER

The product must be installed in accordance with all local gas and/or electrical regulations.



DANGER

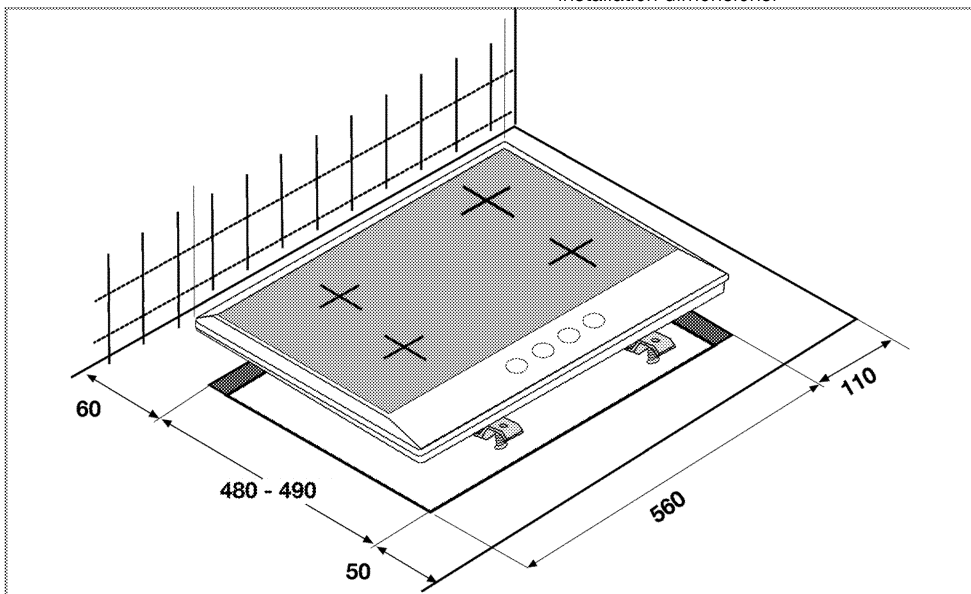
Prior to installation, visually check if the product has any defects on it. If so, do not have it installed.
Damaged products cause risks for your safety.

left between the appliance and the kitchen walls and furniture. See figure (values in mm).

- It can also be used in a free standing position. Allow a minimum distance of 750 mm above the hob surface.
- (*) If a cooker hood is to be installed above the cooker, refer to cooker hood manufacturer' instructions regarding installation height (min 650 mm)
- Remove packaging materials and transport locks.
- Surfaces, synthetic laminates and adhesives used must be heat resistant (100 °C minimum).
- The worktop must be aligned and fixed horizontally.
- Cut aperture for the hob in worktop as per installation dimensions.

Before installation

The hob is designed for installation in a commercial worktop. A safety distance must be



Room ventilation

All rooms require an openable window, or equivalent, and some rooms will require a permanent vent as well.

The air for combustion is taken from the room air and the exhaust gases are emitted directly into the room.

Good room ventilation is essential for safe operation of your appliance. If there is no window or door available for room ventilation, an extra ventilation must be installed.

The appliance may be located in a kitchen, kitchen/diner or a bed-sitting room, but not in a room containing a bath or shower. The appliance

must not be installed in a bed-sitting room of less than 20m³.

Do not install this appliance in a room below ground level unless it is open to ground level on at least one side.


Room size	Ventilation opening
smaller than 5 m ³	min. 100 cm ²
5 m ³ to 10 m ³	min. 50 cm ²
greater than 10 m ³ /den	not required
In the cellar or basement	min. 65 cm ²

Installation and connection


- The product must be installed in accordance with all local gas and electrical regulations.

Electrical connection

Connect the product to a grounded outlet/line protected by a fuse of suitable capacity as stated in the "Technical specifications" table. Have the grounding installation made by a qualified electrician while using the product with or without a transformer. Our company shall not be liable for any damages that will arise due to using the product without a grounding installation in accordance with the local regulations.




DANGER
Risk of electric shock, short circuit or fire by unprofessional installation!
The appliance may be connected to the mains supply only by an authorized qualified person and the appliance is only guaranteed after correct installation.




DANGER
Risk of electric shock, short circuit or fire by damage of the mains lead!
The mains lead must not be clamped, bent or trapped or come into contact with hot parts of the appliance.
If the mains lead is damaged, it must be replaced by a qualified electrician.

- Connection must comply with national regulations.
- The mains supply data must correspond to the data specified on the type label of the product. Type label is at the rear housing of the product.

- Power cable of your product must comply with the values in "Technical specifications" table.




DANGER
Risk of electric shock!
Before starting any work on the electrical installation, please disconnect the appliance from the mains supply.



Power cable plug must be within easy reach after installation (do not route it above the hob).

Plug the power cable into the socket.

Gas connection




DANGER
Risk of explosion or poisoning by unprofessional installation.
The appliance may be connected to the gas distribution system only by an authorized qualified person who is Gas Safe registered.



DANGER
Risk of explosion!
Before starting any work on the gas installation, please shut off the gas supply.

- Gas adjustment conditions and values are stated on labels (or ion type label).



Your appliance is adjusted for Natural gas.

- Natural gas installation must be prepared before installing the product.
- There must be a flex pipe at the outlet of the installation for the natural gas connection of your product and the tip of this pipe must be closed with a blind plug. Service Representative will remove the blind plug during connection and connect your product by means of a straight connection device (coupling).
- Make sure that the natural gas valve is readily accessible.
- If you need to use your product later with a different type of gas, you must consult the

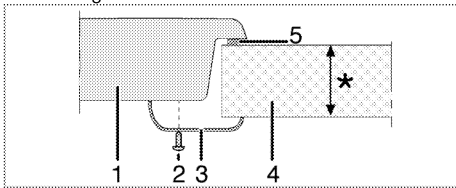
Authorised Service Agent for the related conversion procedure.

Installing the product

1. Remove burners, burner caps and grills on the hob from the product.
2. Turning the hob upside down, place it on a flat surface.
1. The sealing gasket provided in the package must be applied on the lower casing bend around the hob as shown in the figure, during installation of the hob.



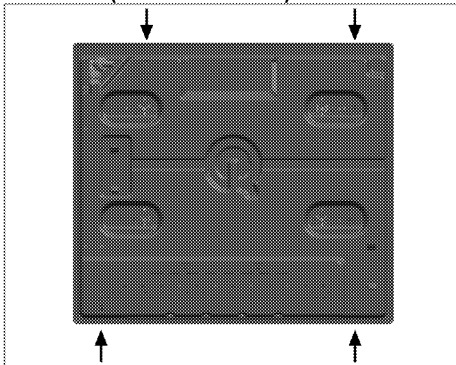
2. Place the hob on the counter and align it.
3. Using the installation clamps secure the hob by fitting through the holes on the lower casing.



* min. 20 & max. 40 mm

- 1 Hob
- 2 Screw
- 3 Installation clamp
- 4 Counter
- 5 Sealing gasket

Rear view (connection holes)



Place the burner plates, burner plate caps and grills back to their seating after installation.



Making connections to different holes is not a good practice in terms of safety since it can damage the gas and electrical system.

Final check

1. Open gas supply.
2. Check gas installations for secure fitting and tightness.
3. Ignite burners and check appearance of the flame.



The flames should be blue and burn smoothly. If the flames appear yellowish, check secure position of the burner cap or clean the burner. Switch off gas and let burner cool before touching it.

Gas conversion



DANGER

Risk of explosion!

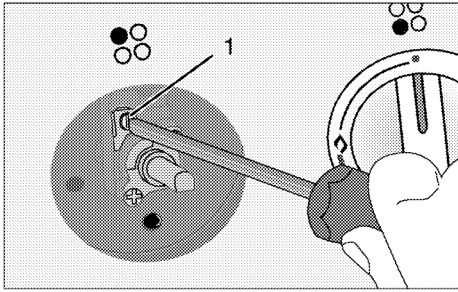
Before starting any work on the gas installation, please shut off the gas supply.

In order to change your appliance's gas type, change all injectors and make flame adjustment for all valves at reduced flow rate position.

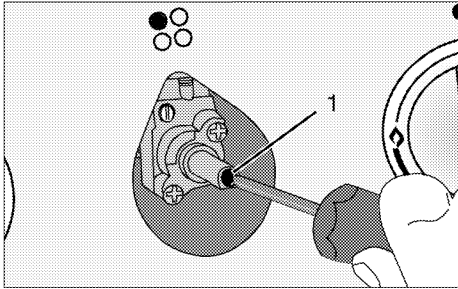
Reduced gas flow rate setting for hob taps

1. Ignite the burner that is to be adjusted and turn the knob to the reduced position.
 2. Remove the knob from the gas tap.
 3. Use an appropriately sized screwdriver to adjust the flow rate adjustment screw.
- For LPG (Butane - Propane) turn the screw clockwise. For the natural gas, you should turn the screw **counter-clockwise** once.
- » The normal length of a straight flame in the reduced position should be 6-7 mm.
4. If the flame is higher than the desired position, turn the screw clockwise. If it is smaller turn anticlockwise.
 5. For the last control, bring the burner both to high-flame and reduced positions and check whether the flame is on or off.

Depending on the type of gas tap used in your appliance the adjustment screw position may vary.



1 Flow rate adjustment screw



1 Flow rate adjustment screw

i If the gas type of the unit is changed, then the rating plate that shows the gas type of the unit must also be changed.

Compliance with EEE Directive

This product does not contain harmful and forbidden materials described in the "Directive on the Restriction of the Use of Certain Hazardous Substances in Electrical and Electronic Equipment" (EEE) issued by the T.R. Ministry of Environment and Forest.

Complies with the EEE Directive.

Package information

- Packaging materials of the product are manufactured from recyclable materials in accordance with our National Environment Regulations. Do not dispose of the

packaging materials together with the domestic or other wastes. Take them to the packaging material collection points designated by the local authorities.

Future Transportation

- Keep the product's original carton and transport the product in it. Follow the instructions on the carton. If you do not have the original carton, pack the product in bubble wrap or thick cardboard and tape it securely.
- Secure the caps and pan supports with adhesive tape.

i Check the general appearance of your product for any damages that might have occurred during transportation.

Disposing of the old product



Dispose of the old product in an environmentally friendly manner.

This equipment bears the selective sorting symbol for waste electrical and electronic equipment (WEEE). This means that this equipment must be handled pursuant to European Directive 2002/96/EC in order to be recycled or dismantled to minimize its impact on the environment. For further information, please contact local or regional authorities.

Refer to your local dealer or solid waste collection centre in your area to learn how to dispose of your product.

Before disposing of the product, cut off the power cable plug and make the door lock (if any) unusable to avoid dangerous conditions to children.

4 Preparation

Tips for saving energy

The following information will help you to use your appliance in an ecological way, and to save energy:

- Defrost frozen dishes before cooking them.
- Use pots/pans with cover for cooking. If there is no cover, energy consumption may increase 4 times.
- Select the burner which is suitable for the bottom size of the pot to be used. Always select the correct pot size for your dishes. Larger pots require more energy.

Initial use

First cleaning of the appliance



The surface may get damaged by some detergents or cleaning materials.

Do not use aggressive detergents, cleaning powder/cream or any sharp objects.

1. Remove all packaging materials.
2. Wipe the surfaces of the appliance with a damp cloth or sponge and dry with a cloth.

5 How to use the hob

General information about cooking



DANGER

Risk of fire by overheated oil!
When you heat oil, do not leave it unattended.

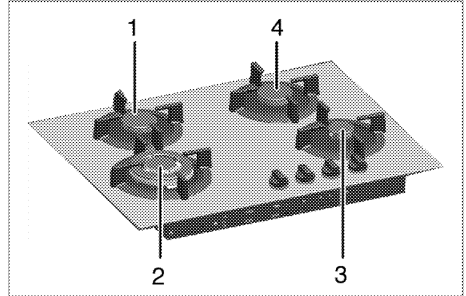
Never try to extinguish the fire with water! When oil has caught fire, immediately cover the pot or pan with a lid. Switch off the hob if safe to do so and phone the fire service.

- Before frying foods, always dry them well and gently place into the hot oil. Ensure complete thawing of frozen foods before frying.
 - Do not cover the vessel you use when heating oil.
 - Place the pans and saucepans in a manner so that their handles are not over the hob to prevent heating of the handles. Do not place unbalanced and easily tilting vessels on the hob.
 - Do not place empty vessels and saucepans on cooking zones that are switched on. They might get damaged.
 - Operating a cooking zone without a vessel or saucepan on it will cause damage to the product. Turn off the cooking zones after the cooking is complete.
 - As the surface of the product can be hot, do not put plastic and aluminum vessels on it. Such vessels should not be used to keep foods either.
 - Use flat bottomed saucepans or vessels only.
 - Put appropriate amount of food in saucepans and pans. Thus, you will not have to make any unnecessary cleaning by preventing the dishes from overflowing. Do not put covers of saucepans or pans on cooking zones.
- Place the saucepans in a manner so that they are centered on the cooking zone.
- When you want to move the saucepan onto another cooking zone, lift and place it onto the cooking zone you want instead of sliding it.

Gas cooking

- Size of the vessel and the flame must match each other. Adjust the gas flames so that they will not extend the bottom of the vessel and center the vessel on saucepan carrier.

Using the hobs



- 1 Normal burner 14-20 cm
- 2 Wok burner 22-30 cm
- 3 Auxiliary burner 12-18 cm
- 4 Normal burner 14-20cm is list of advised diameter of pots to be used on related burners.

Large flame symbol indicates the highest cooking power and small flame symbol indicates the lowest cooking symbol. In turned off position (top), gas is not supplied to the burners.

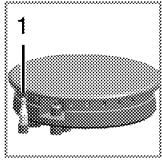
Igniting the gas burners

1. Keep burner knob pressed.
 2. Turn it counter clockwise to large flame symbol.
- » Gas is ignited with the spark created.
3. Adjust it to the desired cooking power.

Turning off the gas burners

Turn the keep warm zone knob to off (upper) position.

Gas shut off safety system (in models with thermic component)



1. Gas shut off safety

As a counter measure against blow out due to fluid overflows at burners, safety mechanism trips and shuts off the gas.

- Push the knob inwards and turn it counter clockwise to ignite.
- After the gas ignites, keep the knob pressed for 3-5 seconds more to engage the safety system.
- If the gas does not ignite after you press and release the knob, repeat the same procedure by keeping the knob pressed for 15 seconds.



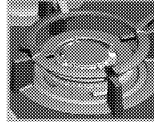
DANGER

Risk of deflagration incase of unburned gas!

Do not press the knob for longer than 15 seconds if there was no ignition.

Wait for one minute and then repeat the ignition process.

Wok burner



Wok burners help you to cook faster. Wok, which is particularly used in Asian kitchen is a kind of deep and flat fry-pan made of sheet metal, which is used to cook minced vegetable and meat at strong flame in a short time.

Since meals are cooked at strong flame and in a very short time in such fry-pans that conduct the heat rapidly and evenly, the nutrition value of the food is preserved and vegetables remain crispy. You can use wok burner for regular saucepans as well.

6 Maintenance and care

General information

Service life of the product will extend and the possibility of problems will decrease if the product is cleaned at regular intervals.



DANGER

Risk of electric shock!

Switch off the electricity before cleaning appliance to avoid an electric shock.



DANGER

Hot surfaces may cause burns!

Allow the appliance to cool down before you clean it.

- Clean the product thoroughly after each use. In this way it will be possible to remove cooking residues more easily, thus avoiding these from burning the next time the appliance is used.
- No special cleaning agents are required for cleaning the product. Use warm water with washing liquid, a soft cloth or sponge to clean the product and wipe it with a dry cloth.
- Always ensure any excess liquid is thoroughly wiped off after cleaning and any spillage is immediately wiped dry.
- Do not use cleaning agents that contain acid or chloride to clean the stainless or inox surfaces and the handle. Use a soft cloth with a liquid detergent (not abrasive) to wipe those parts clean, paying attention to sweep in one direction.



The surface may get damaged by some detergents or cleaning materials.

Do not use aggressive detergents, cleaning powder/cream or any sharp objects.



Do not use steam cleaners for cleaning.

Cleaning the hob

Gas hobs

1. Remove and clean the saucepan carriers and burner caps.
2. Clean the hob.

3. Install the burner caps and make sure that they are seated correctly.
4. When installing the upper grills, pay attention to place the saucepan carriers so that the burners are centered.

Glass ceramic surfaces

Wipe the glass ceramic surface using a piece of cloth dampened with cold water in a manner as not to leave any cleaning agent on it. Dry with a soft and dry cloth. Residues may cause damage on the glass ceramic surface when using the hob for the next time.

Dried residues on the glass ceramic surface should under no circumstances be scraped with hook blades, steel wool or similar tools. Remove calcium stains (yellow stains) by a small amount of lime remover such as vinegar or lemon juice. You can also use suitable commercially available products. If the surface is heavily soiled, apply the cleaning agent on a sponge and wait until it is absorbed well. Then, clean the surface of the hob with a damp cloth.



Sugar-based foods such as thick cream and syrup must be cleaned promptly without waiting the surface to cool down. Otherwise, glass ceramic surface may be damaged permanently.

Slight color fading may occur on coatings or other surfaces in time. This will not affect operation of the product.

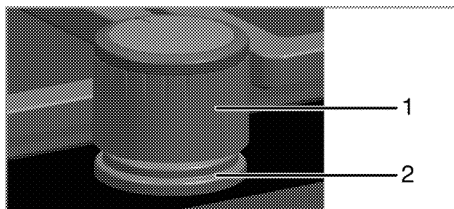
Color fading and stains on the glass ceramic surface is a normal condition, and not a defect.

Cleaning the control panel

Clean the control panel and knobs with a damp cloth and wipe them dry.



Damage of the control panel!
Do not remove the control knobs for control panel cleaning.



- 1 Knob
- 2 Sealing element



Do not remove the sealing elements under the knobs for cleaning.

7 Troubleshooting

There is no gas.

Main gas valve is closed.	Open gas valve.
---------------------------	-----------------

Gas pipe is bent.	Install gas pipe properly.
-------------------	----------------------------

There is no ignition spark.

No current.	Check fuses in the fuse box.
-------------	------------------------------

Burners are not burning properly or at all.

Burners are dirty.	Clean burner components.
--------------------	--------------------------

Burners are wet.	Dry the burner components.
------------------	----------------------------

Burner cap is not mounted safely.	Mount the burner cap properly.
-----------------------------------	--------------------------------

Gas valve is closed.	Open gas valve.
----------------------	-----------------

Gas cylinder is empty (when using LPG).	Replace gas cylinder.
---	-----------------------



Consult the Authorised Service Agent or the dealer where you have purchased the product if you can not remedy the trouble although you have implemented the instructions in this section. Never attempt to repair a defective product yourself.

Prosimy zacząć od przeczytania tej instrukcji!

Szanowny Kliencie,

Życzymy satysfakcji z użytkowania naszego wyrobu, który wyprodukowano w nowoczesnym zakładzie i poddano wymagającym procedurom kontroli jakości.

Radzimy zatem uważnie przeczytać niniejszą Instrukcję przed jego pierwszym użyciem i zachować ją do wglądu w przyszłości. Jeśli przekażecie ten wyrób komuś innemu, oddajcie mu także tę Instrukcję.

Niniejsza Instrukcja Użytkowania pomoże sprawnie i bezpiecznie korzystać z tego wyrobu.

- Przeczytaj tę Instrukcję Użytkowania przed zainstalowaniem i uruchomieniem wyrobu.
 - Instrukcje zachowania bezpieczeństwa muszą być ściśle przestrzegane.
 - Zachowaj niniejszą Instrukcję Użytkowania pod ręką do wglądu w przyszłości.
 - Przeczytaj także inne dostarczone z tym wyrobem dokumenty.
- Pamiętaj, że niniejsza Instrukcja Użytkowania może odnosić się także do kilku innych modeli. Różnice pomiędzy modelami wyraźnie wskazano w niniejszej instrukcji.

Objaśnienie symboli

W niniejszej Instrukcji Użytkowania stosuje się następujące symbole:



Ważna informacja lub przydatna wskazówka dot. użytkowania



Ostrzeżenie przed zagrożeniem dla życia i mienia.



Ostrzeżenie przed porażeniem elektrycznym.



Ostrzeżenie przed zagrożeniem pożarem.



Ostrzeżenie przed gorącymi powierzchniami.

Niniejsze urządzenie jest zgodne z następującymi

Dyrektywami Unii Europejskiej:

- 2006/95/WE LVD (Niskie Napięcia)

- 2004/108/WE EMC (Kompatybilność Elektromagnetyczna)

Importer: Beko S.A.

ul. Cybernetyki 7, 02-677 Warszawa



1 Informacje ogólne 4

Opis urządzenia	4
Dane techniczne	5
Akcesoria	5
Tabela wtryskiwacza	5

2 Ważne instrukcje zachowania bezpieczeństwa 6

Ogólne instrukcje zachowania bezpieczeństwa	6
Bezpieczeństwo przy pracy z gazem	6
Zamierzone przeznaczenie	7
Bezpieczeństwo dzieci	7

3 Instalacja 8

Przed zainstalowaniem	8
Instalacja i przyłączenie	9
Zmiana rodzaju gazu	10
Pozbywanie się odpadów	11
Pozbywanie się materiałów opakowaniowych	11
Przyszły transport	11

Stare urządzenia	12
------------------------	----

4 Przygotowanie 13

Jak oszczędzać energię	13
Pierwszy raz	13
Pierwsze czyszczenie	13

5 Jak używać płyty kuchennej 14

Ogólne informacje o gotowaniu	14
Użytkowanie płyt kuchennych	14

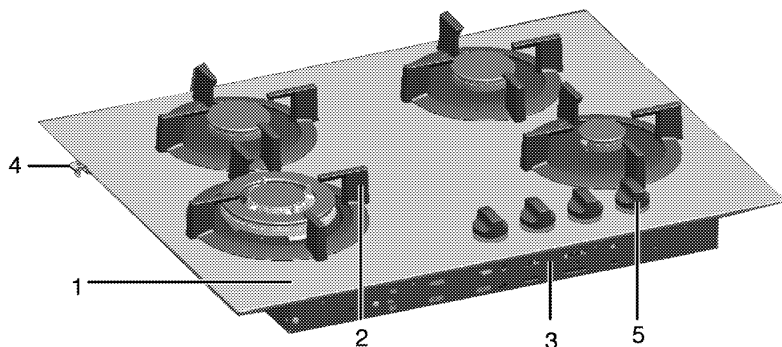
6 Czyszczenie i konserwacja 16

Informacje ogólne	16
Oczyszczenie płyty	16
Czyszczenie panelu sterowania	17

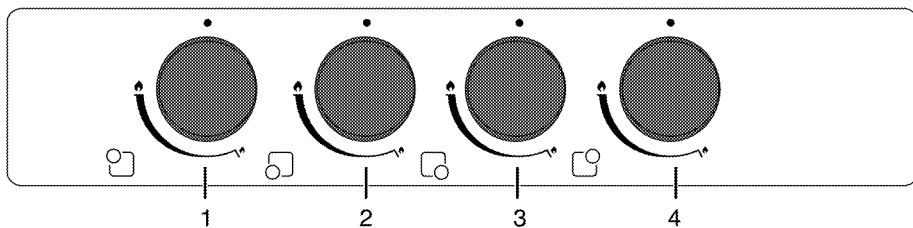
7 Rozwiązywanie problemów 18

1 Informacje ogólne

Opis urządzenia



- | | | | |
|---|------------------|---|------------------|
| 1 | Szkło hartowane | 4 | Klamra montażowa |
| 2 | Podpora garnka | 5 | Panel sterowania |
| 3 | Pokrywa podstawy | | |



- | | | | |
|---|------------------------------|---|---------------------------------|
| 1 | Palnik normalny Tylny lewy | 3 | Palnik pomocniczy Przedni prawy |
| 2 | Palnik do woków Przedni lewy | 4 | Palnik normalny Tylny prawy |

Dane techniczne

Napięcie/częstotliwość	220-240 V ~ 50 Hz
Typ/ przekrój przewodu	H05RR-FG 3 x 0,75 mm ²
Długość przewodu	maks. 2 m
Kategoria wyrobu gazowego	II 2ELs3B/P
Typ/ciśnienia gazu	2E (G20)/20 mbar
Łączne zużycie gazu	7,8 kW
Konwersja na typ/ciśnienie gazu [§] - opcjonalna	2Ls(G2.350)/13 mbar 3B/P(G30)/37 mbar
Wymiary zewnętrzne (wys./szer./głęb.)	98 mm/694 mm/510 mm
Wymiary instalacyjne (szer./głęb.)	560 mm/480-490 mm
Palniki	
Tyłny lewy	Palnik normalny
Moc	1750 W
Przedni lewy	Palnik do woków
Moc	3300 W
Przedni prawy	Palnik pomocniczy
Moc	1000 W
Tyłny prawy	Palnik normalny
Moc	1750 W



Dane techniczne mogą zostać zmienione bez uprzedzenia w celu poprawy jakości wyrobu.



Rysunki w tej instrukcji są schematyczne i mogą się nieco różnić od danego wyrobu.



Wartości podane na etykietkach wyrobu lub w towarzyszącej mu dokumentacji uzyskano w warunkach laboratoryjnych zgodnie z odpowiednimi normami. Wartości te mogą się różnić zależnie od operacyjnych i środowiskowych warunków pracy danego wyrobu.

Akcesoria



Dostarczane akcesoria różnią się zależnie od modelu wyrobu. Niektóre z akcesoriów opisanych w instrukcji obsługi mogą nie być dostarczane razem z tym modelem produktu.

Tabela wtryskiwacza

Pozycja strefy płyty kuchennej	1750 W Tyłny lewy	3300 W Przedni lewy	1000 W Przedni prawy	1750 W Tyłny prawy
Typ/ciśnienia gazu				
2E (G20)/20 mbar	97	140	72	97
3B/P(G30)/37 mbar	65	88	47	65
2Ls(G2.350)/13 mbar	128	200	95	128

2 Ważne instrukcje zachowania bezpieczeństwa

W rozdziale tym zawarto instrukcje zachowania bezpieczeństwa, które pomogą uniknąć zagrożenia obrażeniem lub szkodą. Nieprzestrzeganie tych instrukcji unieważnia wszelkie gwarancje.

Ogólne instrukcje zachowania bezpieczeństwa

- Wyrób ten nie jest przeznaczony do użytkowania przez osoby z zaburzeniami funkcji fizycznych, czuciowych lub umysłowych, a także przez osoby niewykształcone lub niedoświadczone (w tym dzieci), o ile nie są pod nadzorem osoby odpowiedzialnej za ich bezpieczeństwo lub która odpowiednio pouczy je, jak użytkować ten wyrób.
Dzieci muszą być nadzorowane, aby zapobiec manipulowaniu przy wyrobie.
- Przyłącz ten wyrób do uziemionego gniazda/obwodu zabezpieczonego bezpiecznikiem o odpowiedniej specyfikacji podanej w tabeli „Dane techniczne”. Zleć wykonanie instalacji uziemienia wykwalifikowanemu elektrykowi, niezależnie od tego, czy używasz transformatora do zasilania. Firma nasza nie odpowiada za żadne szkody wynikłe z użytkowania tego wyrobu bez uziemienia, zgodnie z przepisami miejscowymi.
- Aby uniknąć zagrożenie w przypadku uszkodzenia przewodu zasilającego, musi go wymienić producent, punkt serwisowy lub wykwalifikowany elektryk.
- Nie wolno uruchamiać tego wyrobu, jeśli jeśli jest niesprawny lub widocznie uszkodzony.
- Nie wolno wykonywać żadnych napraw ani modyfikacji tego wyrobu. Można jednak zaradzić niektórym niesprawnościom, które nie wymagają napraw ani modyfikacji. Patrz *Rozwiązywanie problemów, strona 18*.
- Nie wolno myć tego wyrobu wodą! Grozi to porażeniem elektrycznym!

- Nigdy nie wolno używać tego wyrobu w stanie zakłócenia oceny sytuacji lub koordynacji przez konsumpcję alkoholu i/lub innych środków odmieniających świadomość.
- Wyrób musi być odłączony od sieci w trakcie instalacji, konserwacji, czyszczenia i napraw.
- Zachowaj ostrożność, jeśli w potrawach stosuje się napoje alkoholowe. W wysokiej temperaturze alkohol paruje i może się zapalić po zetknięciu z gorącymi powierzchniami.
- Nie podgrzewaj w piekarniku zamkniętych puszek ani szklanych słoików. Ciśnienie, które wytworzy się w takim słoiku, może go rozsadzić.
- Nie umieszczaj żadnych materiałów łatwopalnych w pobliżu tego wyrobu, ponieważ jego boki bardzo się nagrzewają przy pracy.
- Należy dbać, aby żaden otwór wentylacyjny nie był zakryty.
- Upewnij się, że po każdym użyciu wyrób ten jest wyłączany.



Produkt musi zostać zainstalowany przez wykwalifikowaną osobę i zgodnie z obowiązującymi przepisami. W przeciwnym gwarancja zostanie unieważniona.

Bezpieczeństwo przy pracy z gazem

- Wszelkie prace na urządzeniach i instalacjach gazowych mogą prowadzić wyłącznie autoryzowany i kwalifikowany personel.
- "Przed instalacją należy upewnić się, że warunki w miejscowej sieci rozdzielczej (rodzaj i ciśnienia gazu) są kompatybilne z ustawieniami urządzenia."
- "Urządzenie to nie jest przyłączone do systemu usuwania produktów spalania. Należy je zainstalować i przyłączyć zgodnie z obowiązującymi przepisami instalacyjnymi. Szczególną uwagę należy zwrócić na odnośne wymogi dotyczące wentylacji;" Patrz *Przed zainstalowaniem, strona 8*
- "UWAGA": Skutkiem użytkowania kuchenki gazowej jest ciepło, wilgoć oraz produkty

spalania w pomieszczeniu, w którym ją zainstalowano. Należy zapewnić dobre przewietrzanie kuchni, zwłaszcza w czasie użytkowania kuchenki: utrzymywać naturalne otwory drożne lub zainstalować wentylator mechaniczny (okap z wyciągiem mechanicznym). Długotrwałe intensywne użytkowanie tego urządzenia może wymagać dodatkowej wentylacji, np. poprzez zwiększenie poziomu wentylacji mechanicznej tam, gdzie jest obecna.”

- Prawidłowe funkcjonowanie urządzeń i systemów gazowych trzeba regularnie kontrolować. Regulator, crevo i njegova stezaljka se moraju redovno proveravati i zameniti u vremenskom roku preporučenom od strane proizvođača ili kada je potrebno.
- Regularnie czyść palniki gazowe. Płomienie powinny być błękitne i powinny palić się równo.
- W urządzeniach gazowych potrzeba dobrego spalania. W razie niecałkowitego spalania może powstawać tlenek węgla (CO). Tlenek węgla jest bezbarwnym, bezwonnym i bardzo trującym gazem o skutkach śmiertelnych nawet w bardzo małych dawkach.
- Poproś miejscowego dostawcę gazu o informację o telefonach alarmowych służb gazowych i środkach bezpieczeństwa na wypadek ulatniania się gazu.

Co robić, gdy poczuje się zapach gazu



ZAGROŻENIE

Zagrożenie wybuchem i skażeniem
Nie używaj otwartego ognia i nie pal.
Nie używaj żadnych przełączników elektrycznych (np. wyłącznika światła, czy dzwonka u drzwi).
Nie używaj telefonu stacjonarnego ani komórkowego.

1. Zamknij wszystkie zawory na urządzeniu gazowym i gazomierzach.
2. Otwórz drzwi i okna.
3. Sprawdź szczelność wszystkich rur i połączeń. Jeśli nadal czuć gaz, wyjdź z mieszkania.
4. Ostrzeż sąsiadów.
5. Wezwij straż pożarną. Użyj telefonu poza domem.
6. Nie wracajcie na teren nieruchomości, dopóki nie zostanie zapewnione bezpieczeństwo.

Zamierzone przeznaczenie

Wyrób ten przeznaczony jest do użytku domowego. Nie dopuszcza się użytkowania komercyjnego. "UWAGA: Urządzenie to służy wyłącznie do pieczenia potraw. Nie wolno używać go do innych celów, na przykład do ogrzewania pomieszczeń." Producent nie odpowiada za szkody spowodowane niewłaściwym użytkowaniem tego wyrobu lub obchodzeniem się z nim.

Bezpieczeństwo dzieci

- Urządzenia elektryczne i gazowe są niebezpieczne dla dzieci. Należy trzymać dzieci z dala od tego wyrobu w trakcie jego pracy i nie pozwalać im na zabawę nim.
- Gdy urządzenie pracuje, jego dostępne części nagrzewają się znacznie, a więc do czasu jego ostygnięcia należy trzymać dzieci z dala od niego.
- Nie stawiać na urządzeniu żadnych przedmiotów, po które mogłyby sięgać dzieci.
- Materiały opakowaniowe mogą być niebezpieczne dla dzieci. Trzymać materiały opakowaniowe z dala od dzieci. Prosimy pozbyć się całego opakowania zgodnie z normami ochrony środowiska.

3 Instalacja



Przygotowanie miejsca do instalacji i dostępu do sieci elektrycznej i gazowej to obowiązek klienta.



ZAGROŻENIE

Urządzenie to należy instalować zgodnie z miejscowymi przepisami dot. instalacji gazowych i elektrycznych.



ZAGROŻENIE

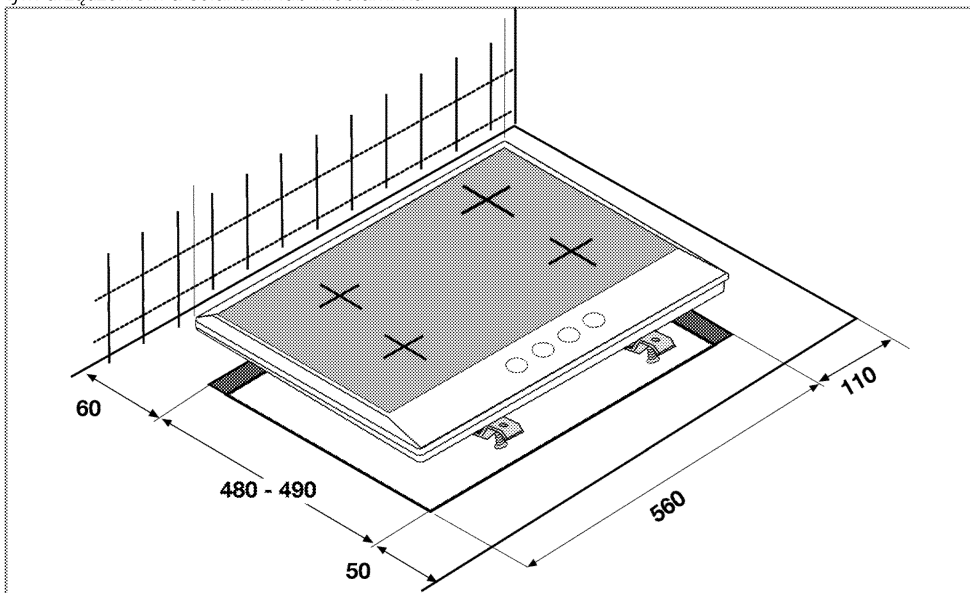
Przed zainstalowaniem sprawdź, czy wyrób nie ma widocznych defektów. ełsi ma, nie instaluj go. Uszkodzone wyroby zagrażają Twemu bezpieczeństwu.

chennymi należy pozostawić bezpieczny odstęp. Patrz: rysunek (wymiary w mm)

- Można go także używać w pozycji wolnostojącej. Zachowaj minimalny odstęp 750 mm ponad powierzchnią płyty kuchennej.
- (*) Jeśli nad kuchenką ma być zainstalowany wyciąg, sprawdź wysokość instalacji w instrukcji wytwórcy wyciągu (min. 650 mm).
- Usuń materiały opakowaniowe i blokady do transportu.
- Powierzchnie zastosowanych syntetycznych laminatów i lepiszczy muszą być odporne na wysoką temperaturę (minimum 100 °C).
- Błat trzeba ułożyć poziomo i przytwierdzić.
- W blacie wytnij otwór na płytę kuchenną zgodnie z wymiarami instalacyjnymi.

Przed zainstalowaniem

Płyta kuchenna przeznaczona jest do zainstalowania w dostępnych w handlu blatach. Pomiędzy tym urządzeniem a ścianami lub meblami ku-



Wentylacja pomieszczenia

W każdym pomieszczeniu powinno być otwierane okno lub jego równoważnik, a w niektórych pomieszczeniach potrzeba także stałej wentylacji. Powietrze do spalania pobierane jest z pomieszczenia, bezpośrednio do pomieszczenia ulatniają się spaliny.

Dobra wentylacja pomieszczenia jest niezwykle ważna dla pracy tego urządzenia. Jeśli pomieszczenia nie można wietrzyć oknem lub drzwiami, należy zainstalować dodatkową wentylację. Urządzenie można umieścić w kuchni, kuchni/jadalni lub w pokoju dziennym, a nawet sypialni, ale nie w pomieszczeniu zawierającym wannę

lub przysznic. Urządzenia nie wolno instalować w pokoju dziennym mniejszym niż 20 m².³
 Nie instaluj tego urządzenia w pomieszczeniu poniżej poziomu ziemi, chyba że jest co najmniej z jednej strony otwarte na tym poziomie.


Rozmiar pomieszczenia	Otwór wentylacyjny
mniejsze niż 5 m ³	min. 100 cm ²
5 m ³ do 10 m ³	min. 50 cm ²
większe niż 10 m ³ den	nie potrzeba
W piwnicy	min. 65 cm ²

Instalacja i przyłączenie


- Urządzenie to należy instalować zgodnie z miejscowymi przepisami dot. instalacji gazowych i elektrycznych.

Przyłączenie elektryczne

Przyłącz ten wyrób do uziemionego gniazdka/obwodu zabezpieczonego bezpiecznikiem o odpowiedniej specyfikacji podanej w tabeli „Dane techniczne”. Zleć wykonanie instalacji uziemienia wykwalifikowanemu elektrykowi, niezależnie od tego, czy używasz transformatora do zasilania. Firma nasza nie odpowiada za żadne szkody wynikłe z użytkowania tego wyrobu bez uziemienia, zgodnie z przepisami miejscowymi.




ZAGROŻENIE
 Zagrożenie porażeniem elektrycznym, zwarciem lub pożarem z powodu niefachowej instalacji!
 Urządzenie to może zostać przyłączone do zasilania tylko przez upoważnioną kwalifikowaną osobę i gwarancja na nie obowiązuje dopiero po poprawnym zainstalowaniu.



ZAGROŻENIE
 Zagrożenie porażeniem elektrycznym, zwarciem lub pożarem od uszkodzonego przewodu zasilającego!
 Przewodu zasilającego nie można kłamać, zginać i przyciskać, ani stykać z gorącymi częściami urządzenia.
 Jeśli uszkodzi się przewód zasilający, musi wymienić go kwalifikowany elektryk.

- Przyłączenie musi być zgodne z przepisami krajowymi.

- Parametry zasilania muszą odpowiadać danym podanym na tabliczce znamionowej urządzenia. Tabliczka znamionowa umieszczona jest na tylnej obudowie urządzenia.
- Przewód zasilający ten wyrób musi odpowiadać parametrom podanym w tabeli "Dane techniczne".




ZAGROŻENIE
 Zagrożenie porażeniem elektrycznością!
 Przed podjęciem jakichkolwiek prac przy instalacji elektrycznej, prosimy odłączyć to urządzenie od zasilania.




Wtyczka przewodu zasilającego musi być łatwo dostępna po zainstalowaniu (nie prowadzić przewodu ponad płytę kuchenną).

Włóż wtyczkę przewodu zasilającego do gniazdka.

Złącze gazowe




ZAGROŻENIE
 Zagrożenie wybuchem lub skażeniem na skutek niefachowej instalacji.
 Urządzenie to może być [przyłączone do sieci gazowej tylko przez upoważnioną, wykwalifikowaną osobę.



ZAGROŻENIE
 Zagrożenie wybuchem!
 Przed podjęciem jakichkolwiek prac przy instalacji gazowych, prosimy odciąć zasilanie gazem.

- Warunki i wartości zasilania w gaz podane są na etykietach (lub tabliczce znamionowej).



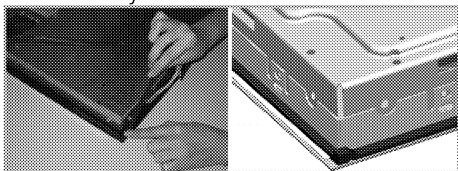
Kuchenska ta przystosowana jest do zasilania gazem ziemnym.

- Przez zainstalowaniem tego wyrobu trzeba przygotować instalację gazu ziemnego.
- Na wyjściu z instalacji przyłącza gazu ziemnego do tego wyrobu musi być giętka rura, a jej końcówka musi być zamknięta wtyczką. Przy przyłączaniu pracownik serwisu wyjmie zatyczkę i przyłączy urządzenie za pomocą prostego złącza (mufy).
- Upewnij się, że jest łatwy dostęp do zaworu gazu ziemnego.
- Jeśli później zechcesz używać tego urządzenia zasilając go innego typu gazem,

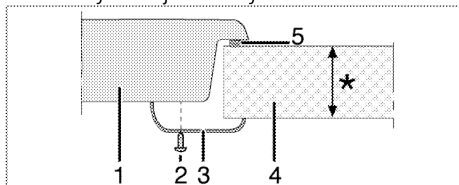
musisz skonsultować się z upoważnionym serwisem w sprawie odnośnej procedury konwersji.

Instalowanie wyrobu

1. Z płyty kuchennej zdejmij palniki, nakrywki palników i kratki.
2. Odwróć płytę kuchenną do góry dnem i połóż ją na płaskiej powierzchni.
1. W trakcie instalacji płyty na dolne zagiecie obudowy wokół niej należy założyć dostarczoną w pakiecie uszczelkę, jak pokazano na rysunku.



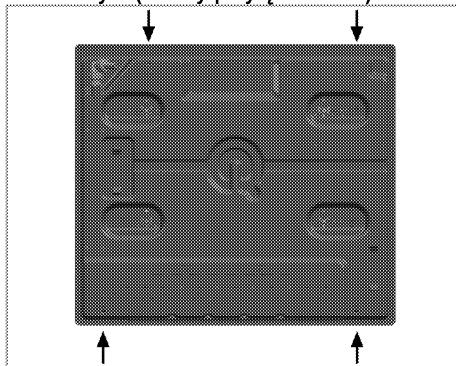
2. Ustaw płytę na blacie i wyrównaj.
3. Płytę kuchenną można umocować w blacie dostarczonymi klamrami wprowadzanymi w otwory dolnej obudowy.



* min. 20 i max. 40 mm

- 1 Płyta kuchenna
- 2 Śrubka
- 3 Klamra instalacyjna
- 4 Blat
- 5 Uszczelka

Widok z tyłu (otwory przyłączeniowe)



Po instalacji włóż z powrotem płytki palników, kołpaki płytek palników oraz grille na ich miejsca.



Przyłączenie poprzez różne otwory nie jest dobrą praktyką ze względów bezpieczeństwa, ponieważ może uszkodzić system gazowy i elektryczny.

Ostateczne sprawdzenie

1. Otwórz zasilenie gazem.
2. Sprawdź bezpieczeństwo pasowania i szczelność instalacji gazowych.
3. Zapal palniki i sprawdź wygląd płomienia.



Płomienie powinny być błękitne i palić się równo. Jeśli płomienie żółcieją, sprawdź, czy kołpak palnika pewnie siedzi albo oczyść palnik.

Zmiana rodzaju gazu



ZAGROŻENIE

Zagrożenie wybuchem!

Przed podjęciem jakichkolwiek prac przy instalacji gazowych, prosimy odciąć zasilanie gazem.

Aby zmienić typ gazu zasilającego to urządzenie wymienia się wszystkie wtryski i reguluje płomień na wszystkich zaworach przy ograniczonym przepływie gazu.

Ustawienie kurków płyty na ograniczony strumień gazu

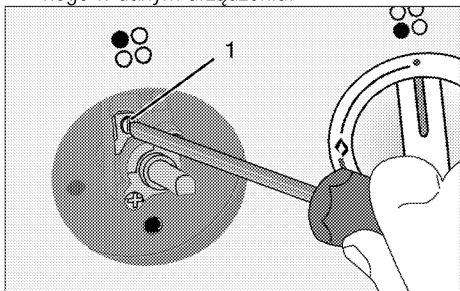
1. Zapal palnik, który ma być ustawiany i obróć pokrętkę do pozycji niskiego płomienia.
2. Zdejmij pokrętkę z kurka gazu.

3. Do ustawiania śruby regulacji przepływu należy używać śrubokręta o odpowiednim rozmiarze.

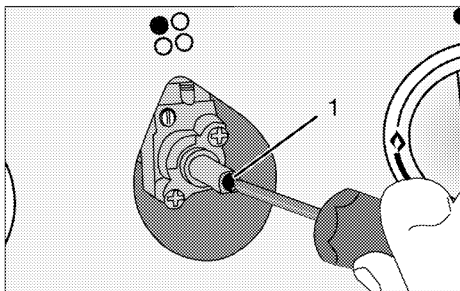
Dla gazu płynnego (butan/propan) należy raz obrócić tę śrubę w prawo. Dla gazu ziemnego należy raz obrócić tę śrubę **w lewo**.

» Normalna długość wyprostowanego płomienia w stanie ograniczenia wynosi 6-7 mm.

4. Jeśli płomień sięga wyżej, niż należy, obróć śrubę zgodnie z ruchem wskazówek zegara. Jeśli jest zbyt mały, obróć ją w lewo.
5. Na koniec kontroli ustaw palnik na płomień wysoki a potem na zredukowany i sprawdź, czy płomień utrzymuje się.
6. Pozycja śruby regulacyjnej może się różnić, zależnie od typu kurka gazowego zastosowanego w danym urządzeniu.



1 Śruba regulacji przepływu



1 Śruba regulacji przepływu

i Jeśli zmieniono rodzaj gazu zasilającego urządzenie, wówczas trzeba także zmienić tabliczkę znamionową, gdzie rodzaj gazu jest podany.

Pozbywanie się odpadów

Pozbywanie się materiałów opakowaniowych

- Materiały opakowaniowe są niebezpieczne dla dzieci. Należy trzymać je w bezpiecznym miejscu, niedostępne dla dzieci. Opakowanie tego wyrobu wyprodukowano z surowców wtórnych. Należy odpowiednio się ich pozbywać i sortować je zgodnie z instrukcjami gospodarki surowcami wtórnymi. Nie należy ich wyrzucać razem ze zwykłymi odpadkami domowymi.

Przyszły transport

- Zachowaj oryginalne pudło kartonowe na piekarnik i transportuj go w nim. Przestrzegaj instrukcji na pudle. Jeśli nie masz oryginalnego pudła, zapakuj piekarnik w folię bąbelkową lub grubą tekturę i zabezpiecz taśmą klejącą.
- Zabezpiecz taśmą klejącą kołpaki i podstawki od garnki.



Sprawdź, czy piekarnik nie uległ w transporcie widocznym uszkodzeniom.

Stare urządzenia

To urządzenie jest oznaczone zgodnie z Dyrektywą Europejską 2002/96/WE oraz polską Ustawą o zużytych sprzęcie elektrycznym i elektronicznym symbolem przekreślonego kontenera na odpady.



Takie oznakowanie informuje, że sprzęt ten, po okresie jego użytkowania nie może być umieszczany łącznie z innymi odpadami pochodzącymi z gospodarstwa domowego.

Prowadzący zbieranie, w tym lokalne punkty zbiórki, sklepy oraz gminne jednostki, tworzą odpowiedni system umożliwiający oddanie tego sprzętu.

Właściwe postępowanie ze zużytym sprzętem elektrycznym i elektronicznym przyczynia się do uniknięcia szkodliwych dla zdrowia ludzi i środowiska naturalnego konsekwencji, wynikających z obecności składników niebezpiecznych oraz niewłaściwego składowania i przetwarzania takiego sprzętu.

4 Przygotowanie

Jak oszczędzać energię

Następujące wskazówki pomogą użytkownikowi urządzenie w sposób ekologiczny oraz energooszczędny.

- Rozmrażaj mrożonki przed gotowaniem.
- Do gotowania używaj garnków/rondli z pokrywkami. Gotowanie bez pokrywki może czterokrotnie zwiększyć pobór prądu.
- Gotuj na palniku o średnicy odpowiadającej średnicy garnka. Zawsze wybieraj garnki o rozmiarze odpowiednim do potrawy. Większe garnki zużywają więcej prądu.

Pierwszy raz

Pierwsze czyszczenie



Pewne detergenty lub środki czyszczące mogą uszkodzić powierzchnię.

Nie używaj agresywnych detergentów, proszku/mleczka do czyszczenia, ani żadnych ostrych przedmiotów.

1. Usuń wszystkie materiały opakowaniowe.
2. Wytrzyj powierzchnie wyrobu wilgotną ściereczką lub gąbką i wytrzyj do sucha ściereczką.

5 Jak używać płyty kuchennej

Ogólne informacje o gotowaniu



ZAGROŻENIE

Zagrożenie pożarem od przegrzanego oleju!

Nie pozostawiaj podgrzewanego oleju bez dozoru.

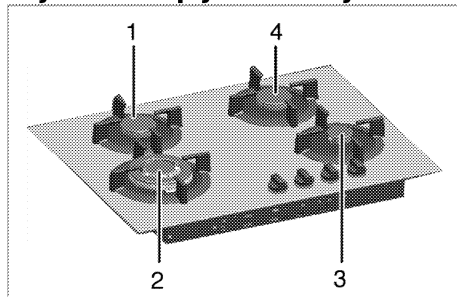
Nie gaś ognia wodą! Gdy olej się zapali, należy natychmiast przykryć garnek lub patelnię pokrywką. Gdy już będzie to bezpieczne należy wyłączyć kuchenkę i zatelefonować po straż pożarną.

- Przed smażeniem potrawy zawsze dokładnie ją osusz, a potem delikatnie ją połóż na gorącym oleju. Przed smażeniem mrozonek upewnij się, że całkowicie odtajały.
- Nie przykrywaj naczynia, w którym podgrzewasz olej.
- Patelnie i rondle ustawiaj tak, aby ich trzonki nie były nad płytą, co zapobiegnie ich nagrzewaniu się. Nie stawiaj na płycie naczyń niewyważonych i takich, które łatwo mogą się przechylić.
- Nie stawiaj pustych naczyń ani garnków na załączonych strefach gotowania. Mogą się uszkodzić.
- Załączenie strefy gotowania, na której nie stoi żadno naczynie ani garnek, może uszkodzić ten wyrób. Po zakończeniu gotowania wyłącz strefy gotowania.
- Ponieważ powierzchnia tego wyrobu może być gorąca, nie stawiaj na niej naczyń plastikowych ani aluminiowych. W naczyniach takich także nie należy przechowywać żywności.
- Używaj tylko garnków i naczyń z płaskim dnem.
- Do garnków i patelni wkładaj odpowiednie ilości żywności. Tym samym zapobiegasz oprzeleniu suse zawartosci naczynia, a więc unikasz niepotrzebnego czyszczenia. Nie kładź pokrywek garnków ani patelni na strefach gotowania. Garnki ustawiaj w środku strefy gotowania. Aby przenieść garnek do innej strefy gotowania, podnieś go i postaw w tej strefie zamiast go przesuwać.

Gotowanie na gazie

- Rozmiar naczynia musi odpowiadać wielkości płomienia. Nastaw płomień gazu tak, aby nie wystawał poza dno naczynia i ustaw naczynie w środku podstawki pod nie.

Użytkowanie płyt kuchennych



- 1 Palnik normalny 14-20 cm
- 2 Palnik do woków 22-30 cm
- 3 Palnik pomocniczy 12-18 cm
- 4 Palnik normalny 14-20cm to wykaz zalecanych średnic garnków do użytku na odnośnych palnikach.

Symbol dużego płomienia oznacza największą moc gotowania, symbol małego płomienia zaś oznacza moc najmniejszą. W pozycji wyłączonej (górnej) gaz nie dopływa do palników.

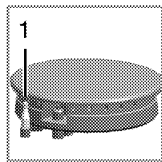
Zapalanie palników gazowych

1. Wciśnij i przytrzymaj pokrętko palnika.
 2. Obróć je w lewo, do symbolu dużego płomienia.
- » Gaz zapala się od wywołanej iskry.
3. Nastaw wymaganą moc gotowania.

Wyłączanie palników gazowych

Obróć pokrętko strefy utrzymywania w ciepłe w pozycję wyłączoną (górną).

System bezpiecznego odcinania dopływu gazu (w modelach z elementem termicznym)



1. Bezpieczne odcięcie dopływu gazu.

Jako środek zapobiegania wybuchowi skutkiem zalania palników przelewającym się płynem, mechanizm zabezpieczający automatycznie zmniejsza dopływ gazu i odcina go.

- Aby zapalić gaz, wciśnij pokrętkę i obróć je w lewo.
- Aby uruchomić to zabezpieczenie, po zapaleniu gazu przytrzymaj pokrętkę wciśniętą przez kolejne 3-5 sekund.
- Jeśli gaz nie zapalił się po wciśnięciu i zwolnieniu tego pokrętki, powtórz te same czynności utrzymując pokrętkę wciśniętą przez 15 sekund.

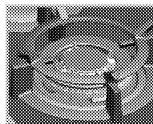


ZAGROŻENIE

Zagrożenie zapłonem w razie pozostawanie niewypalonego gazu!

Jeśli nie nastąpi zapłon, nie przyciskaj żadnego pokrętki dłużej niż 15 sekund. Oczekaj jedną minutę i powtórz proces zapalania.

Palnik do woków



Palniki do woków zapewniają szybsze gotowanie. Wok, zwłaszcza używany w kuchni azjatyckiej, to rodzaj głębokiej i płaskiej patelni zrobionej z blachy, używanej do szybkiego gotowania siekanych warzyw oraz mięsa na silnym płomieniu. Ponieważ potrawy są gotowane na silnym płomieniu i bardzo szybko w patelniach, które szybko i równomiernie przewodzą ciepło, zachowuje się wartość odżywcza potraw, a warzywa pozostają kruche. Palnika do woków można także używać do zwykłych rondli.

6 Czyszczenie i konserwacja

Informacje ogólne

Okres użytkowania tego wyrobu przedłuży się, a problemy stana się rzadsze, jeśli wyrób ten czyści się w regularnych odstępach czasu.



ZAGROŻENIE

Zagrożenie porażeniem elektrycznością!
Aby uniknąć porażenia elektrycznego, przed czyszczeniem urządzenie należy odłączyć od źródła zasilania.



ZAGROŻENIE

Można się poparzyć od gorących powierzchni!
Przed czyszczeniem piekarnika odczekaj, aż ostygnie.

- Po każdym użyciu dokładnie oczyść ten wyrób. Dzięki temu łatwiej będzie usuwać pozostałości pieczenia, unikając tym samym ich zapalenia się na następnym użyciu piekarnika.
- Do jego czyszczenia nie potrzeba żadnych specjalnych środków czyszczących. Wyrób ten czyści się miękką ściereczką lub gąbką i ciepłą wodą z mydłem w płynie, i wyciera suchą ściereczką.
- Pamiętaj, aby zawsze starannie wycierać nadmiar płynu po czyszczeniu i natychmiast wycierać wszystko, co się rozleje.
- Do czyszczenia powierzchni i klamki ze stali nierdzewnej nie używaj środków czyszczących zawierających kwas lub chlorek. Części te wyciera się do czysta miękką ściereczką z detergentem w płynie (nie w proszku), najlepiej ruchami w tym samym kierunku.



Pewne detergenty lub środki czyszczące mogą uszkodzić powierzchnię.
Nie używaj agresywnych detergentów, proszku/mleczka do czyszczenia, ani żadnych ostrych przedmiotów.



Do czyszczenia nie używaj urządzeń czyszczących parą.

Oczyszczenie płyty

Płyty gazowe

1. Wyjmij i oczyść podstawki pod garnki i kołpaki palników.
2. Oczyść płytę.
3. Załóż kołpaki na palniki i upewnij się, że leżą na nich jak należy.
4. Przy instalowaniu górnych grilli zwróć uwagę, na takie umieszczenie podstawek, aby palniki były w ich środku.

Powierzchnie szklano-ceramiczne

Przetrzyj powierzchnie ceramiczne ściereczką zamoczoną w zimnej wodzie w taki sposób, aby nie pozostały na nich resztki środka czyszczącego. Wytrzyj je do sucha miękką i suchą ściereczką. Pozostawione resztki mogą spowodować uszkodzenie powierzchni szklano-ceramicznej przy ponownym użyciu płyty. Zasztych na powierzchni szklano-ceramicznej resztek w żadnym razie nie należy skrobać żyletką, włną żelazną, ani podobnymi narzędziami.
Plamy wapienne (żółte) usuwa się niewielką ilością środka do czyszczenia z wapienia, np. octu lub soku z cytryny. Można także użyć odpowiednich środków dostępnych na rynku.
Jeśli powierzchnia jest bardzo zabrudzona, zamocz gąbkę w środku czyszczącym i odczekaj, aż nim nasiąknie. Następnie oczyść powierzchnię płyty wilgotną ściereczką.



Plamy z potraw o znacznej zawartości cukru, np. gęstego kremu lub syropu, trzeba czyścić bezzwłocznie, nie czekając aż zabrudzona powierzchnia ostygnie. W przeciwnym razie szklano-ceramiczna powierzchnia może ulec trwałemu uszkodzeniu.

Z czasem kolor powłok i innych powierzchni może z lekka blaknąć. Nie wpływa to na działanie kuchenki.

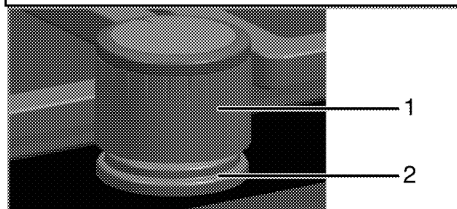
Blednięcie koloru i plamy na powierzchni szklano-ceramicznej to zjawiska normalne, a nie defekt.

Czyszczenie panelu sterowania

Panel sterowania i pokrętła czyści się wilgotną ściereczką i wyciera do sucha.



Uszkodzenie panelu sterowania!
Do czyszczenia panelu sterowania nie zdejmuj gałek pokręteł.



- 1 Pokrętło
- 2 Podkładki uszczelniające



Do czyszczenia nie zdejmuj podkładek uszczelniających spod pokręteł.

7 Rozwiązywanie problemów

Nie ma gazu.

Zamknięty jest kurek zasilania z sieci gazowej.

Odkręć kurek dopływu gazu.

Przewód doprowadzania gazu jest zagięty.

Prawidłowo zamontuj przewód doprowadzania gazu.

Nie zapala się iskra zapłonowa.

Nie ma prądu.

Sprawdź bezpiecznik w skrzynce bezpiecznikowej.

Palniki palą się nierówno albo wcale.

Palniki są brudne.

Oczyść elementy palników.

Palniki są mokre.

Osusz elementy palników.

Kołpak palnika nie trzyma się mocno.

Prawidłowo załóż elementy palnika.

Zamknięty jest kurek zasilania z sieci gazowej.

Odkręć kurek dopływu gazu.

Butla z gazem jest pusta (w przypadku zasilania gazem LPG).

Wymień butlę z gazem.



Jeśli pomimo postępowania według instrukcji z tego rozdziału problem pozostaje, skonsultuj się z autoryzowanym agentem serwisowym lub sprzedawcą piekarnika. Nie próbuj samemu naprawiać zepsutego piekarnika.

BEKO S.A., ul. Cybernetyki 7B, 02-677 Warszawa
www.beko.com.pl e-mail: serwis@beko.com.pl, fax 22 321 0 691

INFOLINIA 222 50 14 14



Podpis i pieczęć instalatora (z numerem uprawnienia) w przypadku montażu urządzeń gazowych lub płyt i piekarników elektrycznych

Aby otrzymać więcej informacji dotyczących serwisu np. gdzie kupić części zamienne lub akcesoria należy odwiedzić stronę internetową www.beko.com.pl i wybrać zakładkę serwis.

Proszę zarejestrować swoje urządzenie na www.beko.com.pl, a otrzymasz dodatkowe korzyści (szczegóły na stronie internetowej)

Warunki Gwarancji

1. **BEKO S.A.** gwarantuje, że sprzęt zakupiony jest wolny od wad fizycznych. Odpowiedzialność **BEKO S.A.** z tytułu gwarancji obejmuje tylko wady sprzętu powstałe z przyczyn tkwiących w sprzęcie sprzedanym Klientowi, które ujawnią się w ciągu terminu określonego w punkcie 2 niniejszych warunków (zwanego dalej „**Okresem Gwarancyjnym**”).

W razie ujawnienia takich wad sprzętu w Okresie Gwarancyjnym zostaną one usunięte na koszt **BEKO S.A.** w sposób uzależniony od właściwości wady, na zasadach i w zakresie określonym w niniejszych warunkach.

2. Okres gwarancji wynosi **24 miesiące** licząc od daty zakupu.

Udzielona gwarancja nie obejmuje urządzeń zakupionych później niż 36 miesięcy licząc od daty produkcji sprzętu zgodnie z numerem seryjnym znajdującym się na tabliczce znamionowej urządzenia.

3. Zakres i sposób przeprowadzenia naprawy gwarancyjnej sprzętu lub jego wymiany w ramach udzielonej gwarancji określa **BEKO S.A.**

4. Udzielona Gwarancja jest ważna na terenie Rzeczypospolitej Polskiej. Uprawnienia wynikające z gwarancji można zrealizować wyłącznie w Autoryzowanych Punktach Serwisowych **BEKO S.A.** po uprzednim zgłoszeniu na Infolinii **BEKO S.A.**

5. Wady powstałe z przyczyn tkwiących w sprzedanym sprzęcie ujawnione w Okresie Gwarancyjnym, będą usuwane na podstawie ważnego dowodu zakupu (faktura lub paragon) oraz w wymaganych przypadkach

stempla instalatora z numerami uprawnień do montażu instalacji gazowych lub elektrycznych (w przypadku podłączenia elektrycznych płyt grzewczych i piekarników),
Sprzęt o wadze do 10 kg zgłaszający wadę fizyczną Klient powinien dostarczyć do Autoryzowanego Serwisu BEKO S.A. po uprzednim telefonicznym kontakcie z infolinią BEKO S.A. wraz z dowodem zakupu oraz w oryginalnym opakowaniu fabrycznym.

Sprzęt do zabudowy powinien być udostępniony do naprawy przez klienta lub sprzedawcę w sposób umożliwiający przystąpienie do jego naprawy przez pracowników Autoryzowanego serwisu BEKO S.A.

Wady fizyczne sprzętu sprzedanego Klientowi będą usuwane w następujących terminach:

– 14 dni od daty dostarczenia sprzętu do Autoryzowanego Serwisu BEKO S.A. (w przypadku sprzętu o wadze do 10 kg),

– 21 dni licząc od daty telefonicznego zgłoszenia na infolinię BEKO S.A. wady fizycznej sprzętu, nieobjętego obowiązkiem dostarczenia do Autoryzowanego punktu serwisowego BEKO S.A.

6. Jeżeli wymieniona w ramach uprawnień wynikających z udzielonej gwarancji część jest sprowadzana z zagranicy, termin naprawy nie powinien przekroczyć 30 dni licząc od daty zgłoszenia. Przekroczenie terminu 30 dni naprawy dopuszczane jest przez BEKO S.A. jedynie w sytuacji, gdy usterka nie wpływa na poprawność funkcjonowania sprzętu.

7. Sprzęt jest przeznaczony wyłącznie do eksploatacji w warunkach indywidualnego gospodarstwa domowego pod rygorem utraty uprawnień wynikających z gwarancji. Użytkowanie sprzętu winno odbywać się zgodnie z instrukcją obsługi.

8. Udzielona przez BEKO S.A. gwarancja nie obejmuje:

a) Czynności przewidzianych w instrukcji obsługi do wykonania których zobowiązany jest użytkownik urządzenia we własnym zakresie i na swój koszt m. in. : instruktażu dotyczącego obsługi urządzenia, instalacji i podłączenia sprzętu, konserwacji, wymiany bezpieczników, żarówek przygotowania instalacji elektrycznej oraz regulacji urządzenia gazowego (w tym ustawienia płomienia oszczędnościowego palników) wymiana dysz, itp.

b) usterek powstałych w wyniku nieprawidłowego lub niewłaściwego użytkowania, niedbalstwa, przypadkowego uszkodzenia sprzętu, nieodpowiedniego napięcia prądu lub dokonania jakichkolwiek zmian, które mają wpływ na niewłaściwe działanie urządzenia i które naprawiane były przez osoby nieupoważnione, używania instalacji niezgodnych z Polskimi Normami i innych niż wymienione w instrukcji obsługi sprzętu.

c) uszkodzeń mechanicznych, termicznych, chemicznych, korozji oraz wszystkich innych spowodowanych działaniem użytkownika lub zaniedbaniem użytkownika sprzętu oraz powstałych na skutek działania sił zewnętrznych (w szczególności wyładowania atmosferyczne, skoki napięcia, wszelkiego rodzaju awarie domowej instalacji wodno-kanalizacyjnej, użytkowanie sprzętu niezgodnie z instrukcją obsługi itp) a także powstałych na skutek przedostania się zanieczyszczeń lub ciał obcych do sprzętu,

d) niepodlegają gwarancji elementy ze szkła i plastiku oraz odbarwienia,

e) usterek powstałych w wyniku niewłaściwego montażu sprzętu w zabudowie meblowej.

f) usterek powstałych na skutek przechowywania i użytkowania urządzenia w warunkach, które są niezgodne z normalnymi warunkami domowymi określonymi wymaganiami powszechnie obowiązujących przepisów prawa i Polskich Norm.

9. Koszt wezwania serwisu do wykonania czynności wymienionych w punkcie 8 ponosi użytkownik.

10. Gwarancja na sprzedany towar konsumpcyjny nie wyłącza, nie ogranicza ani nie zawiesza uprawnień kupującego wynikających z niezgodności towaru z umową.

